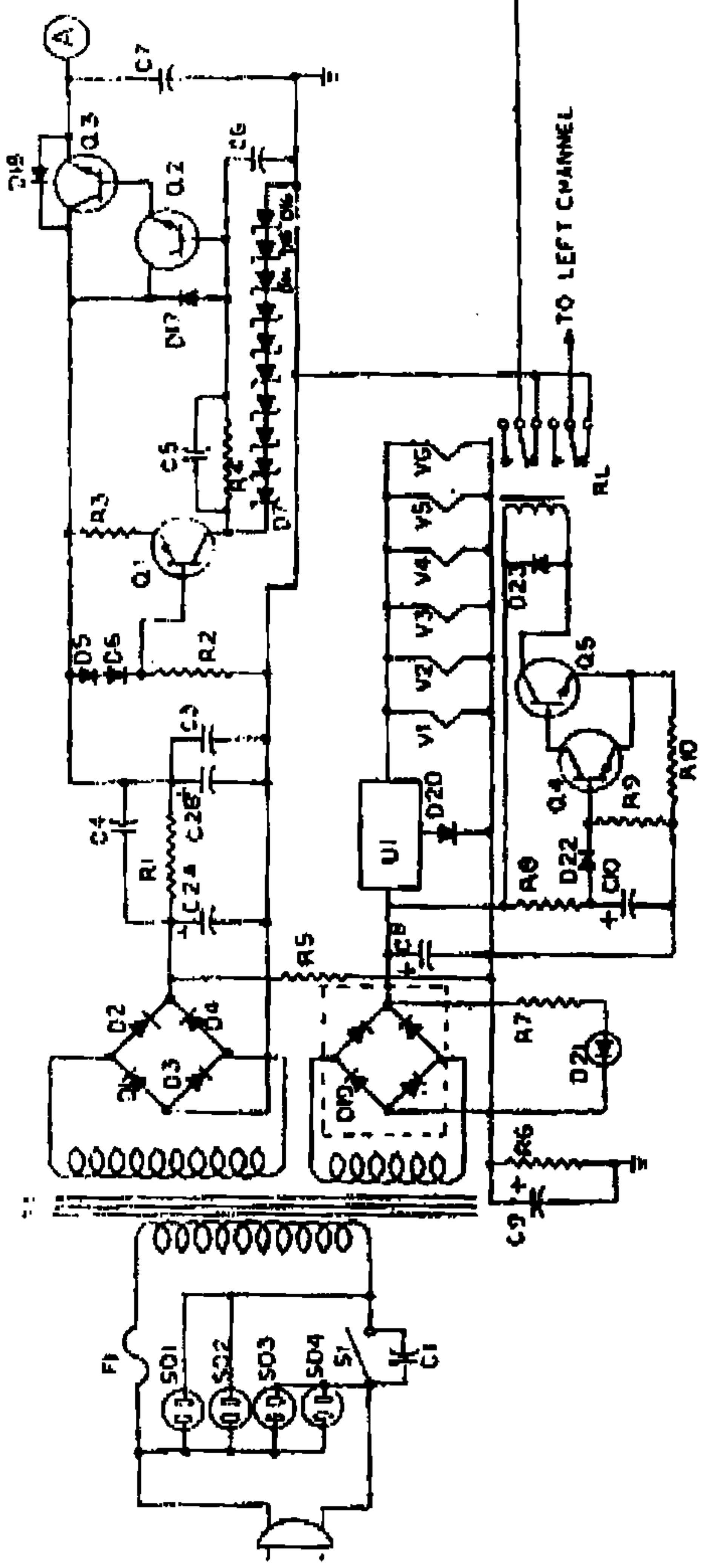
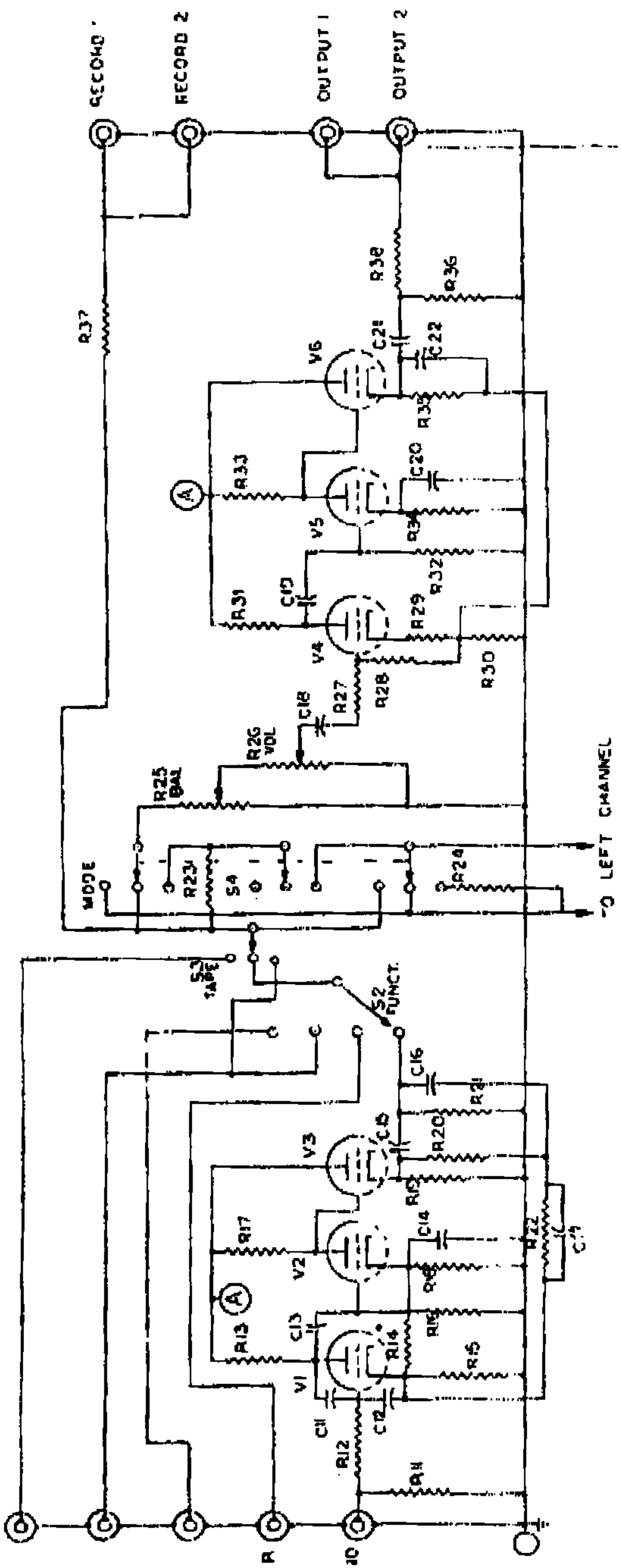


CONRAD JOHNSON DESIGN INC
1870 PATTERSON LANE MCLEAN VA
MODEL PV 6
DATE 1/63
DRAWN BJC
REVISION LEVEL
DRAWING NO



FV6 Parts List

component	value/rating	component	value/rating
R1	1.2K/3W	C21	2.0ufd 425v
R2	390K/1W	C22	10pf
R3	330	D1, 2, 3, 4	IN4007
R4	18.2K	D5, 6	IN4148
R5	910K	D7-D14	IN5257B
R6	91K	D15, 16	IN5254B
R7	3.3K	D17, 18, 20	IN4007
R8, 9	91K	D19	MDA200
R10	82/1W	D21	l.e.d.
R11	47.5K	D22, 23	IN4148
R12	2K	Q1	MPS-A92 2.6A
R13	221K/RN65	Q2	MPS-A42 2.8A
R14	75K	Q3	MJE340 1.5A
R15	1.5K	Q4	2N3904
R16, 21	1 Meg	Q5	MJE182
R17	121K/RN65	R1	Relay 12v
R18	909	T1	Triad 7812
R19	39.2K/RL42	F1	3/4A S.B.
R20	2.0 Meg	S01-4	AC outlets
R22	100K	S1	SPST sw.
R23, 24	10K	S2	DP4T selec.
R25	250K Bal.	S3	UPDT source/mon.
R26	100K Vol.	S4	4PDT stereo/rev.
R27	1K	V1	12AX7
R28, 32, 36	1 Meg	V2, 4, 5	5751
R29	221	V3, 6	12AT7
R30	1.1K	U1	LM340K/12v
R31, 33	150K/RN65		
R34	806		
R35	39.2K/RL42		
R37	475		
R38	100		
C1	.01 disc		
C2A, B	40, 40ufd 500v		
C3	.22ufd 630v		
C4	.15ufd 400v		
C5	.01ufd 630v		
C6	2.0ufd 425v		
C7	4.0ufd 425v		
C8	3500ufd 25v		
C9	22ufd 50v		
C10	220ufd 10v		
C11	10pf		
C12	47pf		
C13	.1 ufd 425v		
C14	270pf		
C15	2.0ufd 425v		
C16	2470pf		
C17	770pf		
C18	.47ufd 425v		
C19	.1ufd 425v		
C20	270pf		