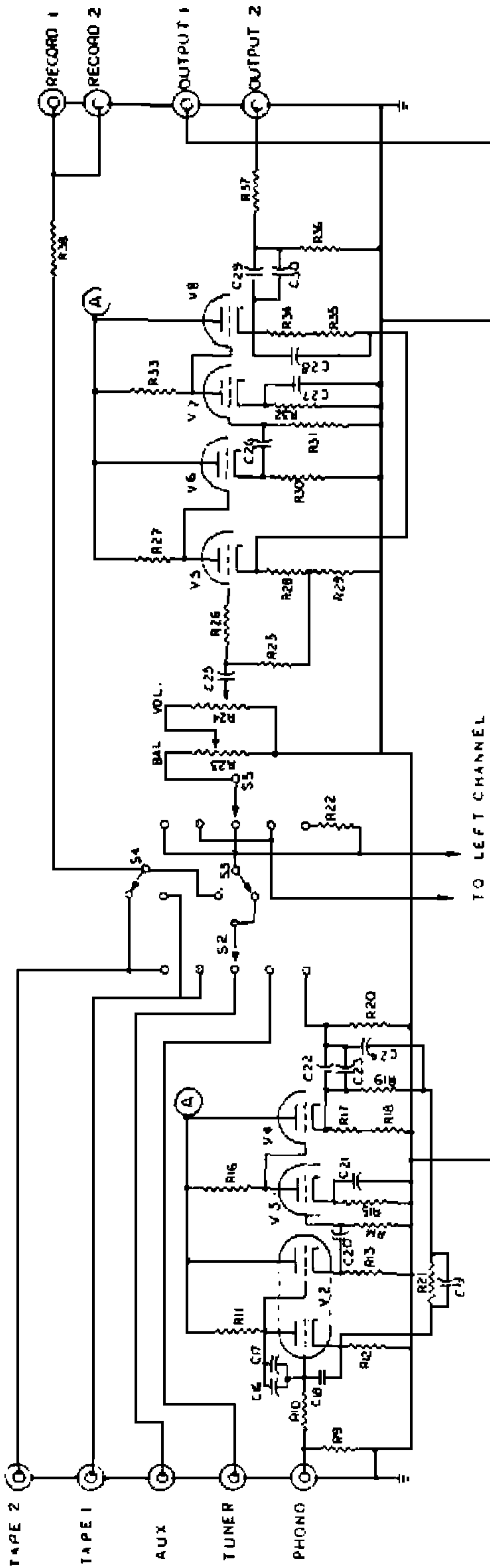
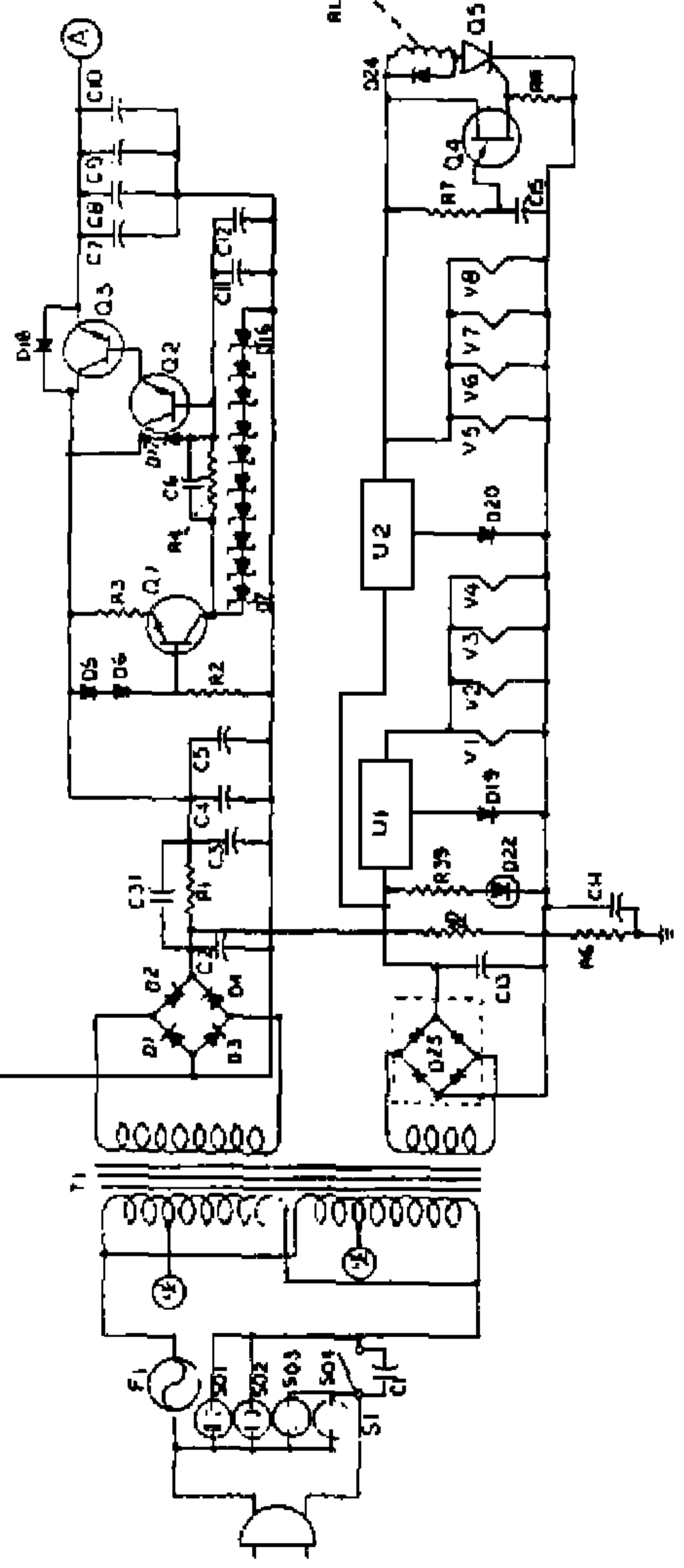


CONRAD-JOHNSON DESIGN INC  
 1474 PATHFINDER LANE M'LEAN VA  
 MODEL PV 5 REVISION LEVEL  
 DRAWN *gsc* DATE 1/29/63  
 DRAWING NO.

RIGHT CHANNEL



TO LEFT CHANNEL



TO LEFT OUTPUT

FV5 PARTS LIST

(Note: All resistors 1/2 watt unless otherwise designated)

component	value/rating	component	value/rating
R1	1.2K/3W W.W.	C21	150pf
R2	390K/1W	C22	2.2ufd/250v
R3	330	C23	.15ufd/200v
R4	18.2K	C24	3450pf
R5	910K	C25	.47ufd/100v
R6	91K	C26	.15ufd/400v
R7	1.2 Meg	C27	150pf
R8	47/1/4W	C28	10pf
R9	47.5K	C29	2.2ufd/250v
R10	2.0K	C30	.15ufd/200v
R11	221K	C31	.15ufd/400v
R12	768	D1, 2, 3, 4	IN4007
R13	82.5K/RN65	D5, 6	IN4148
R14, 20	1 Meg	D7-16	IN5257B
R15	806	D17, 18	IN4007
R16	150K/RN65	D19, 20	IN4007
R17, 18	20K/RN70	D21	IN4148
R19	1.82 Meg & 576K	D22	l.e.d.
R21	75K	D23	MDA 970A1
R22	10K	Q1	MPS A-92
R23	100K Bal.	Q2	MPS A-42
R24	100K Vol.	Q3	MJE 340
R25, 31, 36	1 Meg	U1, 2	MC7812CK
R26	1K	RL1	DPDT Relay
R27, 33	150K/RN65	T1	C126-128A
R28	221	F1	3/4A S.B.
R29	1.1K	S01, 2, 3, 4	AC outlets
R30	82.5K/RN65	S1	SPST sw
R32	806	S2	DP5T selec.
R34, 35	20K/RN70	S3	DPDT sw source/mon.
R37	47.5	S4	DPDT sw tape1/tape2
R38	475	S5	DP5T stereo/mono
R39	3.3K	V1, 2	12AX7
C1	.01 disc	V3, 5, 6, 7	5Y51
C2	60ufd/500v	V4, 6	5965A
C3	60ufd/500v	Q4	2N5061
C4	.15ufd/400v	Q5	2N4870
C5	2.0ufd/630v		
C6	.01ufd/400v		
C7, 8, 9, 11	2.2ufd/400v		
C10, 12	.15ufd/400v		
C13	3500ufd/25v		
C14	22ufd/50v		
C15	47ufd/16v		
C16, 17, 18	10pf		
C19	1,000pf & 47pf		
C20	.15ufd/400v		