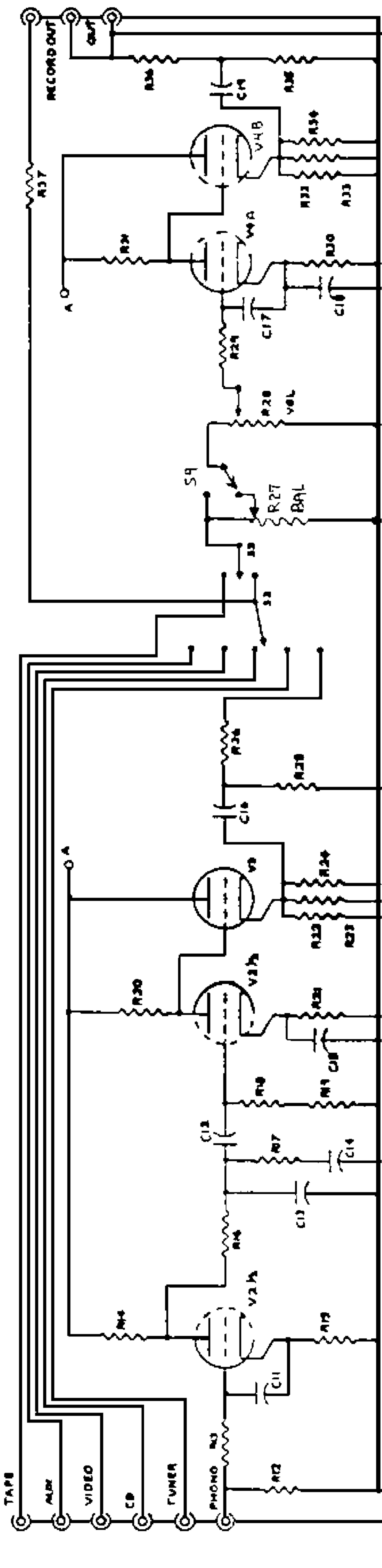
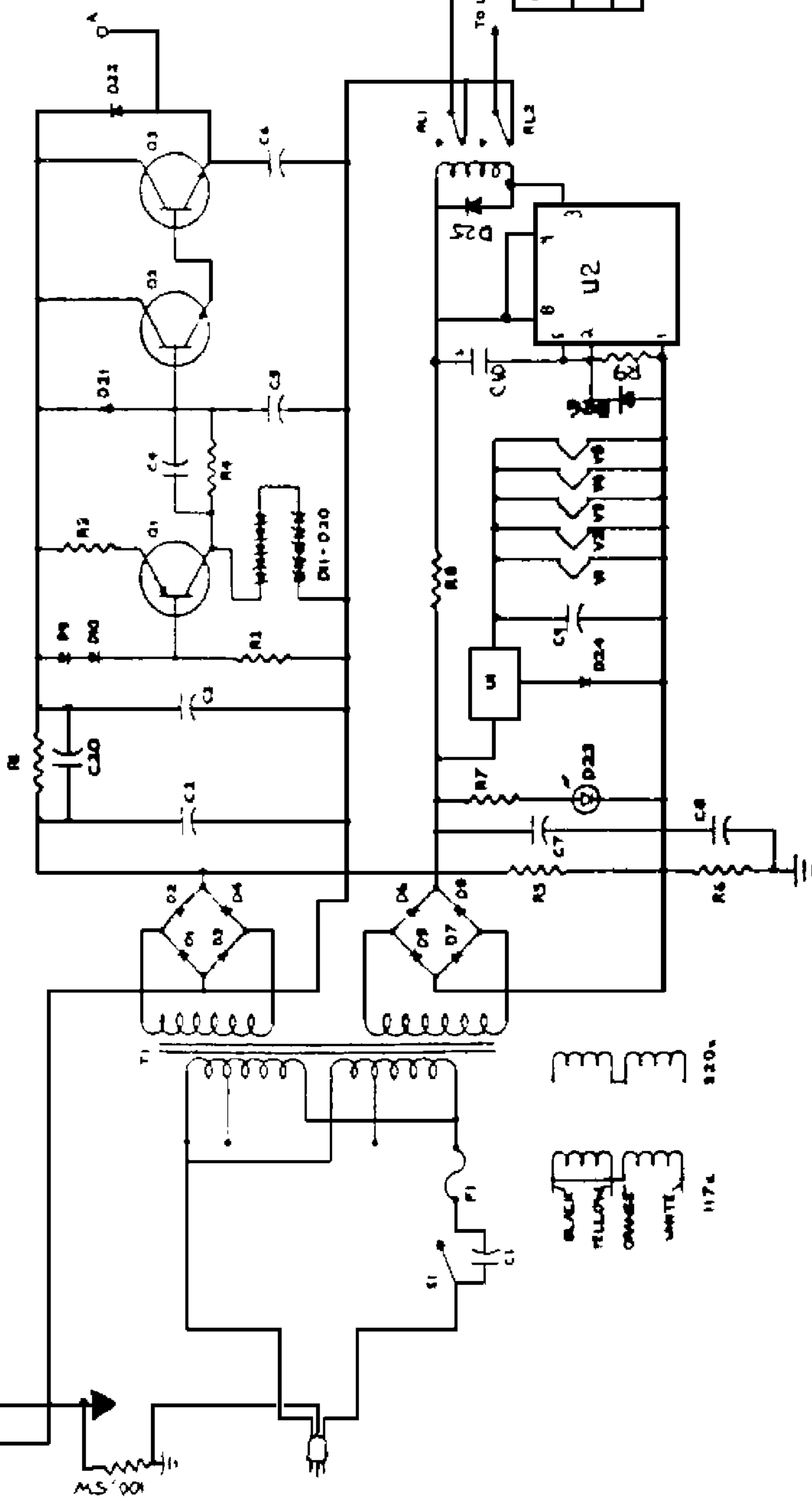


CONRAD-JOHNSON DESIGN INC	
2753 MERRILL DR FAIRFAX VA 22031	
MODEL PV10	REVISION A
DRAWN BY <i>[Signature]</i>	DATE 02/98



RIGHT CHANNEL SHOWN



- BLK
- YELLOW
- ORNG
- WHITE

MS '00

PV10A PARTS LIST

R1, 1.8K 2W (33K in LS)
 R2, 390K
 R3, 331 Ω
 R4, 18.2K
 R5, 910K
 R6, 91K
 R7, 3.3K
 R8, 82 Ω 1W
 R9, 910K
 R10, 1K
 R11, 47 Ω
 R12, 47.5K
 R13, 365 Ω
 R14, 221K VTA52
 R15, 845 Ω
 R16, 215K
 R17, 39.2K
 R18, 2.2M
 R19, 2.2M
 R20, 150K RN65
 R21, 1K
 R22, 121K RN65
 R23, 121K RN65
 R24, 121K RN65
 R25, 1m Ω
 R26, 47.5 Ω
 *R27, 100K bal. pot
 R28, 100K vol. pot
 R29, 47.5
 R30, 3.3K
 R31, 82.5 K RN65
 R32, 121K RN65
 R33, 121K RN65
 R34, 12K RN65
 R35, 1m
 R36, 47.5 Ω
 R37, 475 Ω
 C1, .01mf/250V (VDE)
 C2, 20mf/800V
 C3, 20mf/800V
 C4, .01mf/600V ps
 C5, 4mf/400V pp
 C6, 13.5mf/500V pp
 C7, 4700mf/35V elect
 C8, 22mf/50V elect
 C9, .47mf/200V pp
 C10, 47mf/35V elect
 C11, 47pf pp ps
 C12, .15mf/400V ps
 C13, 2600pf ps
 C14, 8000pf ps
 C15, 150pf ps
 C16, 4mf/400V pp
 C17, 10pf pp
 C18, 47pf pp
 C19, 4mf/400V pp
 C20, .15mf/400V pp

D1, μ F4007
 D2, μ F4007
 D3, μ F4007
 D4, μ F4007
 D5, FR302/GI854
 D6, FR302/GI854
 D7, FR302/GI854
 D8, FR302/GI854
 D9, IN4148
 D10, IN4148
 D11, IN5257
 D12, IN5257
 D13, IN5257
 D14, IN5257
 D15, IN5257
 D16, IN5257
 D17, IN5257
 D18, IN5257
 D19, IN5254
 D20, IN5254
 D21, IN4007
 D22, IN4007
 D23, l.e.d.
 D24, IN4007
 D25, ²⁶IN4148
 V1, 12AX7 left ch.
 V2, 12AX7 right ch.
 V3, 12AT7
 V4, ⁵12AU7
 Q1, MPSU60
 Q2, MPSU10
 Q3, MJE340
 Q4, NOT USED
 U2, NE555
 S1, 2 pos. 1 pole switch
 S2, 5 pos. 2 pole switch
 S3, 2 pos. 2 pole switch
 *S4, 2 pos. 2 pole switch
 O1, AC outlet
 Q2, AC outlet
 RL1, relay
 RL2, relay
 U1, MC7812 reg
 T1, MAGNETEK 783P2
 F1, $\frac{1}{2}$ amp sb

	S4	R27
231	X	X
232		X
233		
235		X
236		

* Above chart shows utilization of S4 & R27 in various PV10A iterations (by 3-digit serial # prefix)