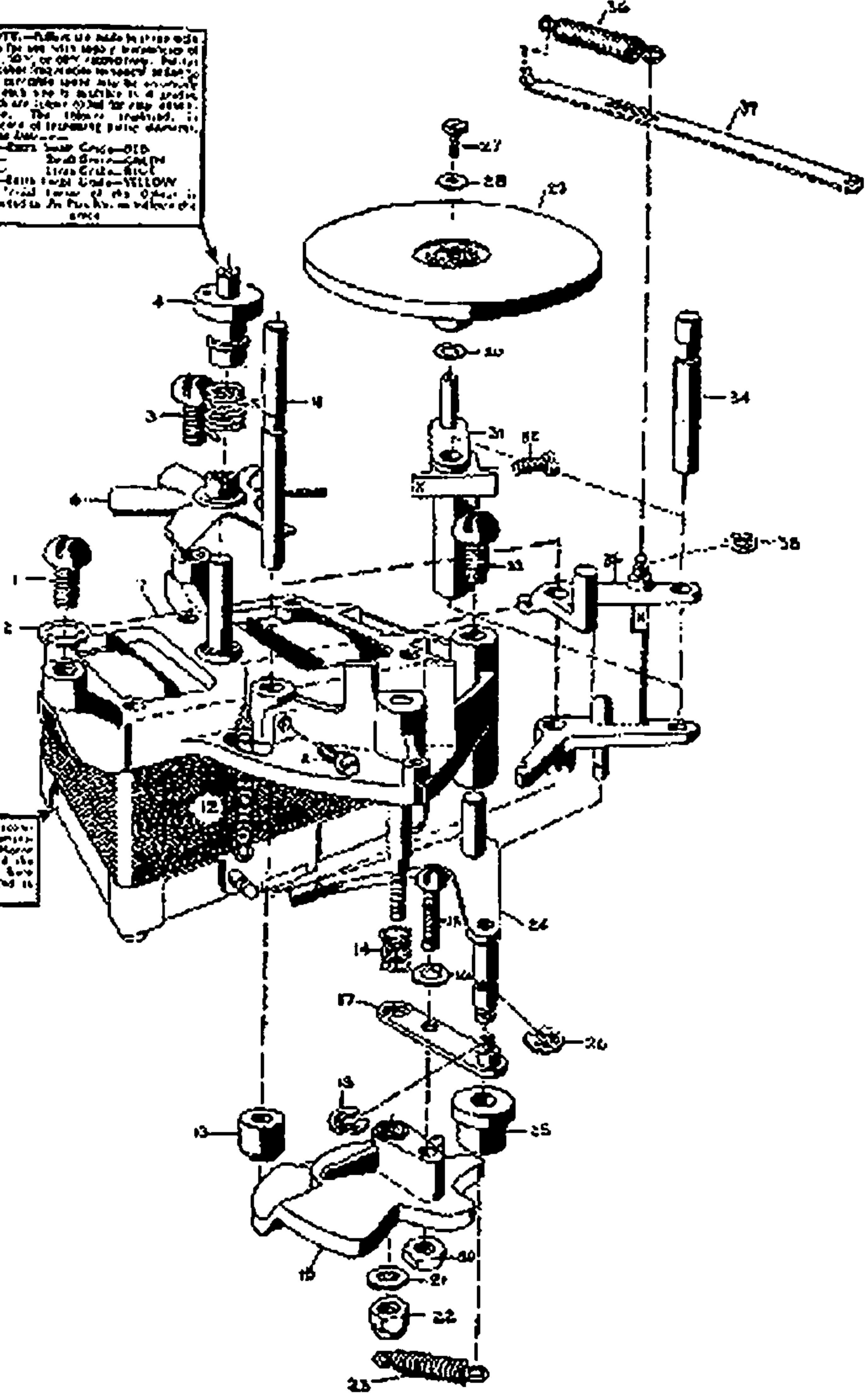


NOTE.—After the hole in the side of the box has been made, the operation of the "ON" or "OFF" indicator. The "ON" or "OFF" indicator is used to indicate the position of the indicator. The "ON" or "OFF" indicator is used to indicate the position of the indicator. The "ON" or "OFF" indicator is used to indicate the position of the indicator.

1—Ball Lead Crank—RED
 2—Ball Lead Crank—GREEN
 3—Ball Lead Crank—BLUE
 4—Ball Lead Crank—YELLOW
 The "ON" or "OFF" indicator is used to indicate the position of the indicator.

NOTE.—It is recommended that the "ON" or "OFF" indicator be used to indicate the position of the indicator. The "ON" or "OFF" indicator is used to indicate the position of the indicator.



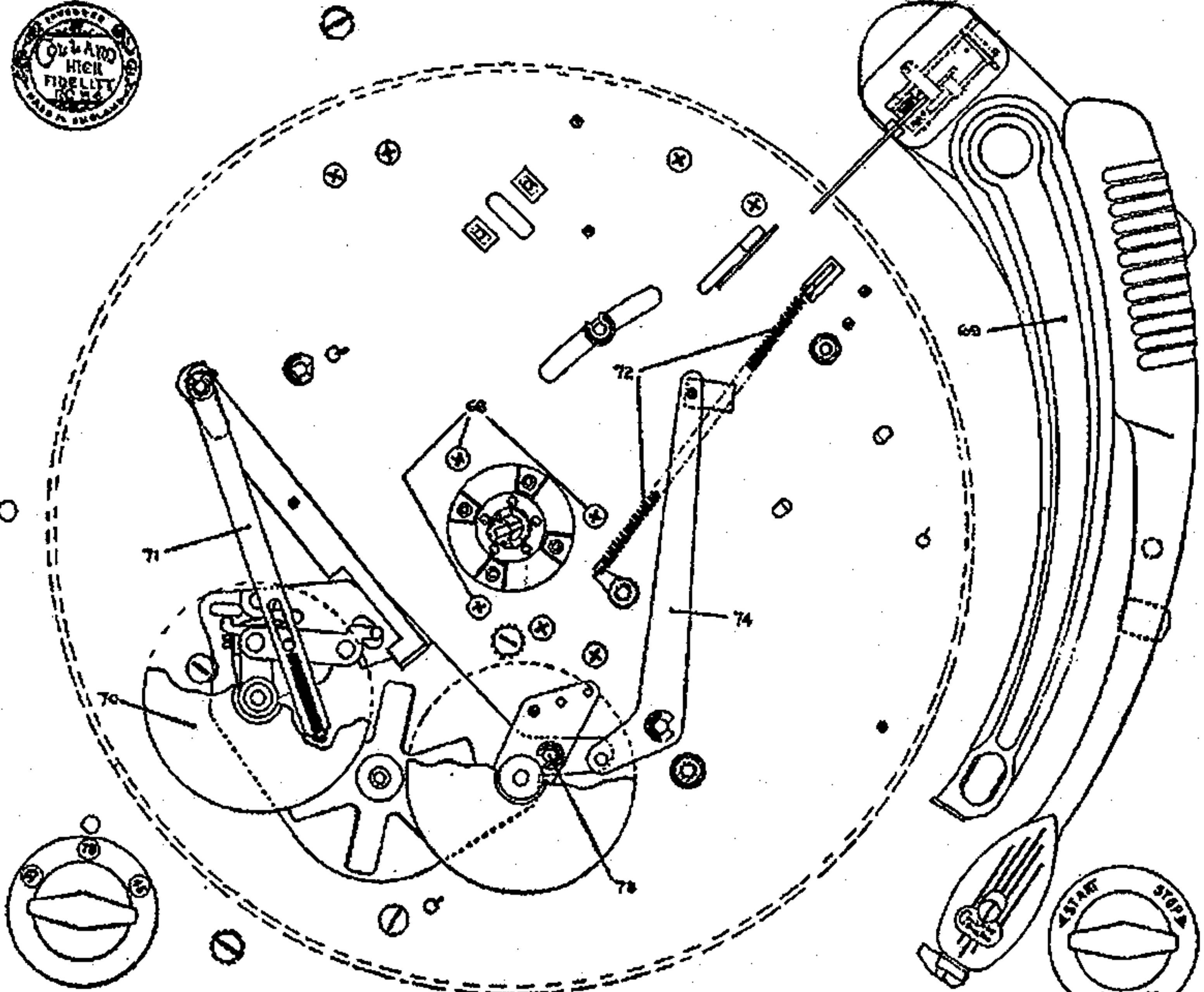


Fig. 4.—View of Record Changer with Turntable Removed

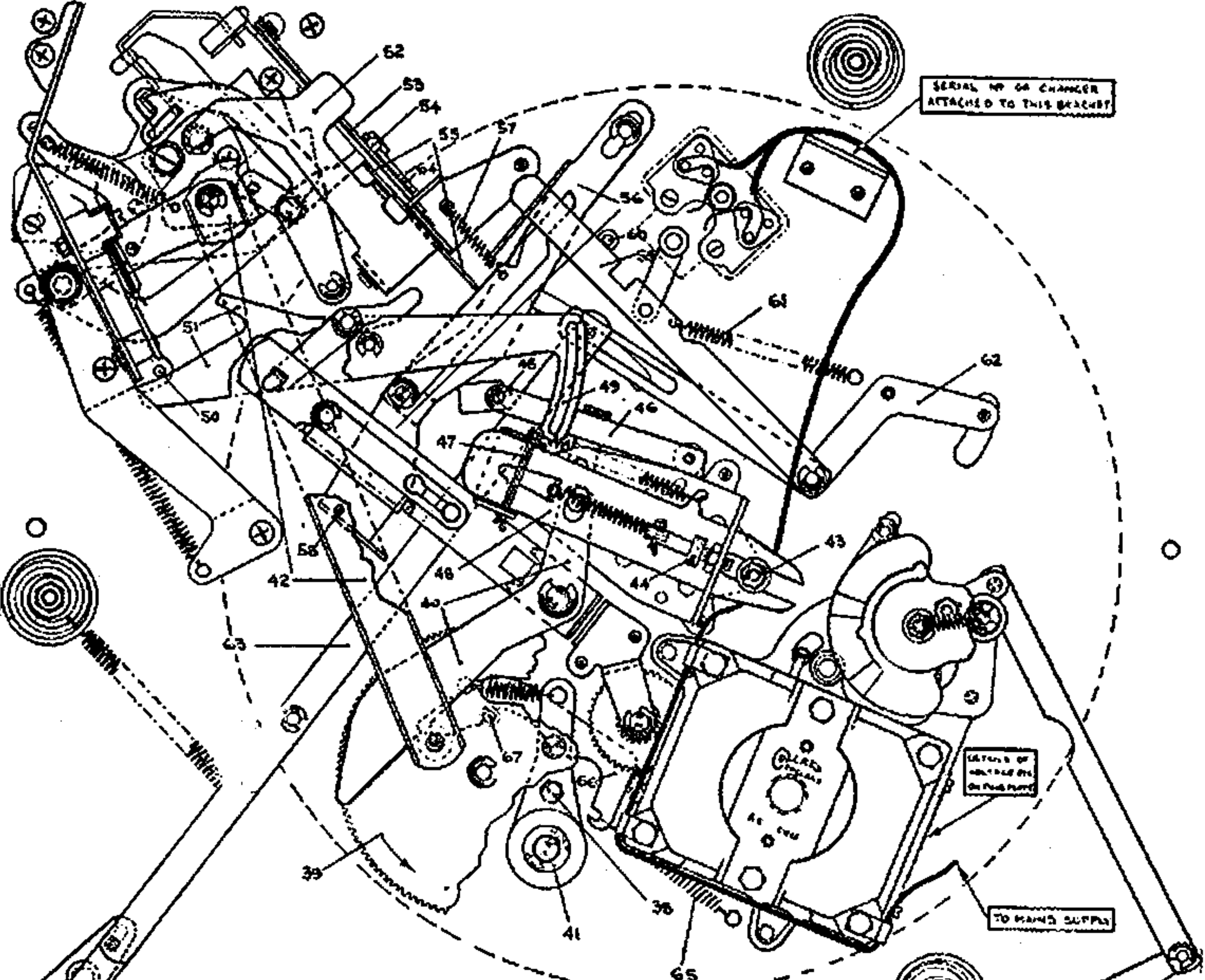


Fig. 3—View of underside of Record Changer. Some of the larger components are shown cut away to reveal mechanism underneath.