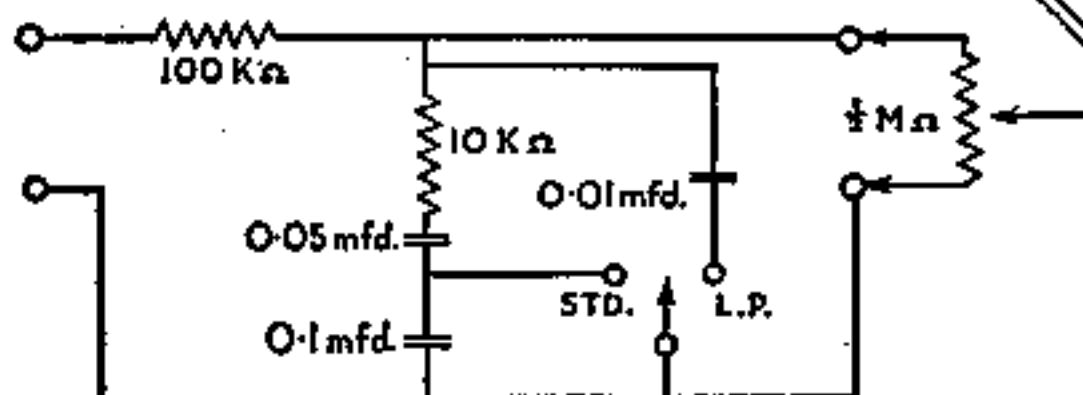


RECOMMENDED INPUT NETWORK

FOR STUDIO 'P' HIGH FIDELITY TURNOVER CRYSTAL



$120\text{K}\Omega$ ACROSS PICK-UP IF AMPLIFIER CONTAINS CORRECTION FOR RECORDING CHARACTERISTICS



STUDIO 'O' TURNOVER CRYSTAL

Normal Receiver connect direct to Pick-up Socket, Load Resistance $\frac{1}{4}$ to $\frac{1}{2}$ Megohms, Diode Circuit must be disconnected from Volume Control. **THIS IS ESSENTIAL.**

COLLARO LIMITED

RIPPLE WORKS, BY-PASS ROAD

BARKING

ESSEX