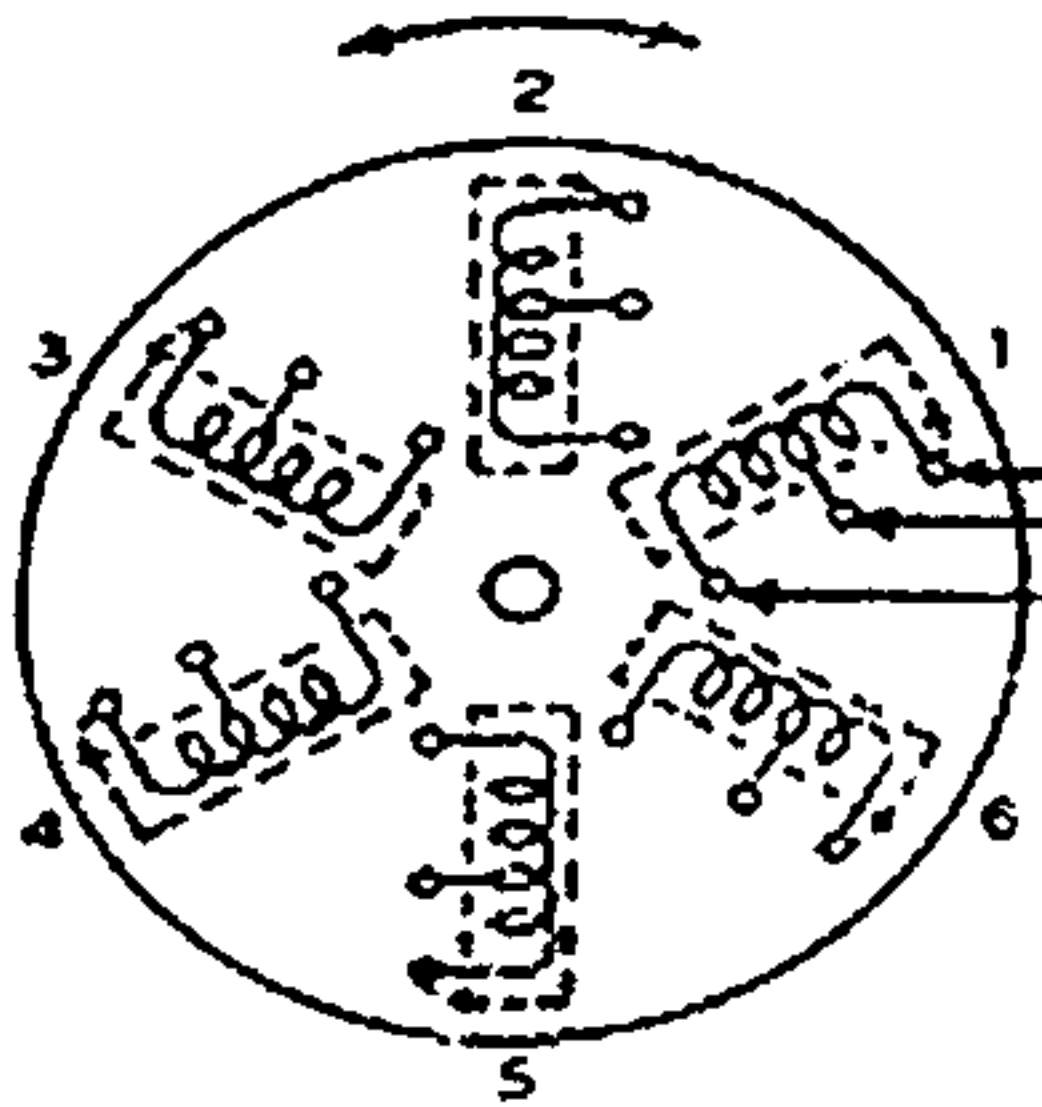


CHIEF  
STATIEDIENST  
VHR

OUTPUT  
ATTENUATOR

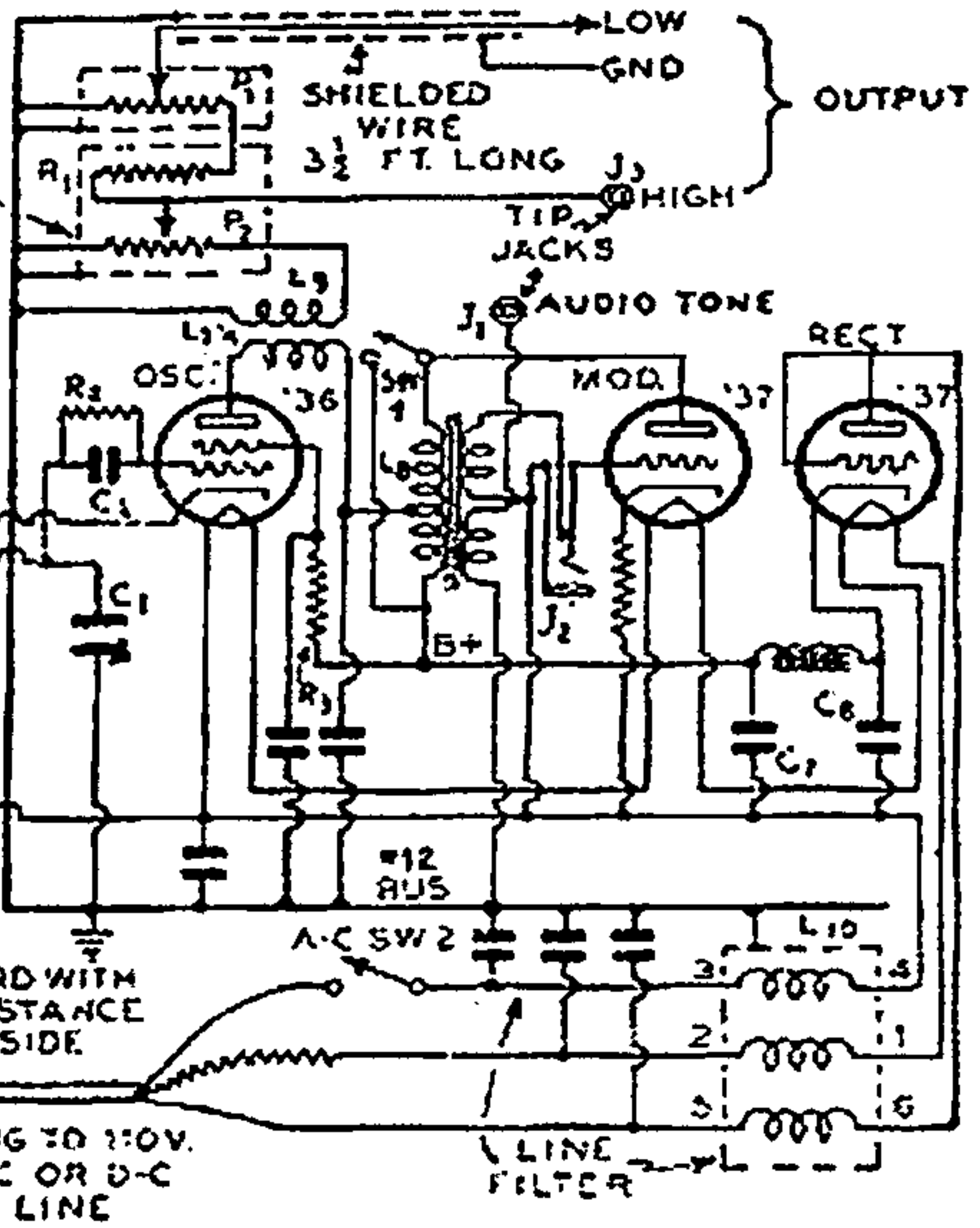


ROTATABLE COIL ASSEMBLY

- RANGE 1: 50-175 KC.
- RANGE 2: 155-530 KC
- RANGE 3: 500-1750 KC
- RANGE 4: 1750-6000 KC
- RANGE 5: 6000 TO 21,000 KC
- RANGE 6: 21,000 KC UP

CORD WITH  
RESISTANCE  
5 INSIDE

PLUG TO 110V.  
A-C OR D-C  
LINE



LINE  
FILTER