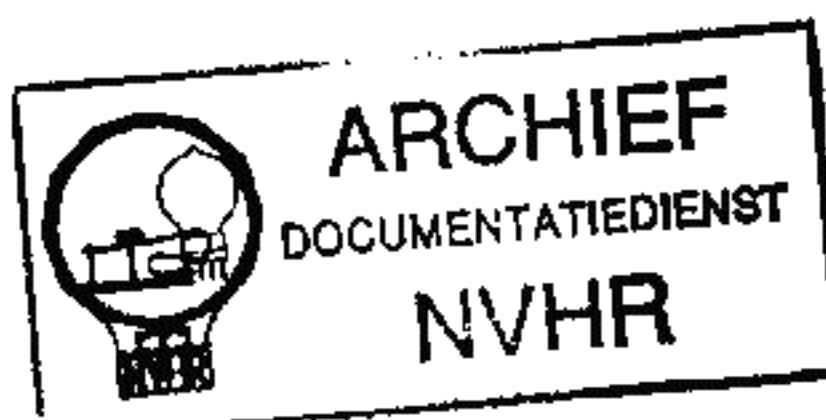


Met dank aan Jef Bos

TRADE NAME : Channel Master Models 6527, 6531
 SUPPLIER : Channel Master Corp.,
 Ellettsville, N. Y.
 TYPE SET : 6 Transistor AM Receiver
 POWER SUPPLY : 9 Volts DC
 RATING : 8MA @ 9 VDC (No Signal, Min. Volume)
 15MA @ 9 VDC (Signal, Normal Volume)
 TUNING RANGE: BROADCAST 540 - 1650KC

Ned. Ver. v. Historie v/d Radio



ALIGNMENT INSTRUCTIONS

Check for specified source voltage.
 Fashion loop of several turns of wire and connect generator across loop.
 Adjust output of generator to radiate only enough signal into receiver to obtain a suitable indication.
 Suggested Alignment Tools:
 A1, A2, A3... GENERAL CEMENT #5067, 8282, 8606... WALSCO #2526, 2543
 A4, A6..... GENERAL CEMENT #5000, 5066, 8290... WALSCO #2512, 2525

	SIGNAL GENERATOR FREQUENCY	RADIO DIAL SETTING	INDICATOR	ADJUST	REMARKS
1.	455KC (400% Mod.)	Tuning gang fully open.	Output Meter across voice coil.	A1, A2, A3	Adjust for maximum. Repeat as required.
2.	1650KC	"	"	A4	Adjust for maximum.
3.	600KC	Tune to Signal.	"	A5	Rock tuning gang and adjust for maximum. Repeat steps 2 and 3.
4.	1400KC	"	"	A6	Adjust for maximum.

TRANSISTORS

ITEM No.	ORIG. TYPE	USE	REPLACEMENT DATA			NOTES
			DELCO PART No.	GENERAL ELECTRIC PART No.	RCA PART No.	
X1	2SA203①	Converter	DS-25	GE-1		PNP
X2	2SA202②	1st IF Amplifier	DS-25	GE-1		PNP
X3	2SA197③	2nd IF Amplifier	DS-25	GE-1		PNP
X4	2SB185	Driver	DS-26	GE-2	2N408	PNP
X5	2SB187	Output	DS-26	GE-2	2N408	PNP
X6	2SB187	Output	DS-26	GE-2	2N408	PNP

- ① Alternate Type 2SA182
 ② Alternate Type 2SA180
 ③ Alternate Type 2SA198

POWER RECTIFIERS & SIGNAL DIODES

ITEM No.	MEASURED CURRENT	ORIGINAL Part or Type No.	RECTIFIERS			NOTES
			MALLORY PART No.	RCA PART No.	SARKES TARZIAN PART No.	
X7		F136				Detector 1N60

ELECTROLYTIC CAPACITORS

ITEM No.	RATING		Channel Master PART No.	REPLACEMENT DATA					
	CAP.	VOLT.		AEROVOX PART No.	CORNELL-DUBILIER PART No.	GENERAL ELECTRIC PART No.	GENERAL INSTRUMENT PART No.	MALLORY PART No.	SPRAGUE PART No.
C1	30	3	A046	BCD3025	ECPB412	MT1-13			
C2	5	6	A010	BCD6005	ECPB405	MT1-3			TE-1084
C3	5	6	A010	BCD6005	ECPB405	MT1-3			TE-1084
C4	30	3	A046	BCD3025	ECPB412	MT1-13			
C5	120	6	A023						
C6	50	9	A031		NLW50-15	MT1-13			

FIXED CAPACITORS

ITEM No.	RATING	REMARKS	REPLACEMENT DATA					
			AEROVOX PART No.	CENTRALAB PART No.	CORNELL-DUBILIER PART No.	ELMENCO PART No.	MALLORY PART No.	SPRAGUE PART No.
C7	.004		TTD-005	CK-502	H1		TA-250	TG-D50
C8	.003			DM-302				
C9	.04		TTD-05	CK-503	H5		TA-150	TG-S50
C10	10		NPO-DI 10	DTZ-10	C10Q1C	CC TO-100	CNO-410	10TCC-Q10
C11	.04		TTD-05	CK-503	H5		TA-150	TG-S50
C12	.04		TTD-05	CK-503	H5		TA-150	TG-S50
C13	.02		TTD-02	CK-203	H3		TA-120	TG-S20
C14	7		NPO-DI 6.8	DTZ-6R8	C10V7C	CC TO-6R8	CNO-568	10TCC-V68
C15	.005		TTD-005	CK-502	H1		TA-250	TG-D50

CONTROLS

All wattages 1/2 watt, or less, unless otherwise listed.

ITEM No.	USE	RESISTANCE	REPLACEMENT DATA				
			Channel Master PART No.	CENTRALAB PART No.	CLAROSTAT PART No.	CTS-IRC PART No.	MALLORY PART No.
R1	Volume & Switch	5000Ω	E063				
R2	AGC Adjust	100K	E062				

COMPONENT COMBINATIONS

ITEM No.	USE	DESCRIPTION	Channel Master PART No.	REPLACEMENT DATA
K1	Diode RF Filter	.002mfd, .002mfd, 220Ω		

COILS (RF-IF)

ITEM No.	USE	REPLACEMENT DATA					NOTES
		Channel Master PART No.	MERIT PART No.	AMERN PART No.	STANCO PART No.	WINDMAN PART No.	
L1	Loopstick	E084					
L2	Osc.	F331					
L3	1st IF	C042	DC-874				
L4	2nd IF	C038	DC-878	8087			
L5	3rd IF	C057	DC-878	8188			

TRANSFORMER (DRIVER)

ITEM No.	TURNS RATIO		REPLACEMENT DATA					NOTES
			Channel Master PART No.	MERIT PART No.	STANCO PART No.	THORNDYKE PART No.	TRIAD PART No.	
	PRI.	SEC.1						
T1	2	1	C088					
		SEC. 2						
		1						

SPEAKER

ITEM No.	TYPE	REPLACEMENT DATA		NOTES
		Channel Master PART No.	QUAM PART No.	
SP1	2 1/2" PM 40Ω	G105		

BATTERIES

ITEM No.	VOLTAGE	Channel Master PART No.	REPLACEMENT DATA			NOTES
			BURGESS	EVEREADY	MALLORY	
M1	9		2U6 (or H146)	2I6 (or E146)	M-1604 (or MN1604, TR-146)	

MISCELLANEOUS

ITEM No.	PART NAME	Channel Master PART No.	NOTES
M2	Tuning Cap.	A161	

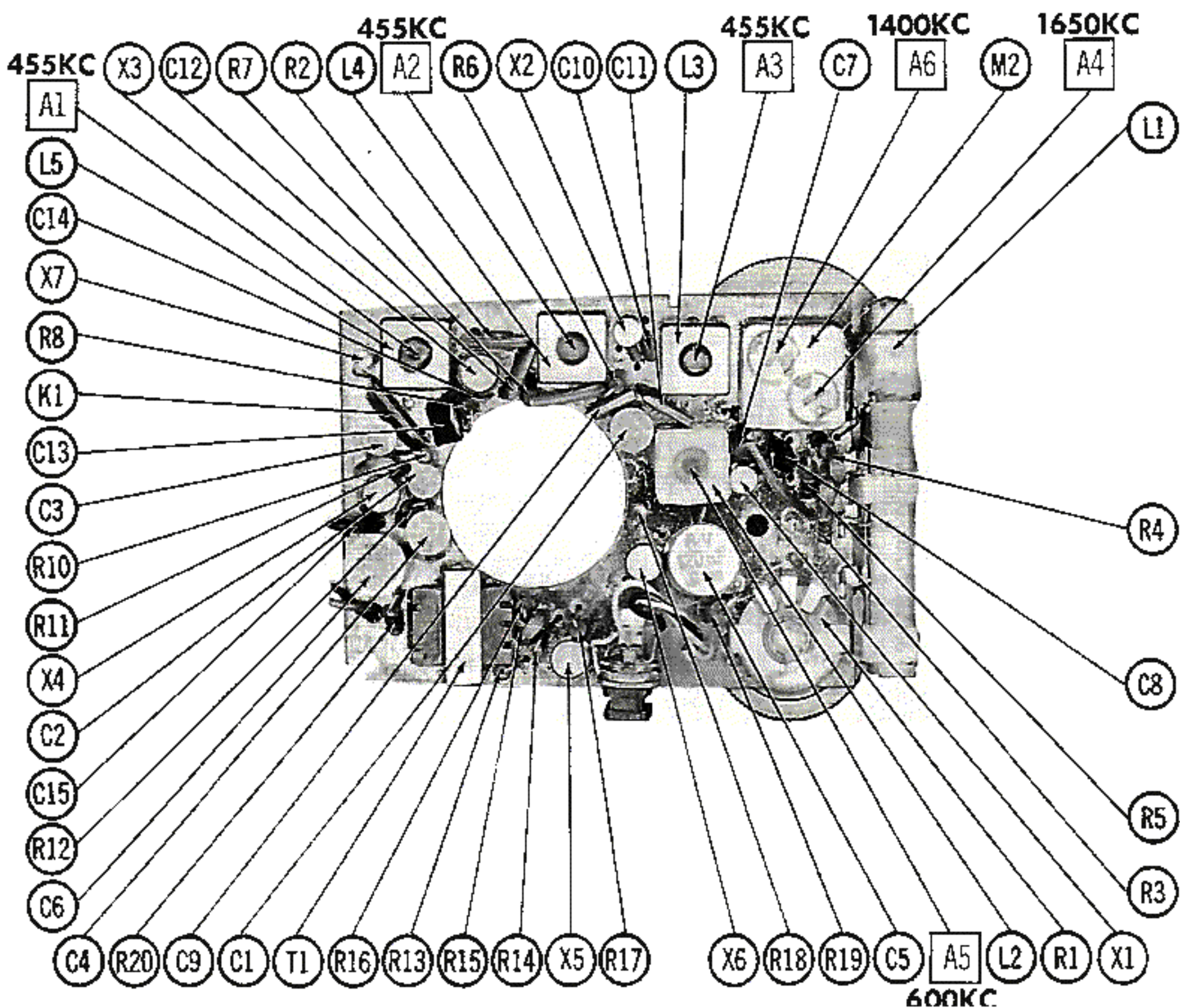
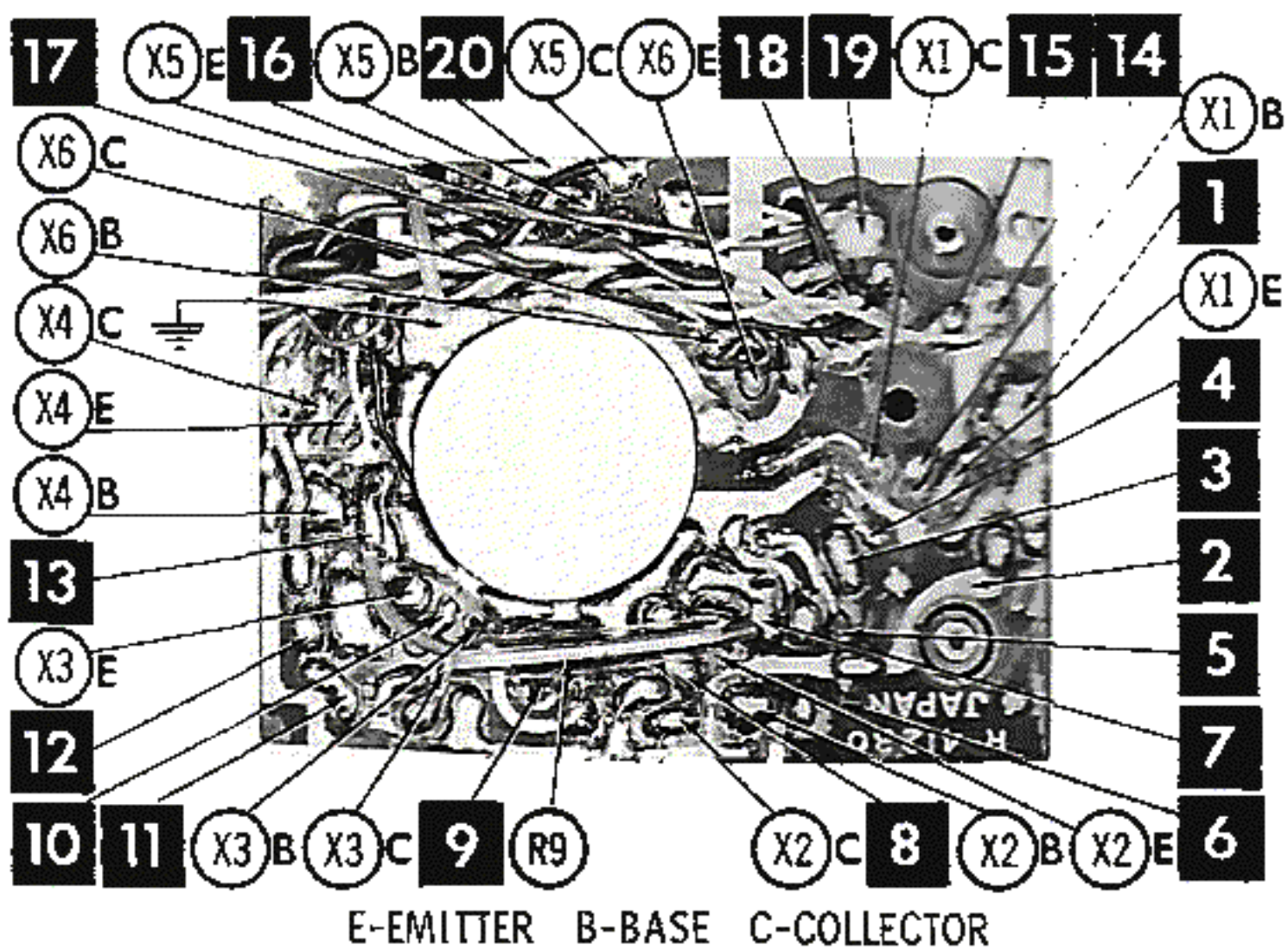
CABINETS & CABINET PARTS

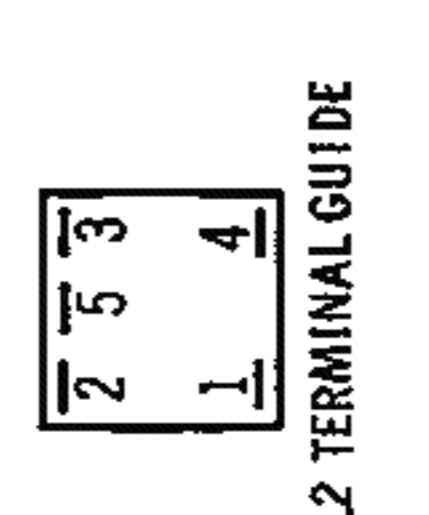
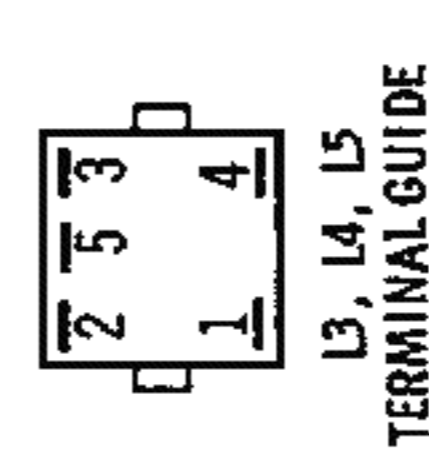
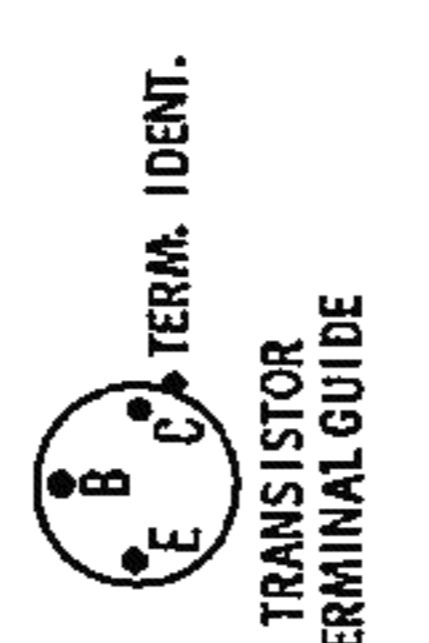
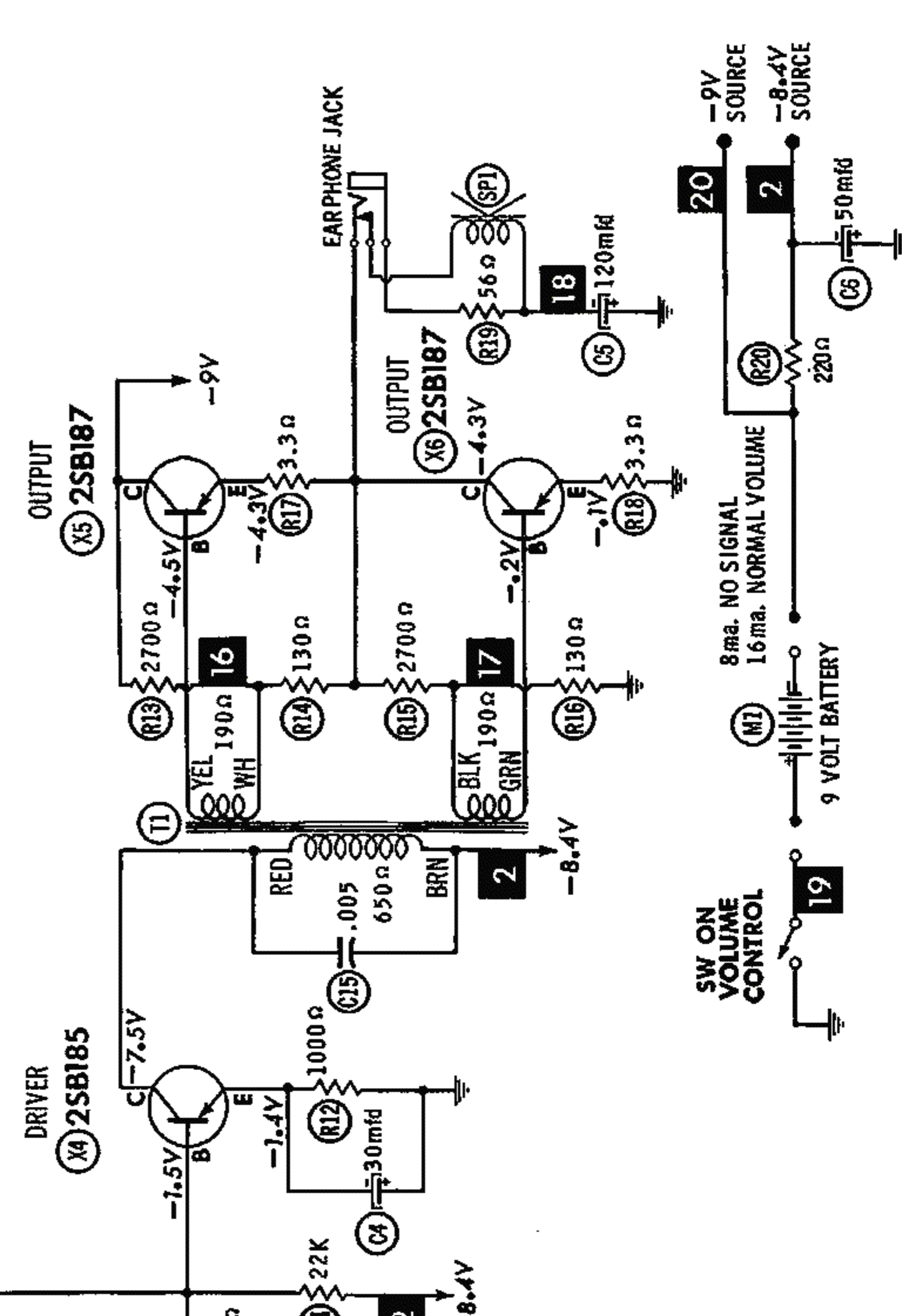
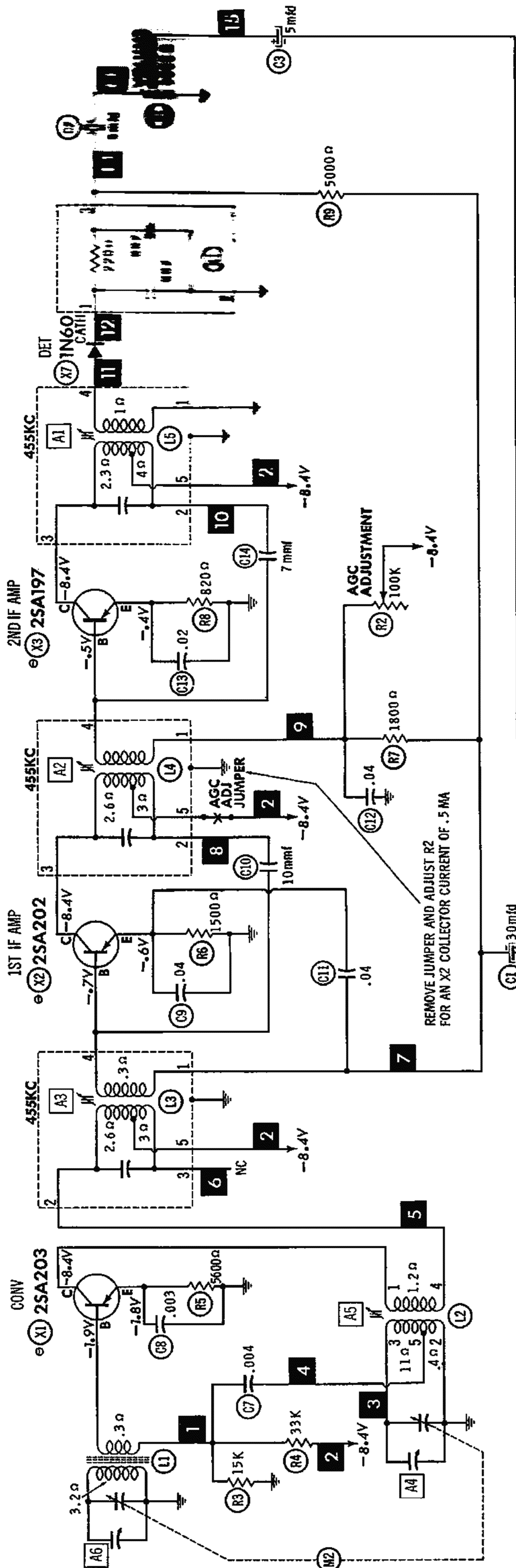
(When Ordering Specify Model, Chassis & Color)

ITEM	PART No.	ITEM	PART No.
Knob - Tuning	F328	Cabinet Back - Red	G047
Knob - Volume	F329	Cabinet Back - Black	G046
Cabinet Front	G045		

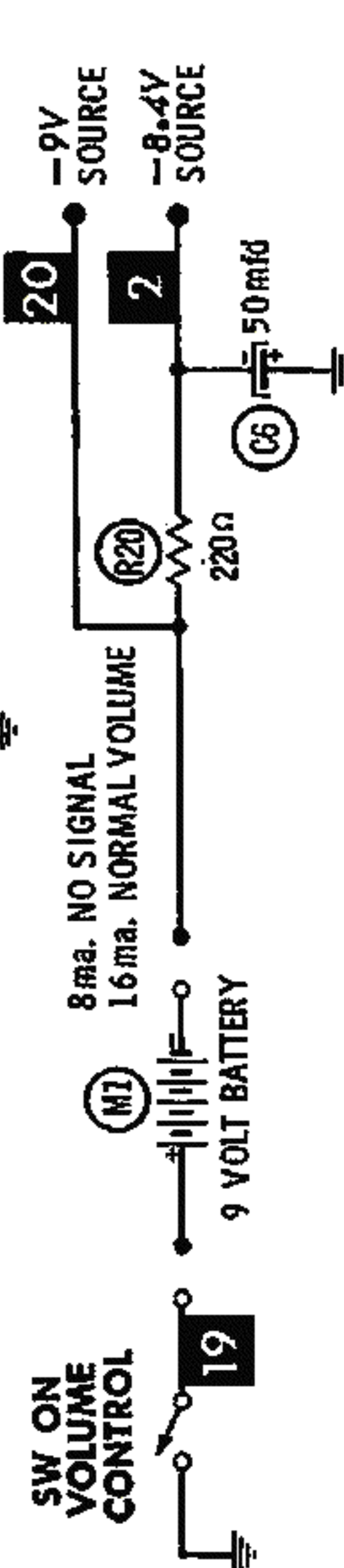
WIRING DATA

General-use Unshielded Hook-up Wire	Use BELDEN No. 8530 (Solid 22AWG)	Available
	8524 (Stranded 22AWG)	in
	8570 (Stranded 26AWG)	12 Colors





- See parts list for alternate value or application.
- Voltage measurements taken with vacuum tube voltmeter.
- All controls set for normal operation, no signal applied.
- Measured values are from socket pin or terminal to common ground.
- All terminals viewed from bottom unless otherwise designated.
- Numbers assigned to terminals may not be found on the unit.
- Supply voltage maintained at rated value for voltage readings.
- Resistance measurements not given because of the wide variation in internal resistance of transistor.



CHANNEL MASTER
MODELS 6527, 6531

A PHOTOFAC STANDARD NOTATION SCHEMATIC

with **CIRCUITRACE**

©Howard W. Sams & Co., Inc. 1963