

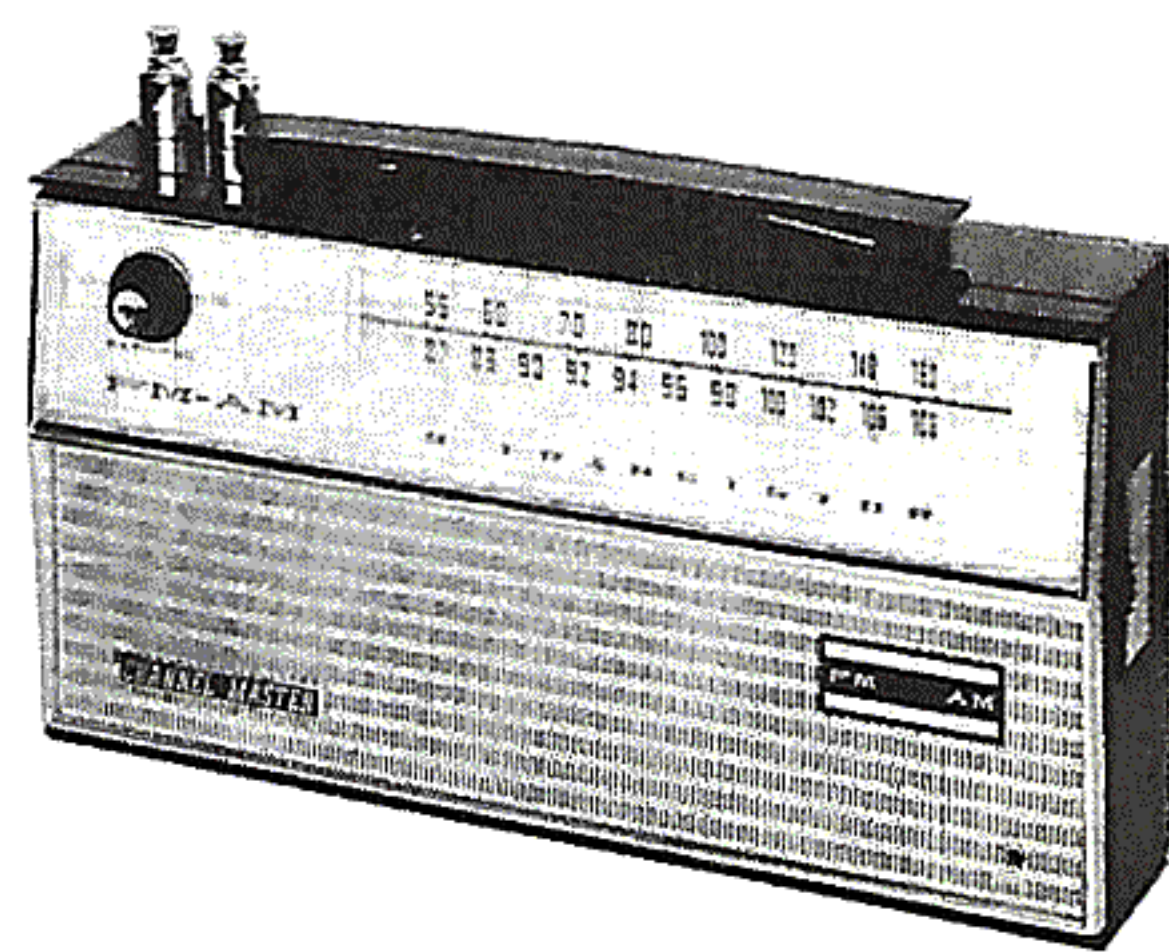


PHOTOFACT[®] with

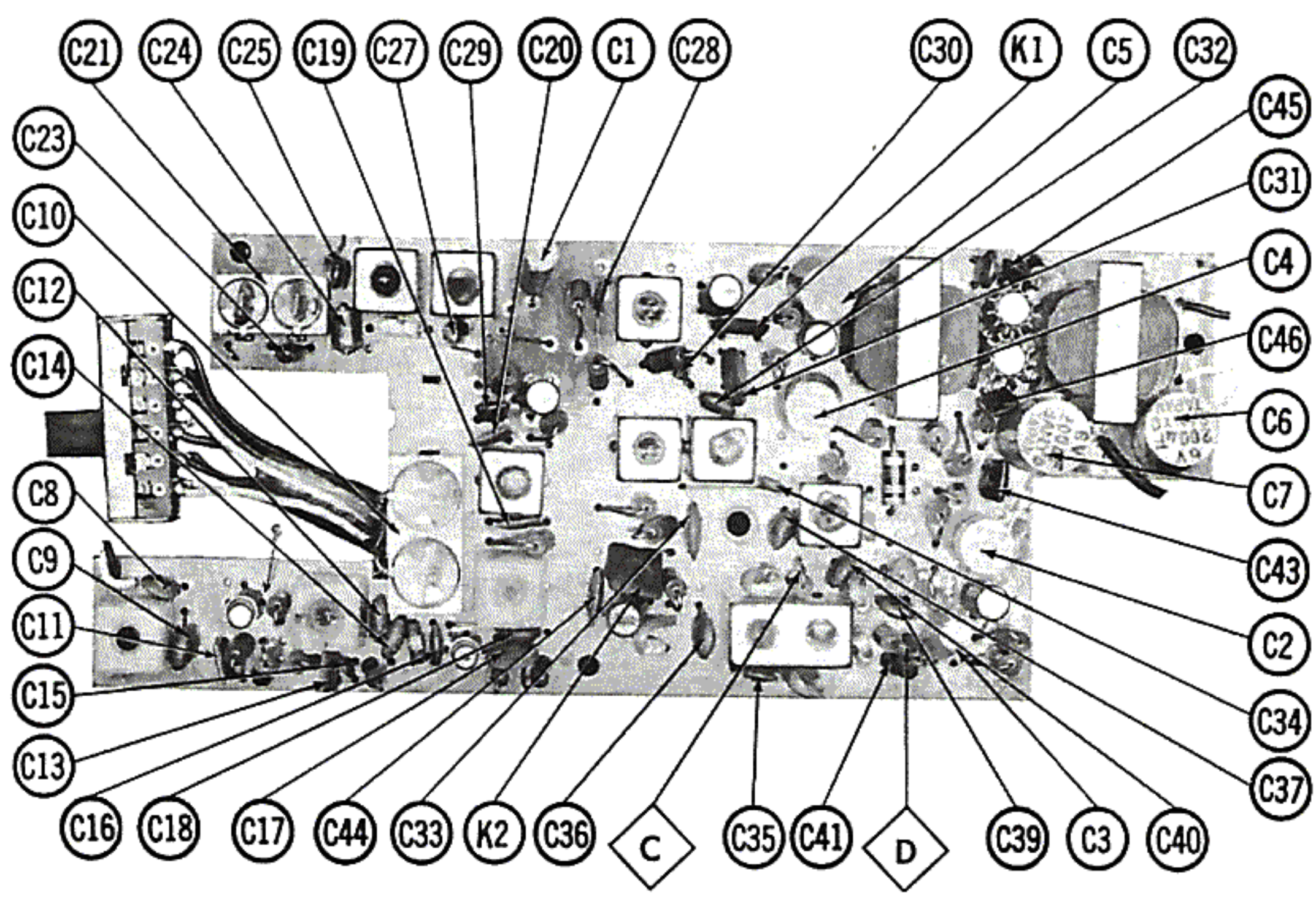
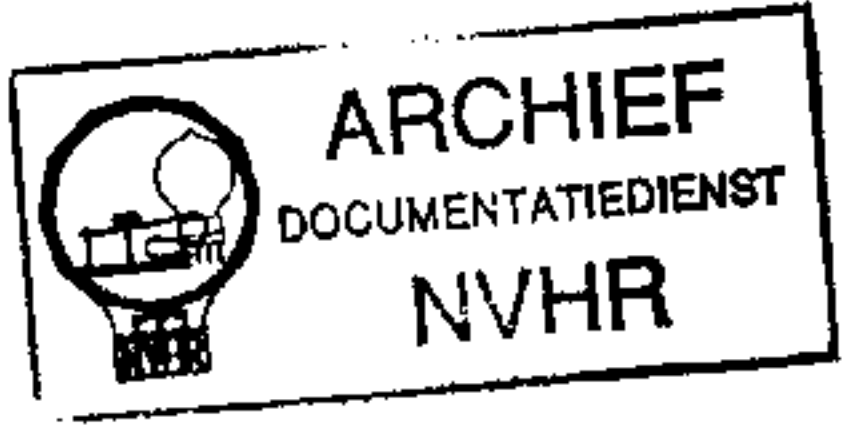
CIRCUITRACE[™]

Met dank aan Jef Bos

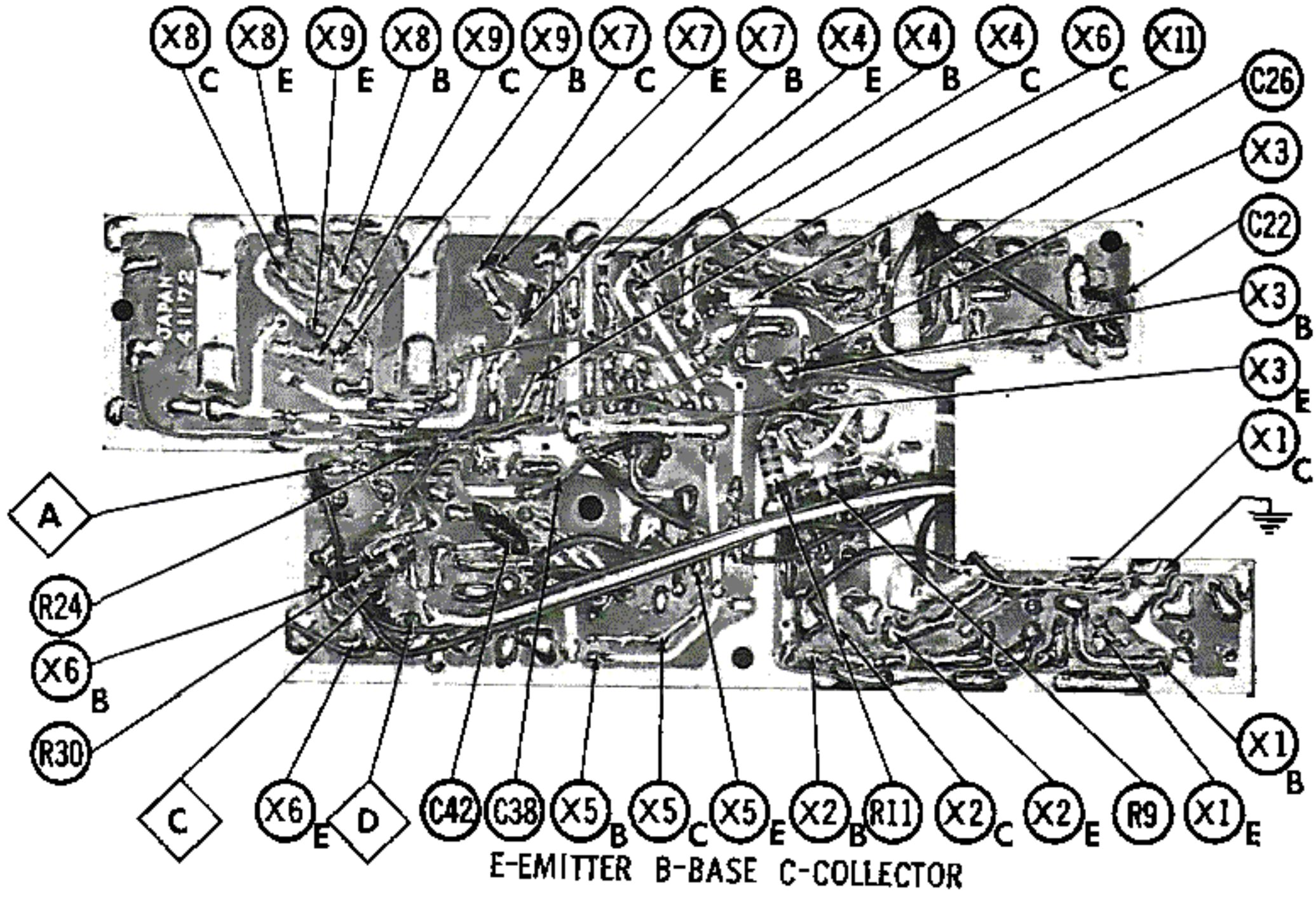
TRADE NAME: Channel Master Models 6524, 6526
 SUPPLIER: Channel Master Corp.,
 Ellenville, N. Y.
 TYPE SET: 9 Transistor AM-FM Receiver
 POWER SUPPLY: 6 Volts DC
 RATING: (FM) 16MA @ 6VDC (No Signal, Min. Vol.)
 22 MA @ 6VDC (Signal, Normal Vol.)
 TUNING RANGE: BROADCAST 530 - 1620KC
 FREQ. MOD. 88 - 108MC



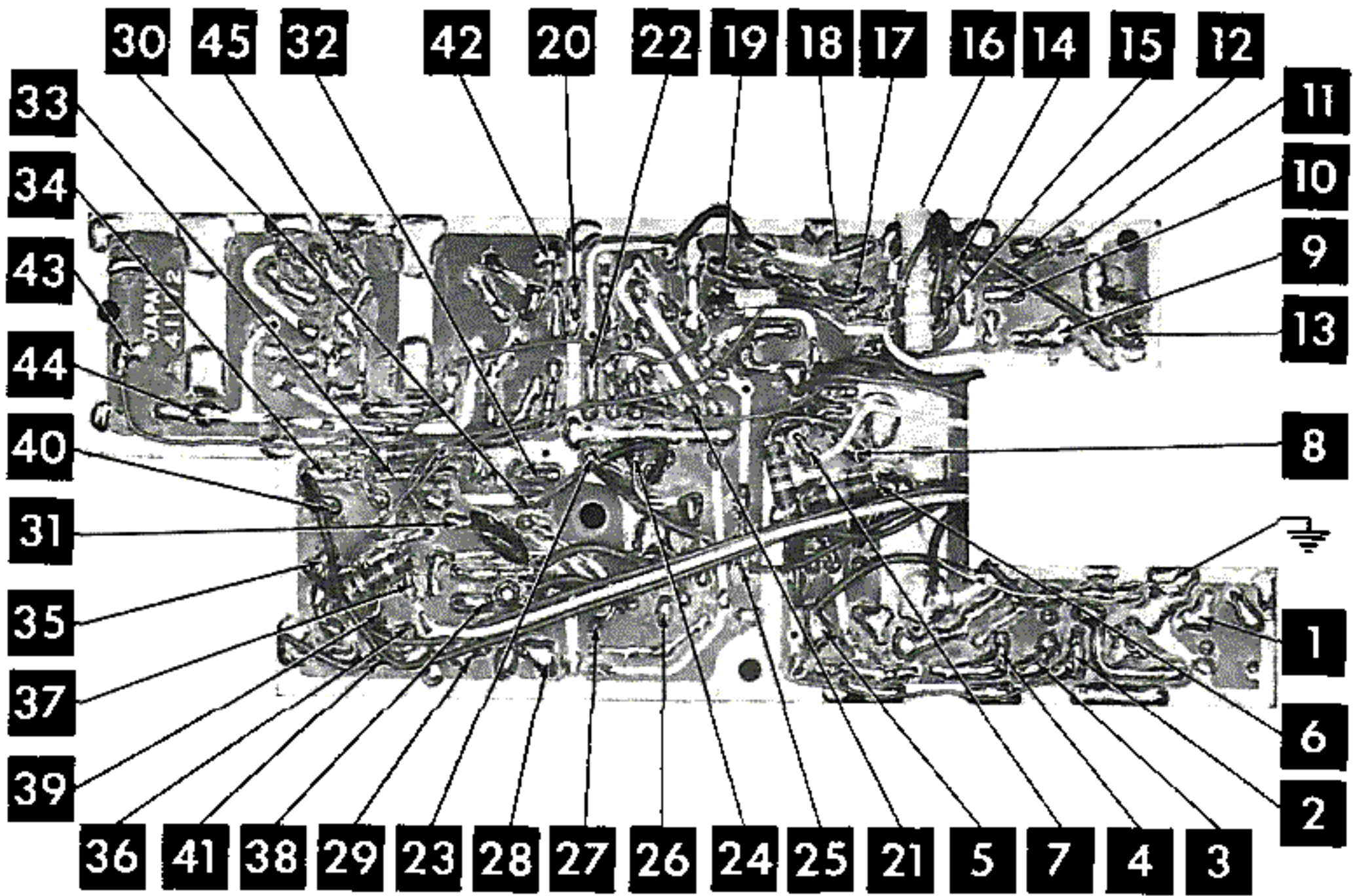
Ned. Ver. v. Historie v/d Radio



HOWARD W. SAMS & CO., INC. Indianapolis 6, Indiana



PRINTED BOARD - TRANSISTOR TERMINAL IDENT.



ALIGNMENT INSTRUCTIONS

Use only enough generator output to provide a usable indication.

Suggested Alignment Tools:

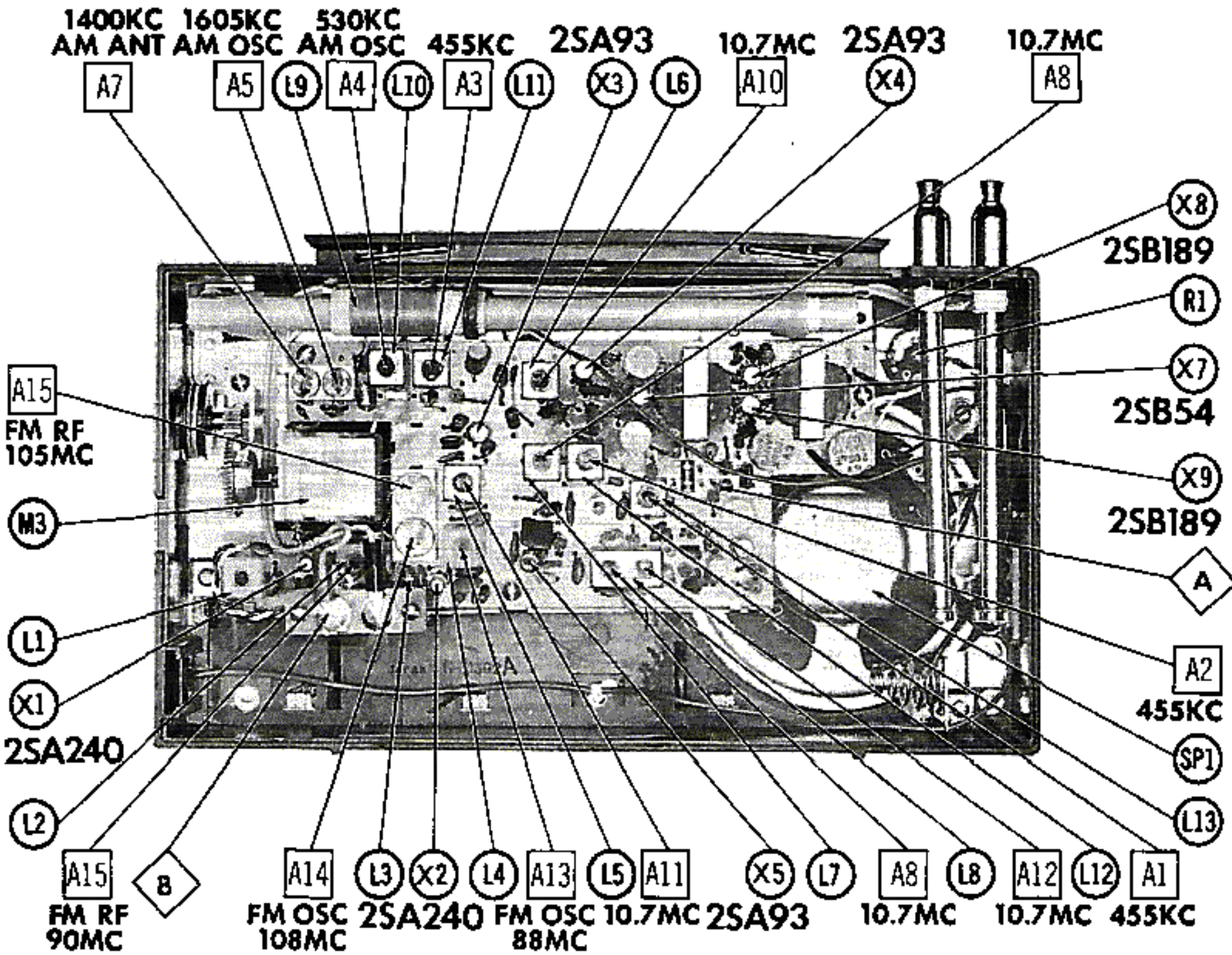
A1 thru A5, A7 thru A12, A14, A16... GENERAL CEMENT #9089, 5086, 8728A
 A13, A15..... GENERAL CEMENT #8606

AM ALIGNMENT – SELECTOR SWITCH IN AM POSITION

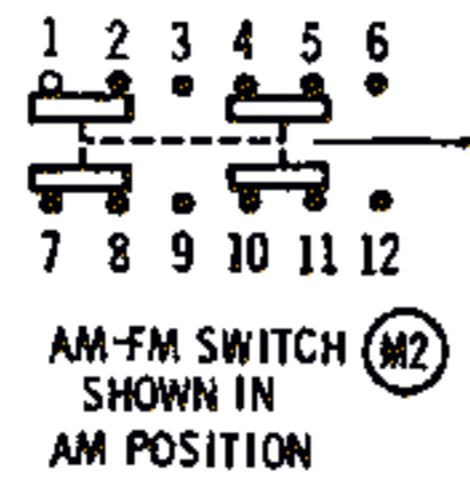
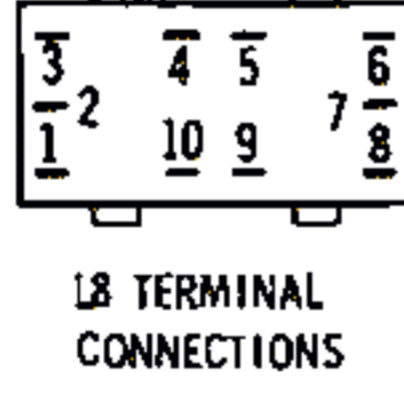
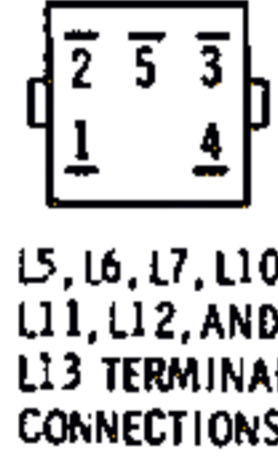
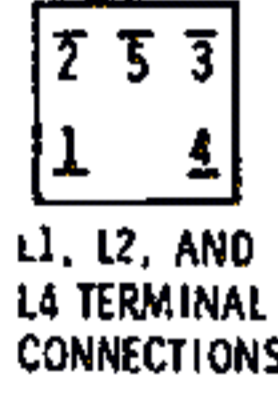
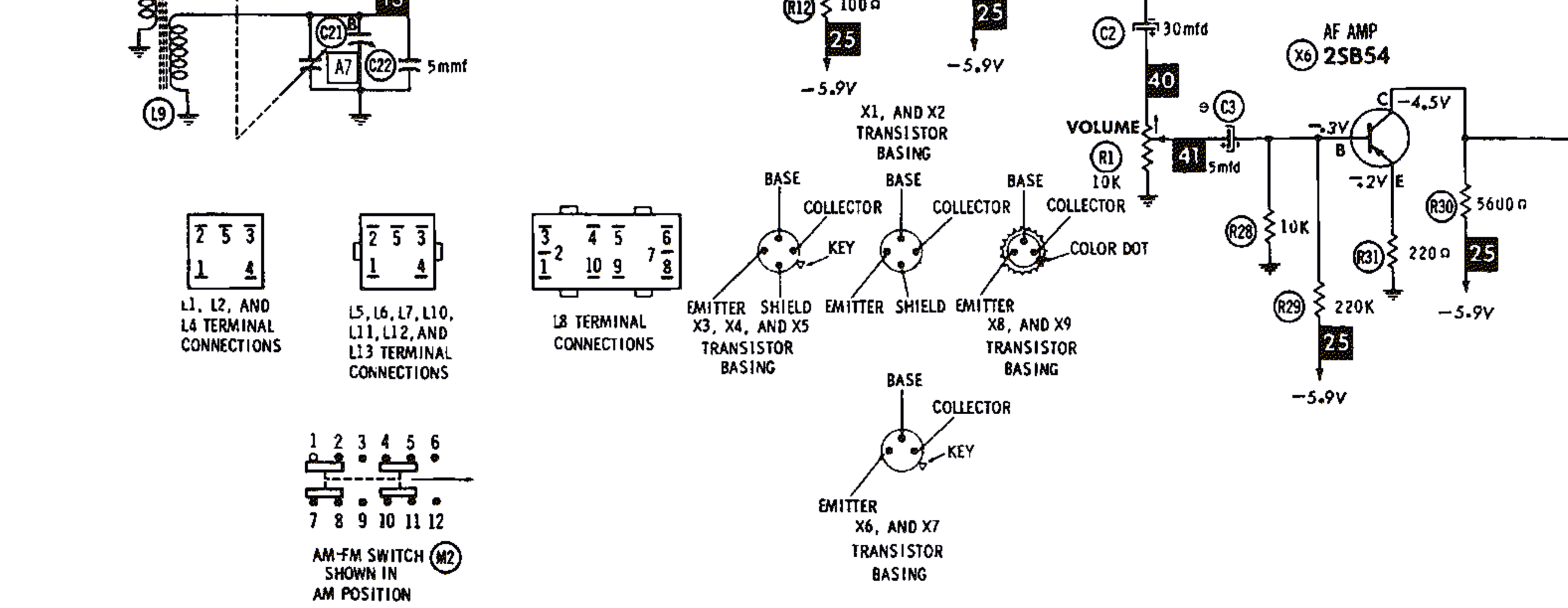
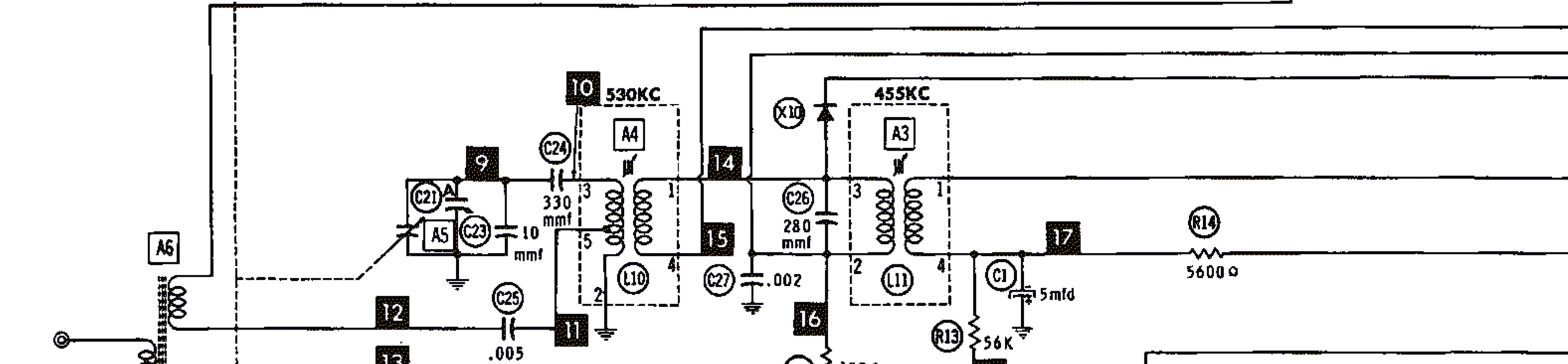
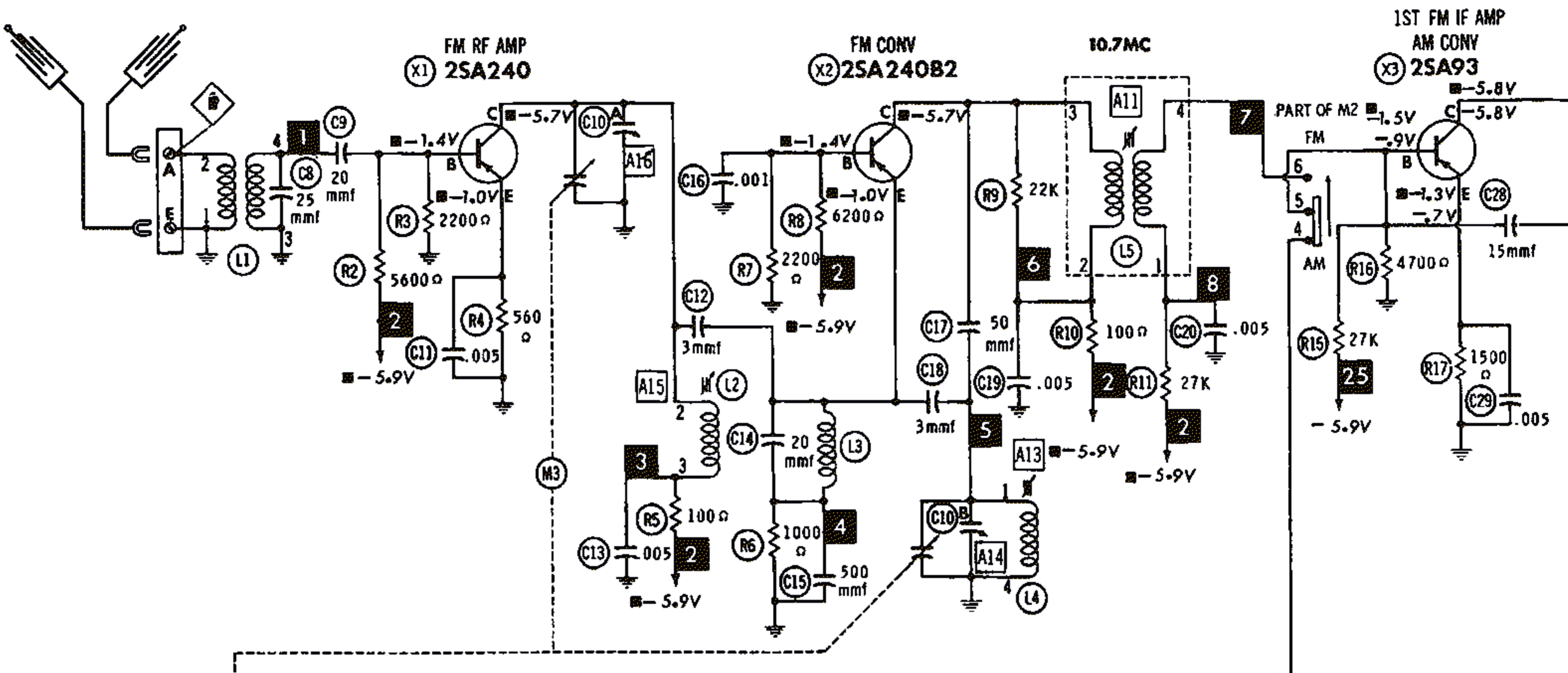
	SIGNAL GENERATOR COUPLING	SIGNAL GENERATOR FREQUENCY	RADIO DIAL SETTING	INDICATOR	ADJUST	REMARKS
1.	Fashion loop of several turns of wire and radiate signal into loop of receiver.	455KC (Unmod.)	(AM) Tuning gang fully open.	DC probe of VTVM to point A , common to ground.	A1, A2, A3	Adjust for maximum deflection.
2.	"	530KC	"	"	A4	"
3.	"	1605KC	1605KC	"	A5, A6	Adjust for maximum deflection.
4.	"	1400KC	1400KC	"	A7	Adjust for maximum deflection.

FM ALIGNMENT – SELECTOR IN FM POSITION

	SIGNAL GENERATOR COUPLING	SIGNAL GENERATOR FREQUENCY	RADIO DIAL SETTING	INDICATOR	ADJUST	REMARKS
5.	High side to FM antenna terminal B , common to chassis.	10.7MC (Unmod.)	(FM) Tuning gang fully open.	DC probe of VTVM to point C , common to ground.	A8, A9, A10, A11	Adjust for maximum deflection.
6.	"	"	"	DC probe to point D , common to ground.	A12	Adjust for zero reading. A positive and negative reading will be obtained on either side of the correct setting.
7.	"	88MC	88MC	DC probe of VTVM to point C , common to ground.	A13	Adjust for maximum deflection.
8.	"	108MC	108MC	"	A14	"
9.	"	90MC	90MC	"	A15	"
10.	"	105MC	105MC	"	A16	"

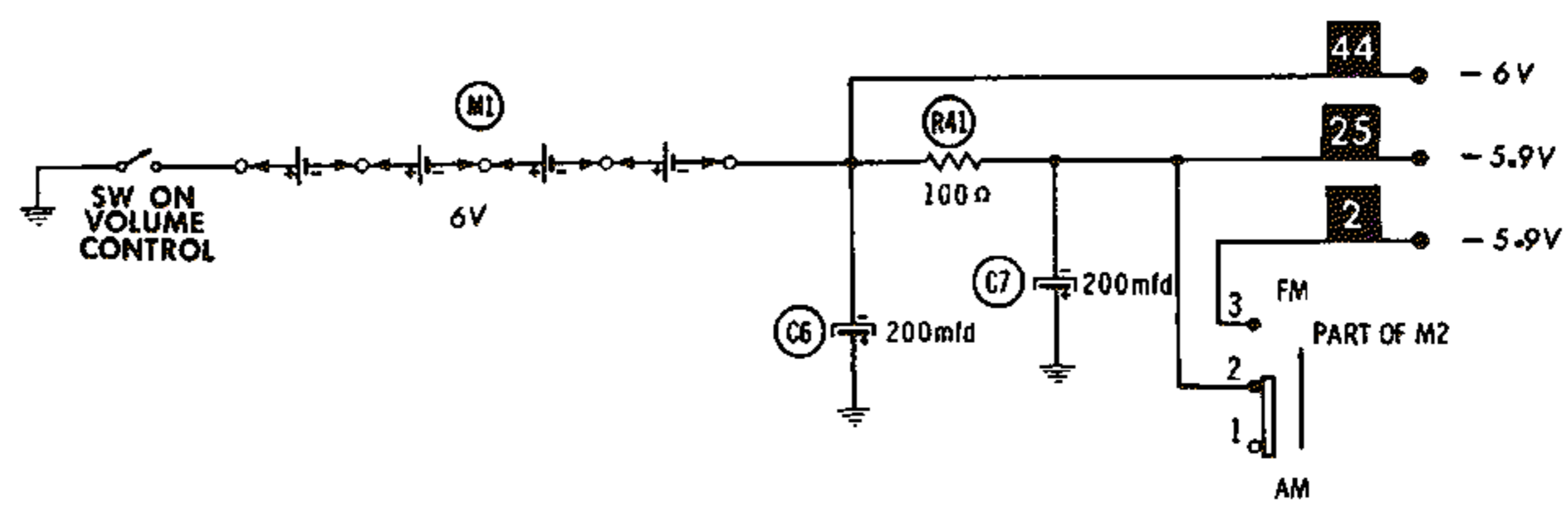
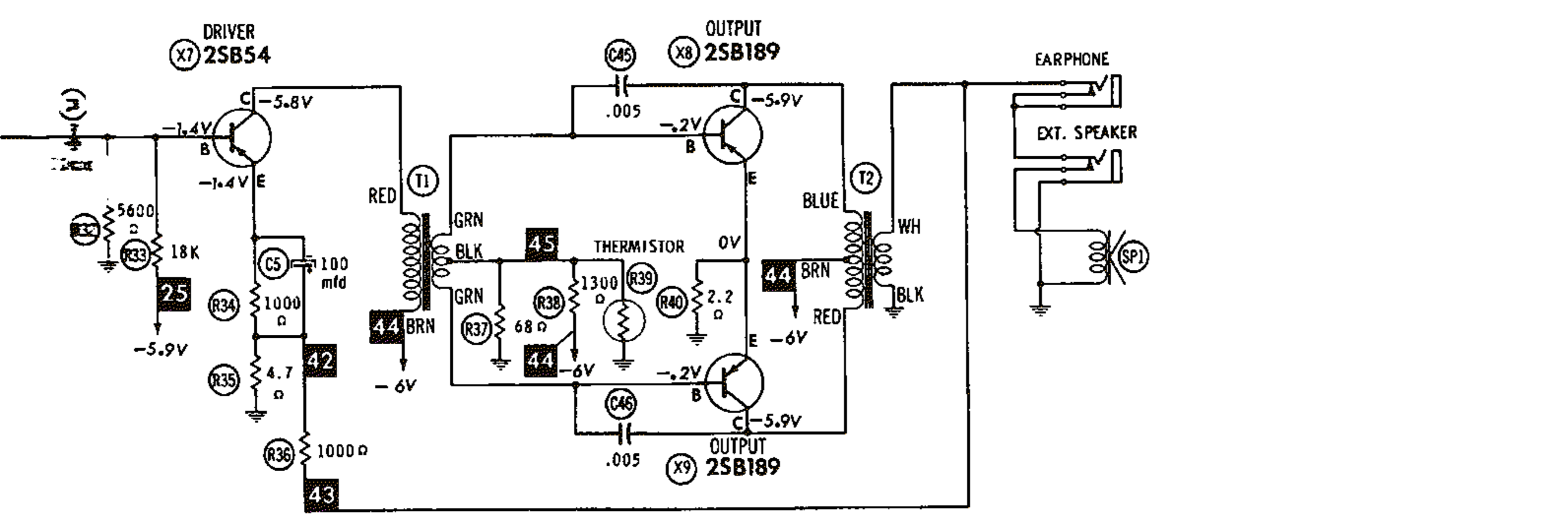
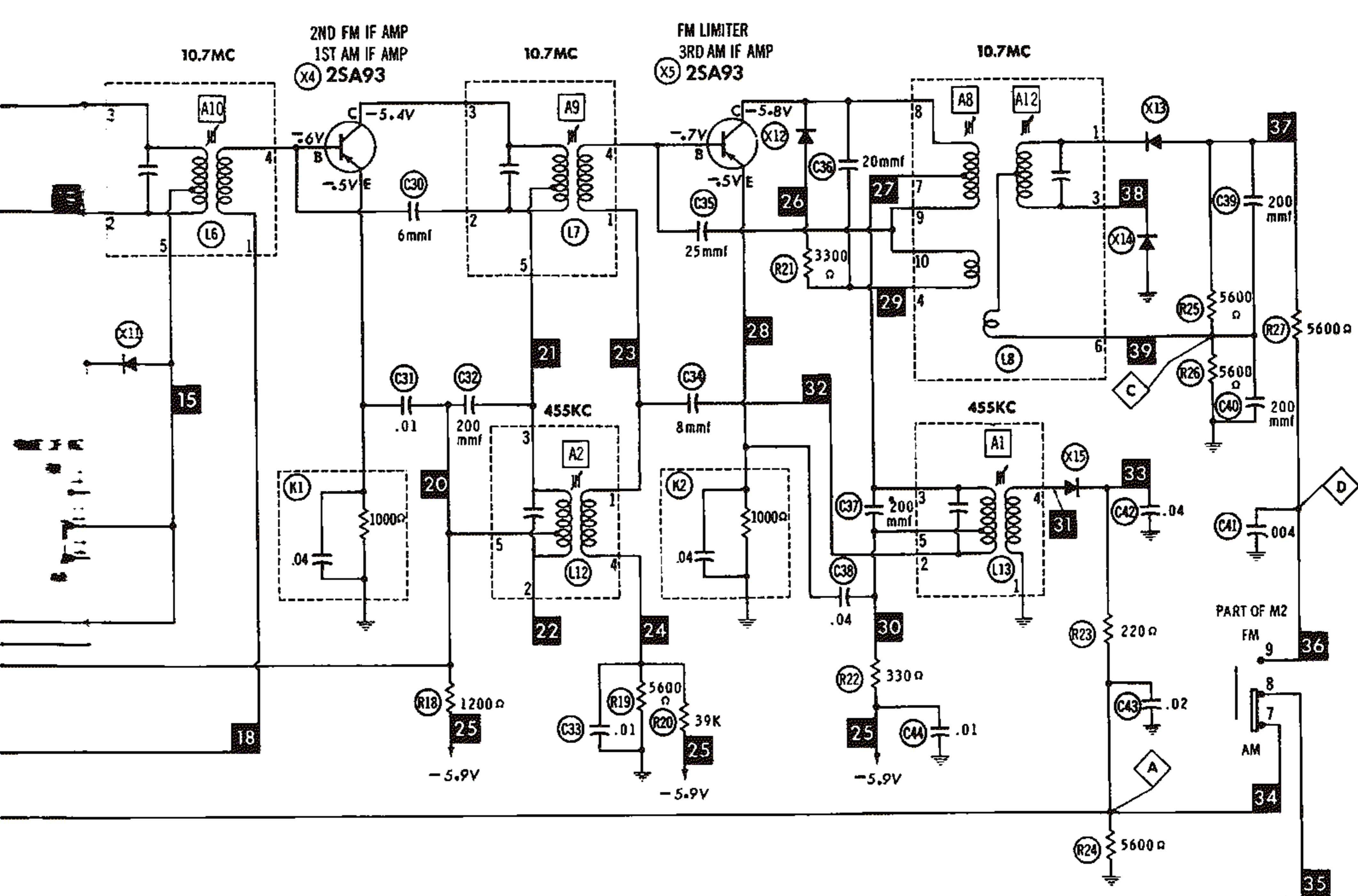


CHASSIS—TOP VIEW



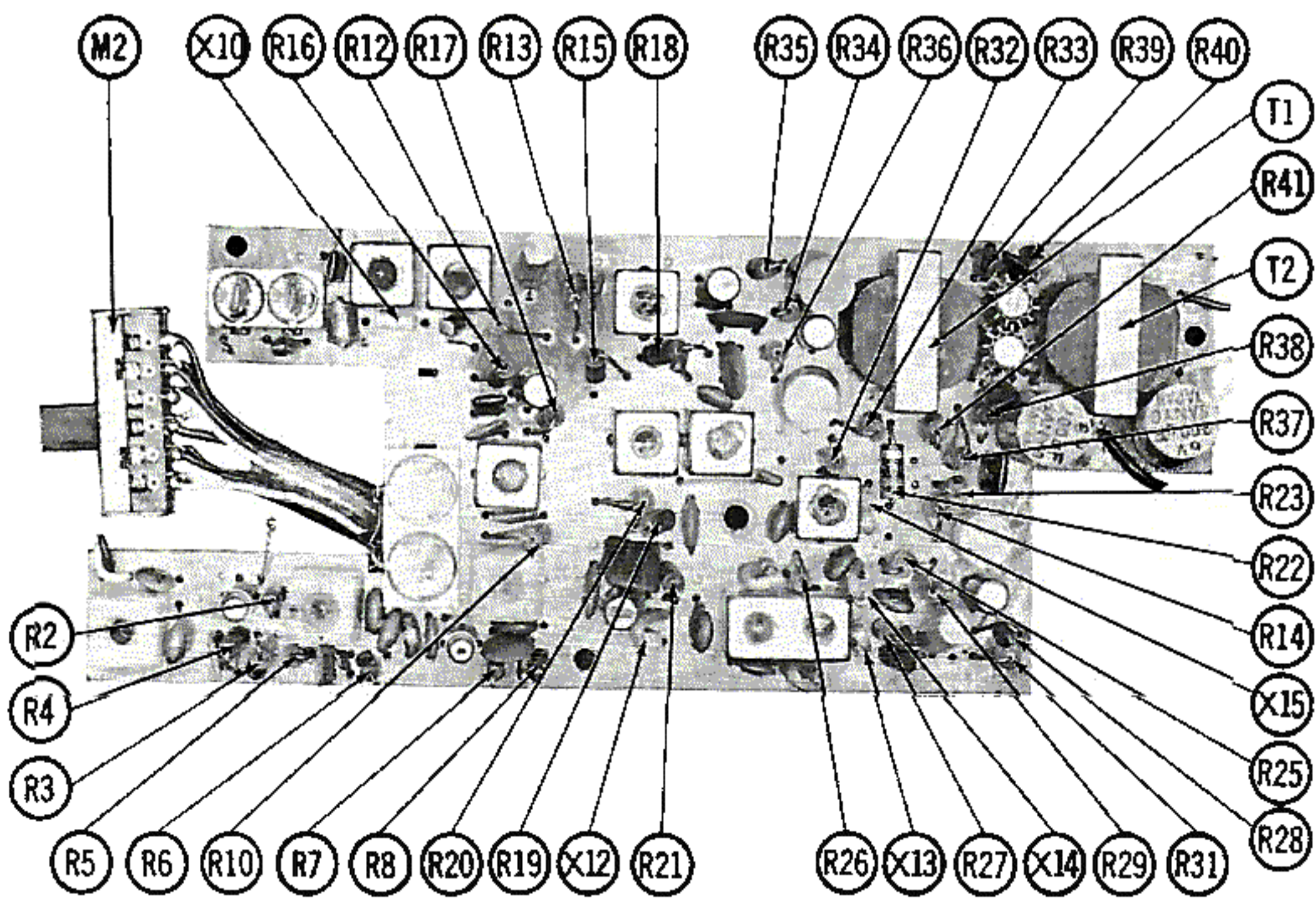
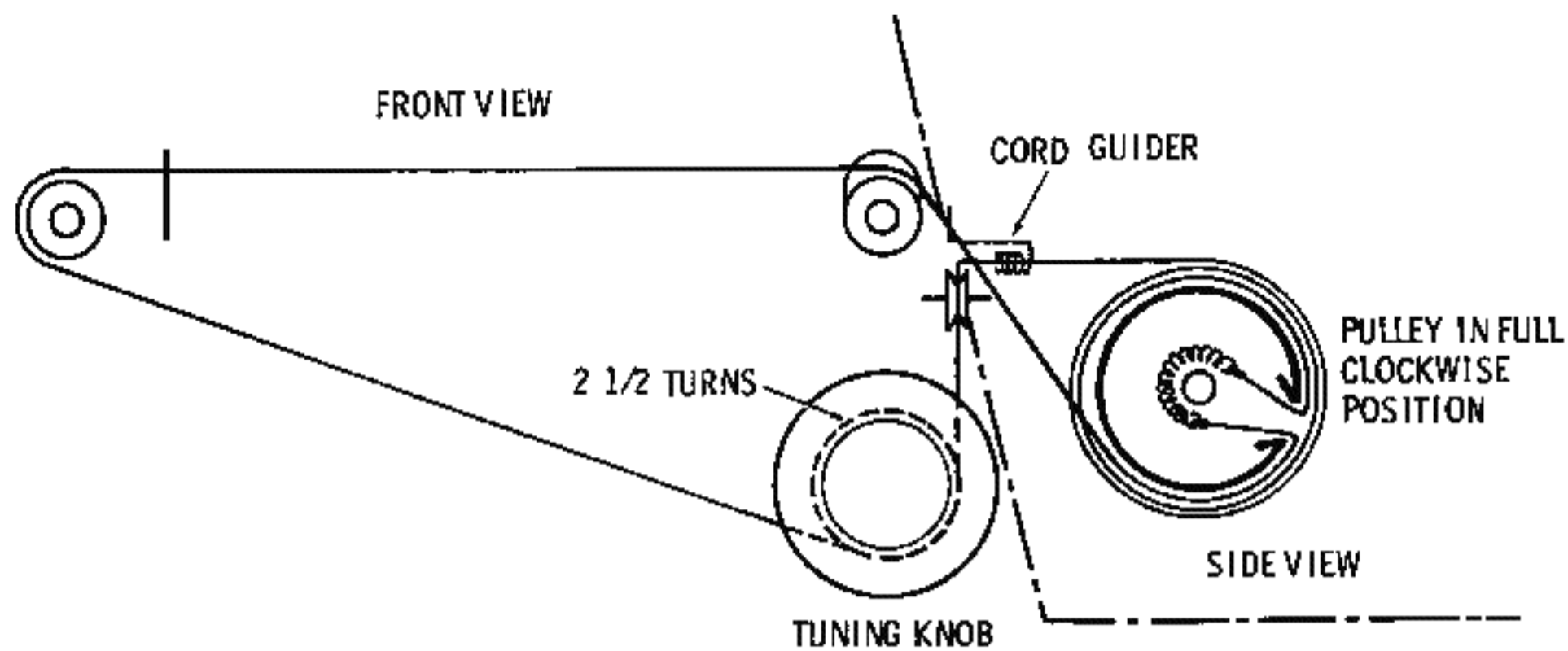
SCHEMATIC NOTES

1. Resistance measurements are not given because of the wide variation in internal transistor resistance.
 2. DC coil resistance values under one ohm are not shown on schematic.
 3. Numbers assigned to coils are to facilitate circuit tracing or component placement and may not necessarily be found on the unit.
 4. Arrows on controls indicate clockwise rotation (control viewed from shaft end).
 5. Transistor terminals are shown as bottom views.
 6. DC voltage measurements taken with VTVM with AM-FM switch in AM position unless otherwise noted.
 7. Nominal tolerance on component values makes possible a variation of $\pm 15\%$ in voltage readings.
 8. Volume control at maximum, no signal applied.
- Measured with AM-FM switch in FM position.



**CHANNEL MASTER
MODELS 6524, 6526**

DIAL CORD STRINGING



CHASSIS TOP VIEW - RESISTOR & MISC. IDENT.

PARTS LIST AND DESCRIPTION

TRANSISTORS

ITEM No.	ORIG. TYPE	USE	REPLACEMENT DATA			NOTES
			DELCO PART No.	GENERAL ELECTRIC PART No.	RCA PART No.	
X1	2SA240	FM RF Amplifier	DS25	GE-1		PNP
X2	2SA240	FM Converter	DS25	GE-1		PNP
	2SA240B2*	FM Converter	DS25	GE-1		PNP
X3	2SA93	1st FM IF Amplifier-AM Converter	DS25	GE-1		PNP
X4	2SA93	2nd FM-1st AM IF Amp.	DS25	GE-1		PNP
X5	2SA93	FM Limiter-2nd AM IF Amplifier	DS25	GE-1		PNP
X6	2SB54	AF Amplifier	DS26	GE-2	2N406	PNP
X7	2SB54	Driver	DS26	GE-2	2N406	PNP
X8	2SB189	Output	DS26	GE-2	2N408	PNP
X9	2SB189	Output	DS26	GE-2	2N408	PNP

* Alternate.

POWER RECTIFIERS & SIGNAL DIODES

ITEM No.	MEASURED CURRENT	ORIGINAL Part or Type No.	RECTIFIERS			NOTES
			MALLORY PART No.	RCA PART No.	SARKES TARZIAN PART No.	
X10		F136				AM Overload (IN60) FM Overload (IN60) FM Limiter (IN60) Discriminator (IN60) AM Detector (IN60)
X11		F136				
X12		F136				
X13		F136				
X14		F136				
X15		F136				

ELECTROLYTIC CAPACITORS

ITEM No.	RATING		Channel Master PART No.	REPLACEMENT DATA					
	CAP.	VOLT.		AEROVOX PART No.	CORNELL-DUBILIER PART No.	GENERAL ELECTRIC PART No.	MALLORY PART No.	PYRAMID PART No.	SPRAGUE PART No.
C1	5	6	A010	BCD6005	ECPB405	MT1-3	TT6X5	MLV5-6	VL-1084
C2	30	6	A009	BCD6025	ECPB412	MT1-10	TT6X30	MLV30-6	VL-1090
C3	5	6	A010	BCD6005	ECPB405	MT1-3	TT6X5	MLV5-6	VL-1084
C4	30	6	A009	BCD6025	ECPB412	MT1-10	TT6X30	MLV30-6	VL-1090
C5	100	6	A149	BCD6100	ECPB117	MT1-18	TT6X100	MLV100-6	VL-1100
C6	200	6	A114	BCD6200					VL-1108
C7	200	6	A114	BCD6200					VL-1108

Ⓞ Some versions may use 30mfd in this application (Part #A009).

FIXED CAPACITORS

ITEM No.	RATING	REMARKS	REPLACEMENT DATA						
			AEROVOX PART No.	CENTRALAB PART No.	CORNELL-DUBILIER PART No.	ELMENCO PART No.	MALLORY PART No.	SPRAGUE PART No.	
C8	25 10%	#F313	DI-25	DD-250	L10Q25	CCD-250	GP425	10TS-Q25	
C9	20 10%		DI-20	DD-200	L10Q2	CCD-200	GP420	10TS-Q20	
C10A									
C11	.005			TTD-005	CK-502	H05D5	CCD-502	TA-250	TG-D50
C12	3			DI-3.3	DD-3R3	L10V33	CCO-3R3	GP533	
C13	.005	#F314	TTD-005	CK-502	H05D5	CCD-502	TA-250	TG-D50	
C14	20 10%		DI-20	DD-200	L10C2	CCD-200	GP420	10TS-Q20	
C15	500 10%		DI-500	DD-501		CCD-501	GP350	10TS-T50	
C16	.001		DI-1000	DD-102	H05D1	CCD-102	GP210	10TS-D10	
C17	50		DI-50	DD-500	L10Q5	CCD-500	GP450	10TS-Q50	
C18	3 10%		DI-3.3	DD-3R3	L10V33	CCO-3R3	GP533	10TS-V33	
C19	.005		TTD-005	CK-502	H05D5	CCD-502	TA-250	TG-D50	
C20	.005		TTD-005	CK-502	H05D5	CCD-502	TA-250	TG-D50	
C21A									
C22	5			DI-5	DD-050	L10V5	CCD-050	GP550	10TS-V50
C23	10		DI-10	DD-100	L10Q1	CCD-100	GP410	10TS-Q10	
C24	330		CI-330	DD-330	L10T33	CCD-331	GP333	10TS-T33	
C25	.005		TTD-005	CK-502	H05D5	CCD-502	TA-250	TG-D50	
C26	280 10%		CI-270	DD-271	L10T27	CCD-271	GP327	10TS-T27	
C27	.002		DI-2000	DM-202	L10D2	CCD-202	GP220	10TS-D20	
C28	15		DI-15	DD-150	L10Q15	CCD-150	GP415	10TS-Q15	
C29	.005		TTD-005	CK-502	H05D5	CCD-502	TA-250	TG-D50	
C30	6		DI-6	DD-060	L10V68	CCO-6R8	GP568	10TS-V60	
C31	.01		TTD-01	CK-103	H05S1		TA-110	TG-S10	
C32	200		DI-200	DD-201	L10T2	CCD-201	GP320	10TS-T20	
C33	.01		TTD-01	CK-103	H05S1		TA-110	TG-S10	
C34	8		DI-8	DD-080	L10V8		GP580	10TS-V80	
C35	25 10%		DI-25	DD-250	L10Q25	CCD-250	GP425	10TS-Q25	
C36	20 10%		DI-20	DD-200	L10Q2	CCD-200	GP420	10TS-Q20	
C37	200		DI-200	DD-201	L10T2	CCD-201	GP320	10TS-T20	
C38	.04		TTD-05	CK-503	H05S5			TG-S50	
C39	200		DI-200	DD-201	L10T2	CCD-201	GP320	10TS-T20	
C40	200		DI-200	DD-201	L10T2	CCD-201	GP320	10TS-T20	
C41	.004		TTD-005	CK-502	H05D5	CCD-392	TA-250	TG-D50	
C42	.04		TTD-05	CK-503	H05S5			TG-S50	
C43	.02		TTD-02	CK-203	H05S2		TA-120	TG-S20	
C44	.01		TTD-01	CK-103	H05S1		TA-110	TG-S10	
C45	.005		TTD-005	CK-502	H05D5	CCD-502	TA-250	TG-D50	
C46	.005		TTD-005	CK-502	H05D5	CCD-502	TA-250	TG-D50	

Channel Master Part Number.

PARTS LIST AND DESCRIPTION (CONTINUED)

CONTROLS

All wattages 1/2 watt, or less, unless otherwise listed.

ITEM No.	USE	RESIST-ANCE	REPLACEMENT DATA				
			Channel Master PART No.	CENTRALAB PART No.	CLAROSTAT PART No.	CTS-IRC PART No.	MALLORY PART No.
R1	Volume & Switch	10K	E055				

COILS (RF-IF)

ITEM No.	USE	REPLACEMENT DATA					NOTES
		Channel Master PART No.	MERIT PART No.	MILLER PART No.	STANCOR PART No.	WORKMAN PART No.	
L1	FM Ant.	E047					
L2	FM RF	F311					
L3	FM Choke	F316					
L4	FM Osc.	F312					
L5	1st FM IF	C079					
L6	2nd FM IF	C080					
L7	3rd FM IF	C080					
L8	Discriminator	C081					
L9	Loopstick	E054					
L10	AM Osc.	F315					
L11	1st AM IF	C082					
L12	2nd AM IF	C083	BC-575				
L13	3rd AM IF	C084	BC-576				

TRANSFORMER (DRIVER)

ITEM No.	TURNS RATIO		REPLACEMENT DATA				NOTES
	PRI.	SEC.	Channel Master PART No.	MERIT PART No.	STANCOR PART No.	THORDARSON PART No.	
T1	1.4	1	C071				

TRANSFORMER (AUDIO OUTPUT)

ITEM No.	IMPEDANCE		REPLACEMENT DATA				NOTES
	PRI.	SEC.	Channel Master PART No.	Merit PART No.	Stancor PART No.	Thordarson PART No.	
T2	130Ω CT	6-8Ω	C072				

SPEAKER

ITEM No.	TYPE			REPLACEMENT DATA		NOTES
	SIZE	FIELD	V. C. IMP.	Channel Master PART No.	QUAM PART No.	
SP1	3 1/2"	PM	6-8Ω	G-103	3A05RZ8	

COMPONENT COMBINATIONS

ITEM No.	USE	DESCRIPTION	Channel Master PART No.	REPLACEMENT DATA
K1 K2	X4 Emitter Bias X5 Emitter Bias	1000Ω, .04mfd 1000Ω, .04mfd	A065 A065	

BATTERIES

ITEM No.	VOLTAGE	Channel Master PART No.	REPLACEMENT DATA			NOTES
			BURGESS	EVEREADY	MALLORY	
M1	1 1/2 V		130	635	M-14R	4 Required

MISCELLANEOUS

ITEM No.	PART NAME	Channel Master PART No.	NOTES
M2 M3	Switch Tuning Cap. FM Antenna	F268 A150 E056	AM-FM 4 Gang (2P-24) Telescoping

CABINETS & CABINET PARTS

(When Ordering Cabinets & Cabinet Parts, Specify Model, Chassis & Color)

NAME	PART NO.	DESCRIPTION
Tuning Plate	E052	
Front Panel	F300	
Dial Pointer	F309	
Knob	F307	Tuning
Knob	F301	Volume
Handle	F302	Black
Handle	F303	Red
Cabinet	G040	Black, Complete
Cabinet	G041	Red, Complete

WIRING DATA

General-use Unshielded Hook-up Wire Use BELDEN No. 8530 (Solid 22AWG) Available in 12 Colors
 8524 (Stranded 22AWG)
 8570 (Stranded 26AWG)