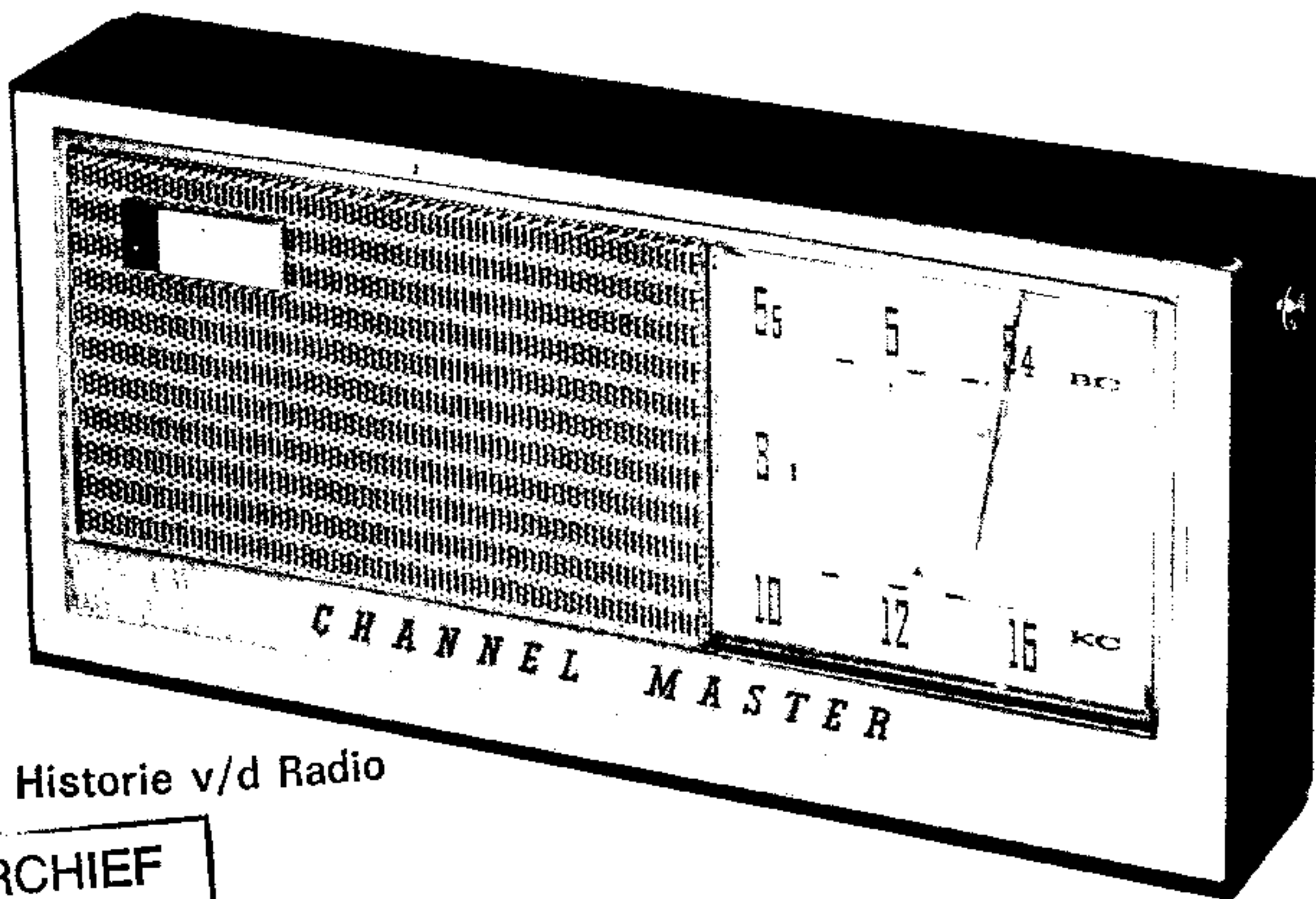
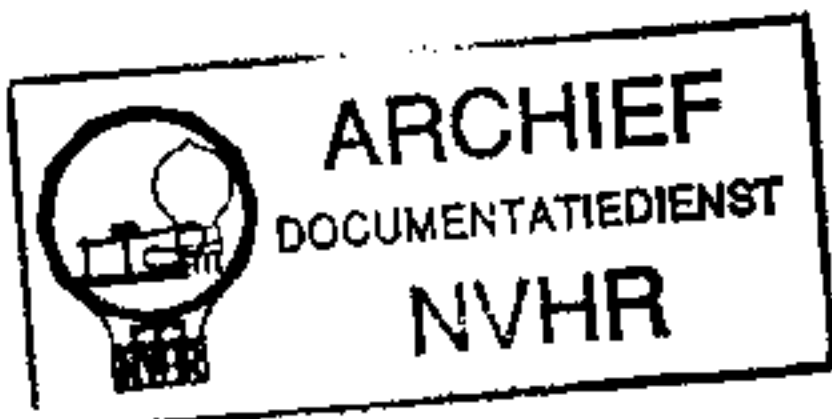


Met dank aan Jef Bos



Ned. Ver. v. Historie v/d Radio



TRADE NAME	Channel Master Model 6515		
IMPORTER	Channel Master Corp., Ellenville, N. Y.		
TYPE SET	Battery Operated Transistorized Portable AM Receiver		
POWER SUPPLY	6 Volts DC	RATING	12MA @ 6 Volts DC (No Signal, Min. Volume) 20MA @ 6 Volts DC (Signal, Normal Volume)
TUNING RANGE - BROADCAST	540 - 1600KC		

ALIGNMENT INSTRUCTIONS

ALIGNMENT INSTRUCTIONS—READ CAREFULLY BEFORE ATTEMPTING ALIGNMENT

Volume control should be at maximum position. Output of signal generator should be no higher than necessary to obtain an output reading.

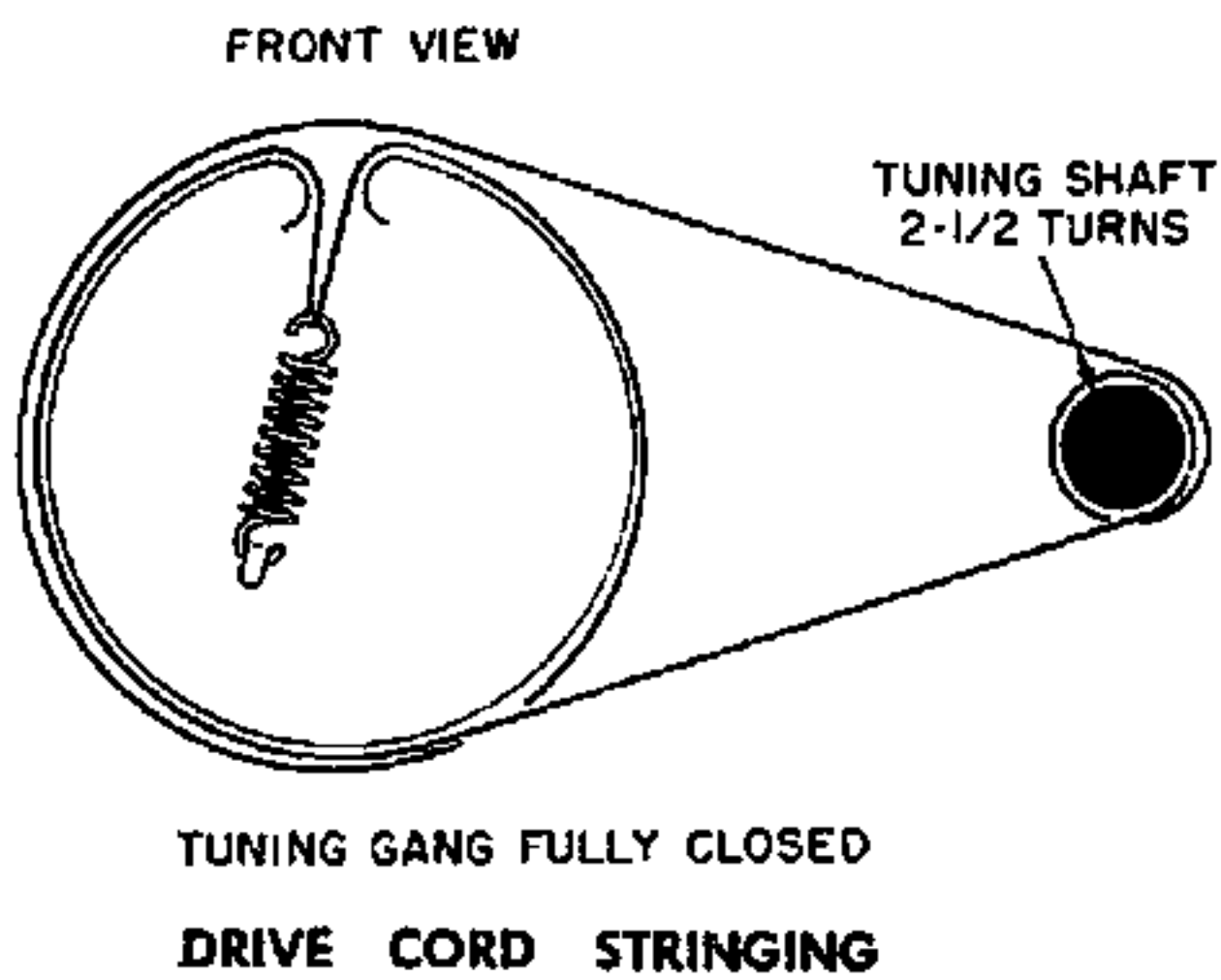
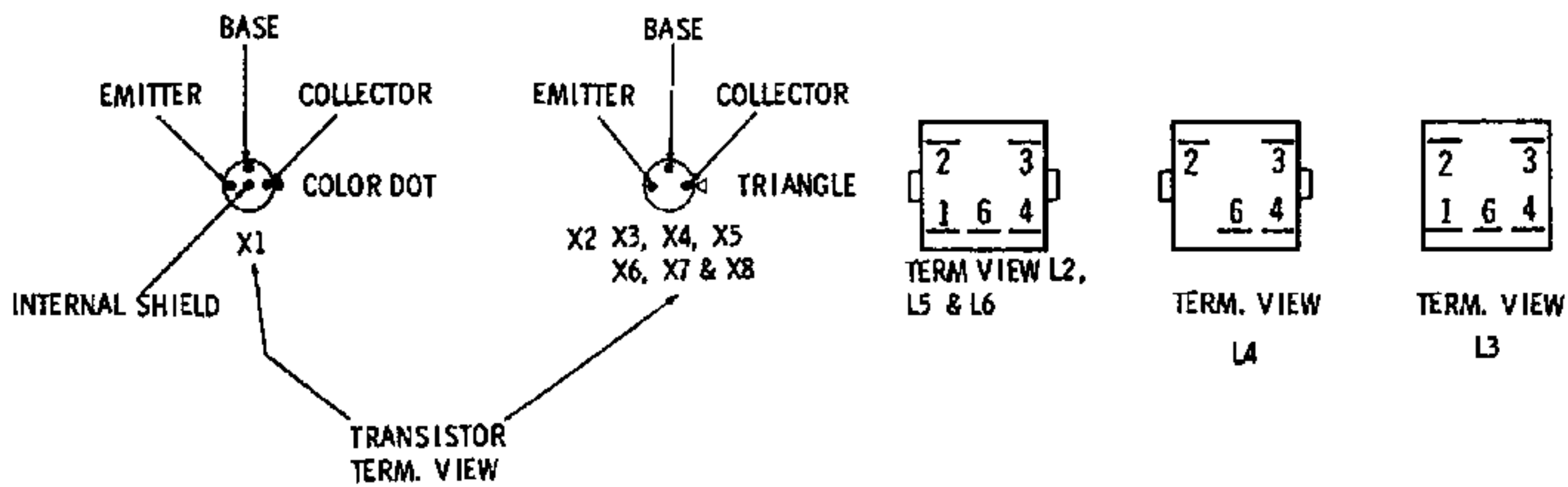
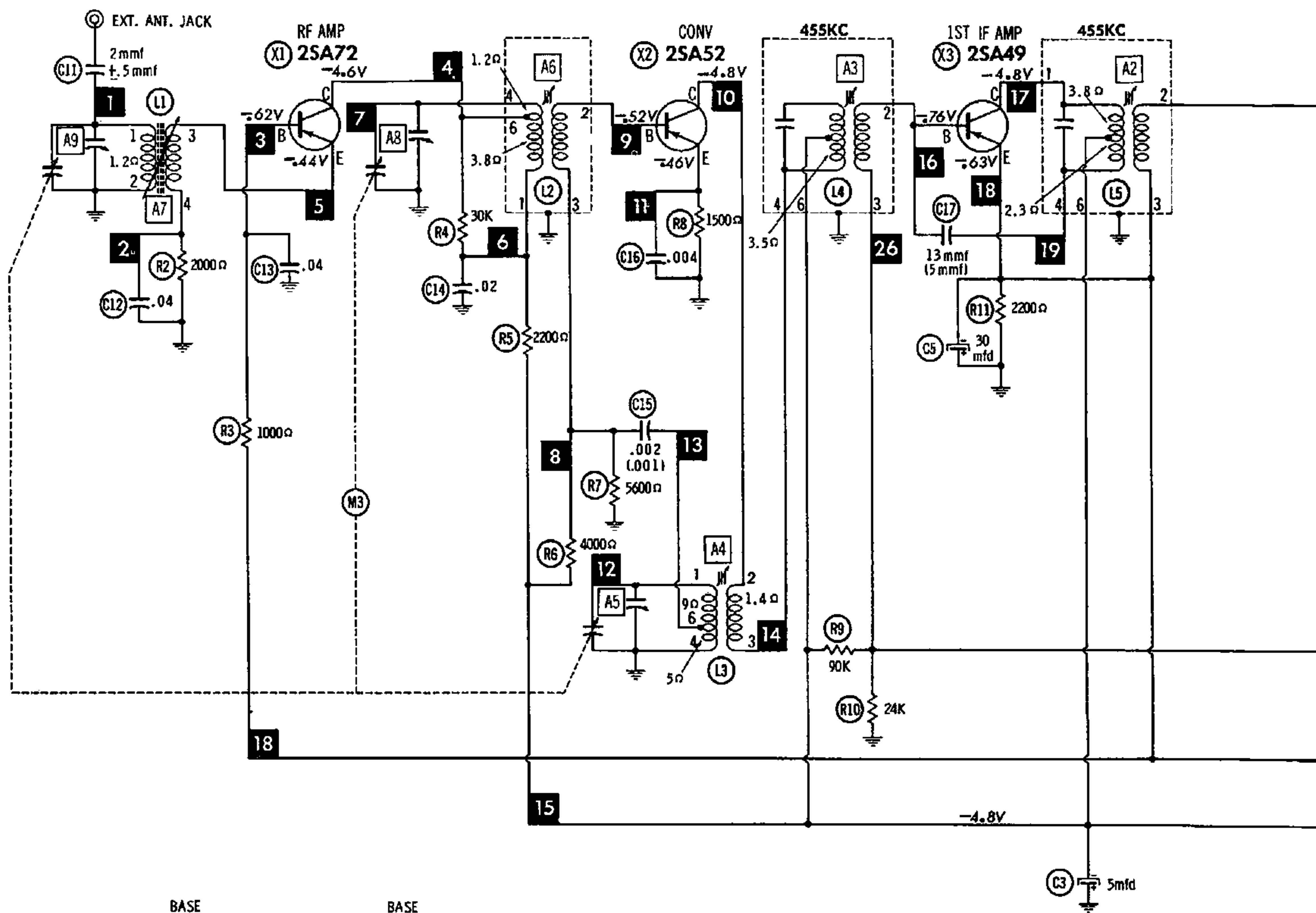
Suggested Alignment Tools: A1, A2, A3, A6..... GENERAL CEMENT #8607, 9291, 9294
 WALSCO #2520, 2522, 2523, 2524, 2534, 2537
 A4..... GENERAL CEMENT #5009, 8195, 8274, 8275, 8728, 8729, 8987, 8988, 8989
 WALSCO #2515, 2531, 2532
 A5, A8, A9..... GENERAL CEMENT #5000, 5003, 5066, 8276, 8290, 9087, 9089
 WALSCO #2512, 2525, 2528

	SIGNAL GENERATOR COUPLING	SIGNAL GENERATOR FREQUENCY	RADIO DIAL SETTING	OUTPUT METER	ADJUST	REMARKS
1.	Fashion loop of several turns of wire and radiate signal into loop of receiver. Adjust for maximum output.	455KC (400% Mod.)	Tuning gang fully closed.	Across voice coil.	A1, A2, A3	Adjust for maximum output.
2.	"	530KC	"	"	A4	"
3.	"	1650KC	Tuning gang fully open.	"	A5	Adjust for maximum output. Repeat Steps 2 & 3.
4.	"	600KC	600KC	"	A6, A7	Adjust for maximum output.
5.	"	1400KC	1400KC	"	A8, A9	Adjust for maximum output. Repeat Steps 4 & 5.

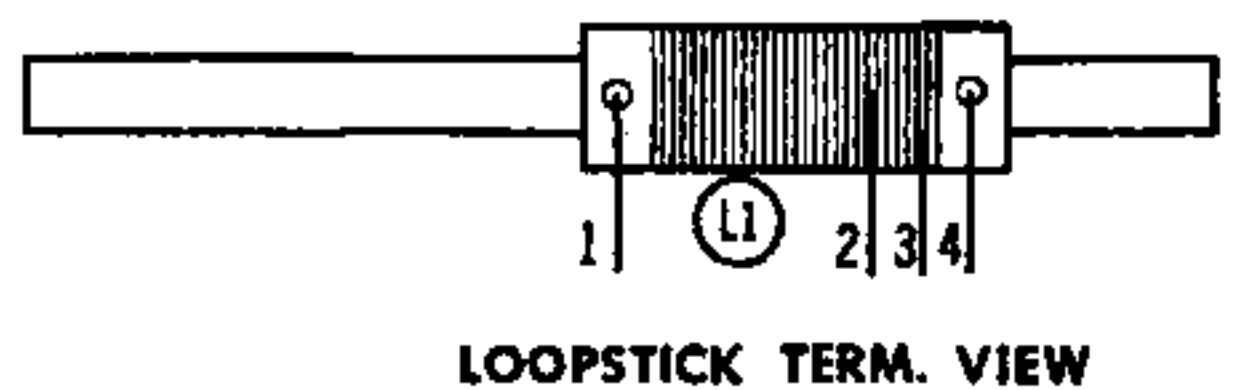
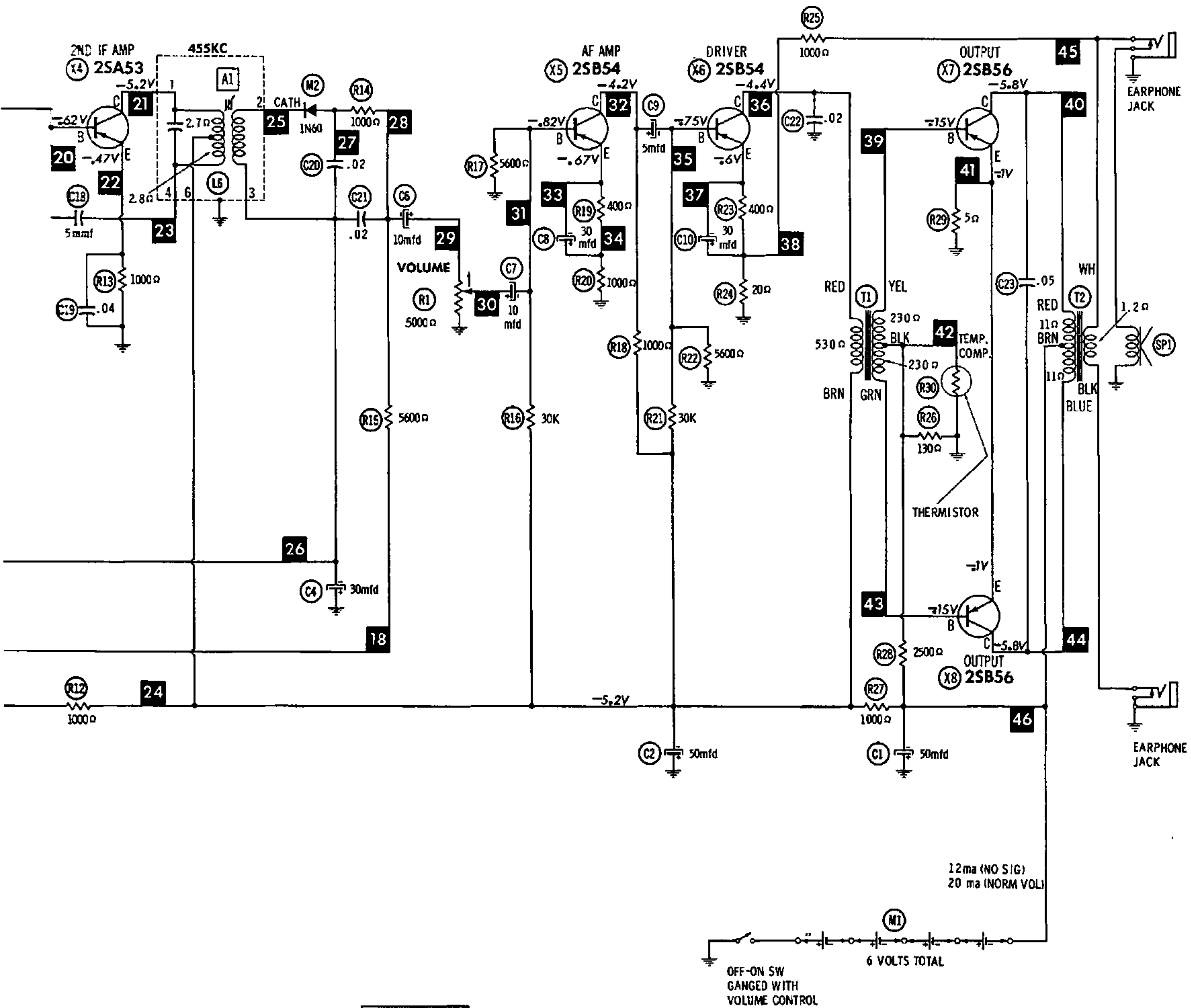
HOWARD W. SAMS & CO., INC. Indianapolis 6, Indiana

The listing of any available replacement part herein does not constitute in any case a recommendation, warranty or guaranty by Howard W. Sams & Co., Inc., as to the quality and suitability of such replacement part. The numbers of these parts have been compiled from information furnished to Howard W. Sams & Co., Inc., by the manufacturers of KG731

the particular type of replacement part listed. Reproduction or use, without express permission, of editorial or pictorial content, in any manner, is prohibited. No patent liability is assumed with respect to the use of the information contained herein. © 1961 Howard W. Sams & Co., Inc., Indianapolis 6, Indiana. Printed in U.S. of America



1. DC voltage measurements taken with vacuum tube voltmeter.
2. Socket connections or transistor terminals are shown as bottom views.
3. Measured values are from socket pin or terminal to common ground.
4. Nominal tolerance on component values makes possible a variation of $\approx 15\%$ in voltage and resistance readings.
5. Volume control at maximum, no signal applied for voltage measurements.



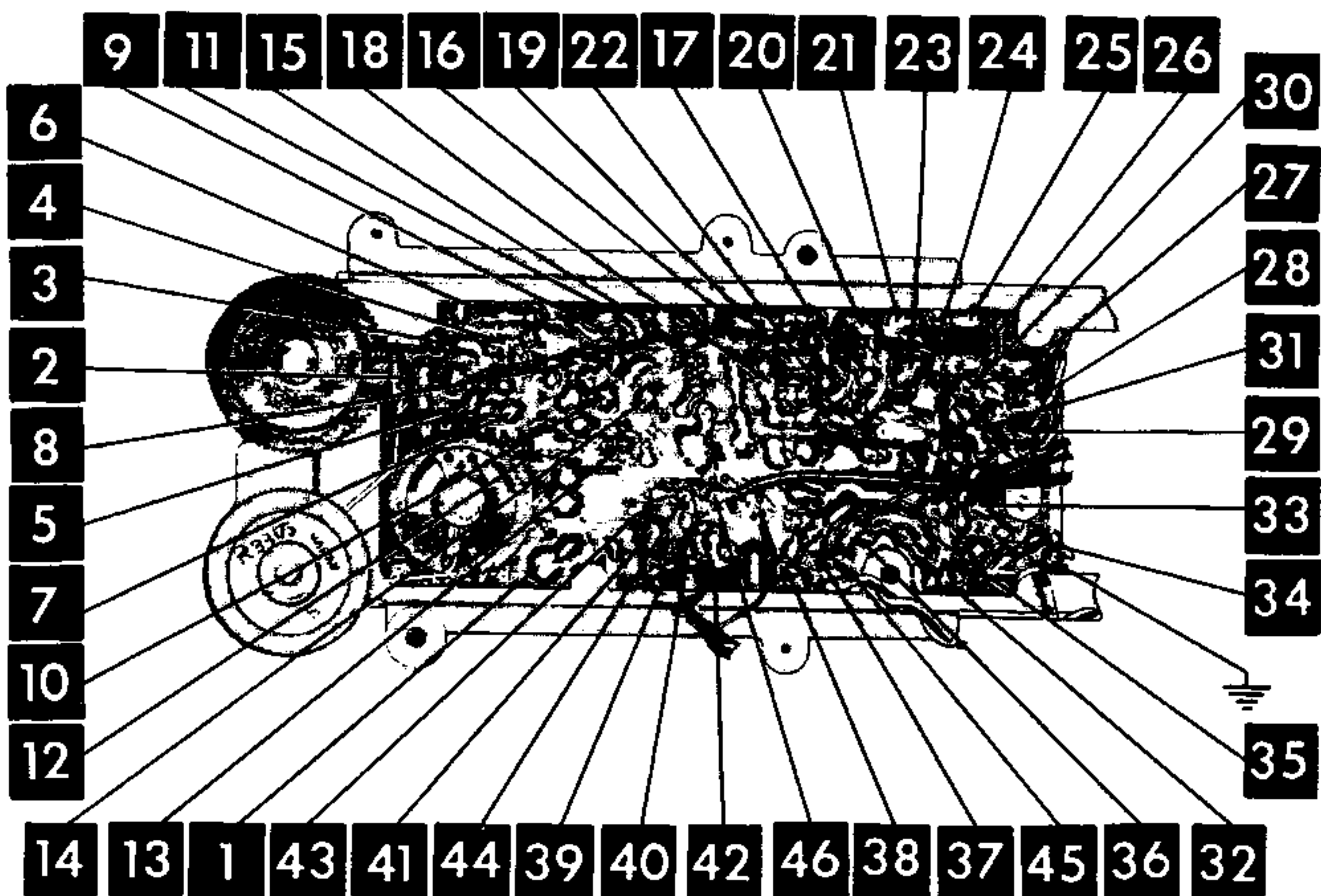
LOOPSTICK TERM. VIEW

NUMBERS ASSIGNED TO COILS ARE TO FACILITATE CIRCUIT TRACING OR COMPONENT REPLACEMENT AND MAY NOT NECESSARILY BE FOUND ON THE UNIT.

RESISTANCE MEASUREMENTS NOT GIVEN BECAUSE OF THE WIDE VARIATION IN INTERNAL TRANSISTOR RESISTANCE.

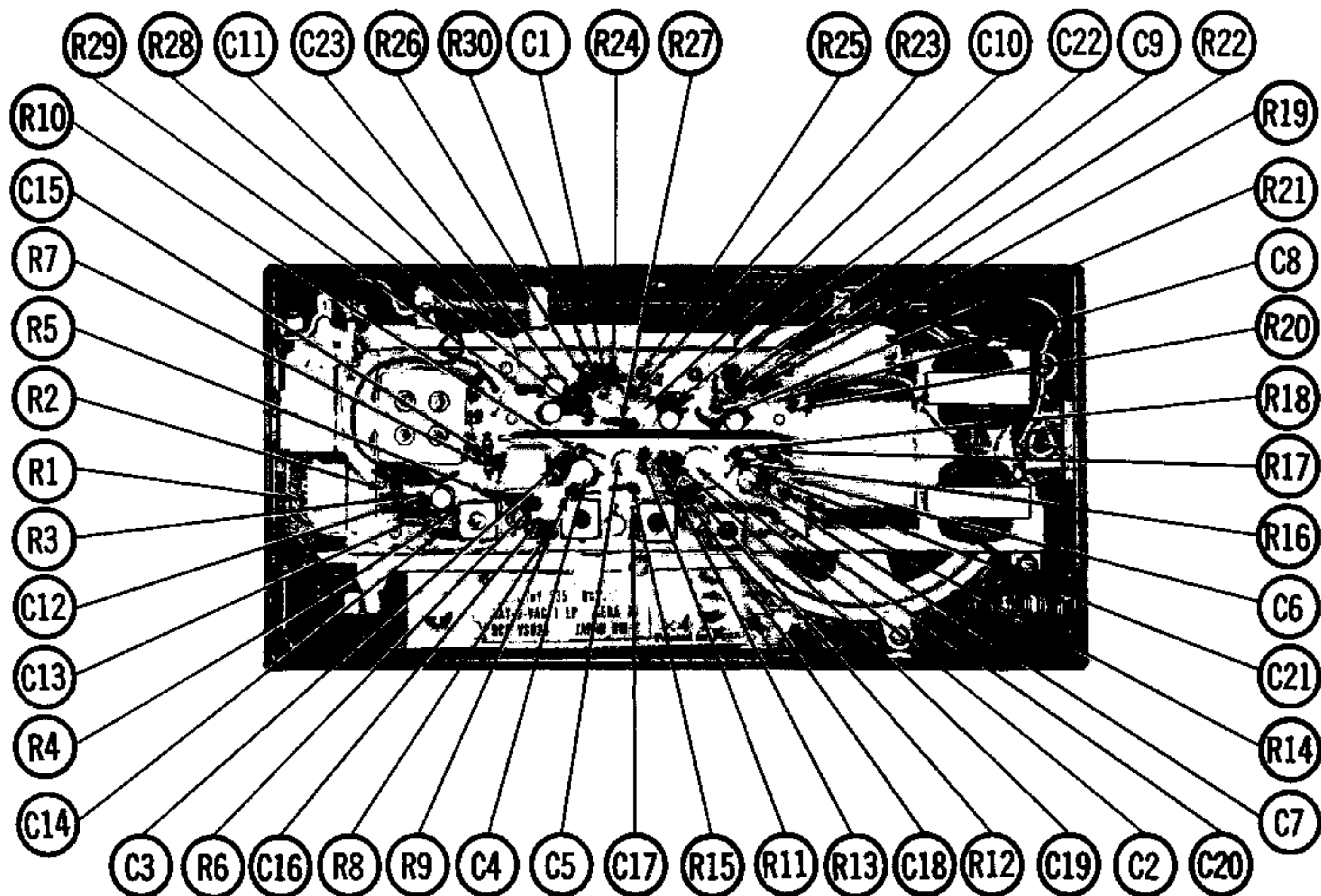
DC COIL RESISTANCE VALUES UNDER ONE OHM NOT SHOWN ON SCHEMATIC DIAGRAM

ARROWS ON CONTROLS INDICATE CLOCKWISE ROTATION (CONTROL VIEWED FROM SHAFT END)



A Howard W. Sams **CIRCUITRACE** Photo

PRINTED BOARD



CHASSIS TOP VIEW-CAPACITOR & RESISTOR IDENT.

TRANSISTORS

ITEM No.	ORIG. TYPE	USE	REPLACEMENT DATA		NOTES
			RCA PART No.	RAYTHEON PART No.	
X1	2SA72	RF Amplifier			PNP
X2	2SA52	Converter			PNP
X3	2SA49	1st IF Amplifier			PNP
X4	2SA53	2nd IF Amplifier			PNP
X5	2SB54	AF Amplifier	2N406		PNP
X6	2SB54	Driver	2N406		PNP
X7	2SB56	Output	2N408		PNP
X8	2SB56	Output	2N408		PNP } Matched Pair

ELECTROLYTIC CAPACITORS

ITEM No.	RATING		REPLACEMENT DATA						NOTES
	CAP.	VOLT.	Channel Master PART No.	AEROVOX PART No.	CORNELL-DUBILIER PART No.	MALLORY PART No.	PYRAMID PART No.	SPRAGUE PART No.	
C1	50	9	A031	BCD10050	NLW50-10	TT10X50	MLV50-10	TE-1119	
C2	50	9	A031	BCD10050	NLW50-10	TT10X50	MLV50-10	TE-1119	
C3	5	6	A010	PTT21	NLW5-15	TT6X5	MLV5-6	TE-1084	
C4	30	3	A046	BCD3035	ECPB412	PET130	MLV30-6	VL-1043	
C5	30	3	A046	BCD3035	ECPB412	PET130	MLV30-6	VL-1043	
C6	10	3	A038	BCD3010	ECPB408	PET1340	MLV10-3	VL-1038	
C7	10	3	A038	BCD3010	ECPB408	PET1340	MLV10-3	VL-1038	
C8	30	3	A046	BCD3035	ECPB412	PET130	MLV30-6	VL-1043	
C9	5	6	A010	PTT21	NLW5-15	TT6X5	MLV5-6	TE-1084	
C10	30	3	A046	BCD3035	ECPB412	PET130	MLV30-6	VL-1043	

FIXED CAPACITORS

Capacity values given in the rating column are in mfd. for Paper Capacitors, and in mmfd. for Mica and Ceramic Capacitors.

ITEM No.	RATING	REMARKS	REPLACEMENT DATA					
			AEROVOX PART No.	CENTRALAB PART No.	CORNELL-DUBILIER PART No.	ELMENCO PART No.	MALLORY PART No.	SPRAGUE PART No.
C11	2 + .5mmf		NPO-DI 2.0	DTZ-2R2	C10V2C	CCTO-2R2	CNO-522	10TCC-V22
C12	.04	#A056						
C13	.04	#A056						
C14	.02		C80V203AM	DA-203	H-05S2		TA-120	TG-S20
C15	.002	(.001) †	SI 2000	DM-202	BYA10D2	CCD-202	B-220	5HK-D20
C16	.004		SI 4000	D6-402	BYA10D4	CCD-402	B-240	5HK-D40
C17	13	(5) †		TCZ-12	C10Q13C	CCTO-120	CNO-412	10TCC-Q12
C18	5 + .5mmf		NPO-DI 5.0	DTZ-4R7	C10V5C	CCTO-050	CNO-547	10TCC-V50
C19	.04	#A056						
C20	.02		C80V203AM	DA-203	H-05S2		TA-120	TG-S20

PARTS LIST AND DESCRIPTIONS (Continued)

COILS (RF-IF)

ITEM No.	USE	REPLACEMENT DATA					NOTES
		Channel Master PART No.	Merit PART No.	Miller PART No.	Stancor PART No.	Workman TV PART No.	
L1	Loopstick	E025	BC-419	705-A		T532	
L2	RF	C045					
L3	Osc.	F193					
L4	1st IF	C042					
L5	2nd IF	C043					
L6	3rd IF	C044					

TRANSFORMER (DRIVER)

ITEM No.	TURNS RATIO		REPLACEMENT DATA					NOTES
			Channel Master PART No.	Merit PART No.	Stancor PART No.	Thordarson PART No.	Triad PART No.	
	PRI.	SEC.						
T1	1.3	1	C040					

TRANSFORMER (AUDIO OUTPUT)

ITEM No.	IMPEDANCE		REPLACEMENT DATA					NOTES
			Channel Master PART No.	Merit PART No.	Stancor PART No.	Thordarson PART No.	Triad PART No.	
	PRI.	SEC.						
T2	3600 CT	6-8Ω	C041					

SPEAKER

ITEM No.	TYPE			REPLACEMENT DATA		NOTES
				Channel Master PART No.	QUAM PART No.	
	SIZE	FIELD	V. C. IMP.			
SPL	3 1/2"	PM	6-8Ω	G097		

BATTERIES

ITEM No.	VOLTAGE	Channel Master PART No.	REPLACEMENT DATA						NOTES
			BURGESS		EVEREADY		MALLORY		
			"A"	"B"	"A"	"B"	"A"	"B"	
M1	1.5V			180 *		635 *		M-14R*	* 4 Required

SIGNAL DIODES

ITEM No.	ORIG. TYPE	REPLACEMENT DATA			NOTES
		Channel Master PART No.	GENERAL ELECTRIC PART No.	RAYTHEON PART No.	
M2	1N60	F136		1N60	Detector (Pigtail)

MISCELLANEOUS

ITEM No.	PART NAME	Channel Master PART No.	NOTES
M3	Tuning Cap.	A059	3 Gang

WIRING DATA

General-use Unshielded Hook-up Wire Use BELDEN No. 8530 (Solid) Available in Ten Colors
8524 (Stranded) Available in Ten Colors

CHASSIS—TOP VIEW

