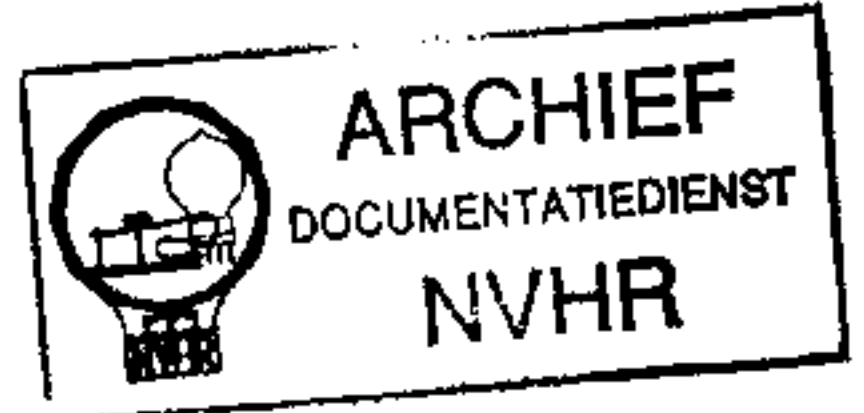


Met dank aan Jef Bos

Ned. Ver. v. Historie v/d R



TRADE NAME	Channel Master Model 6512-2		
SUPPLIER	Channel Master Corp., Ellenville, N. Y.		
TYPE SET	Battery Operated Transistorized Portable BC-SW Receiver		
POWER SUPPLY	6 Volts DC	RATING	10MA @ 6 Volts DC (No Signal, Min. Volume) 25MA @ 6 Volts DC (Signal, Normal Volume)
TUNING RANGE—BROADCAST	530-1650KC	SHORT WAVE	3.8-12.5MC

ALIGNMENT INSTRUCTIONS

ALIGNMENT INSTRUCTIONS—READ CAREFULLY BEFORE ATTEMPTING ALIGNMENT

Volume control should be at maximum position. Output of signal generator should be no higher than necessary to obtain an output reading.

Suggested Alignment Tools:

- A1 thru A4, A6..... GENERAL CEMENT #8607, 9291, 9294
WALSCO #2520, 2522, 2523, 2524, 2534, 2537
- A5, A7, A9, A11..... GENERAL CEMENT #5000, 5003, 5066, 8276, 8290, 9087, 9089
WALSCO #2512, 2525, 2528
- A10..... GENERAL CEMENT #8721, 8722
WALSCO #2519

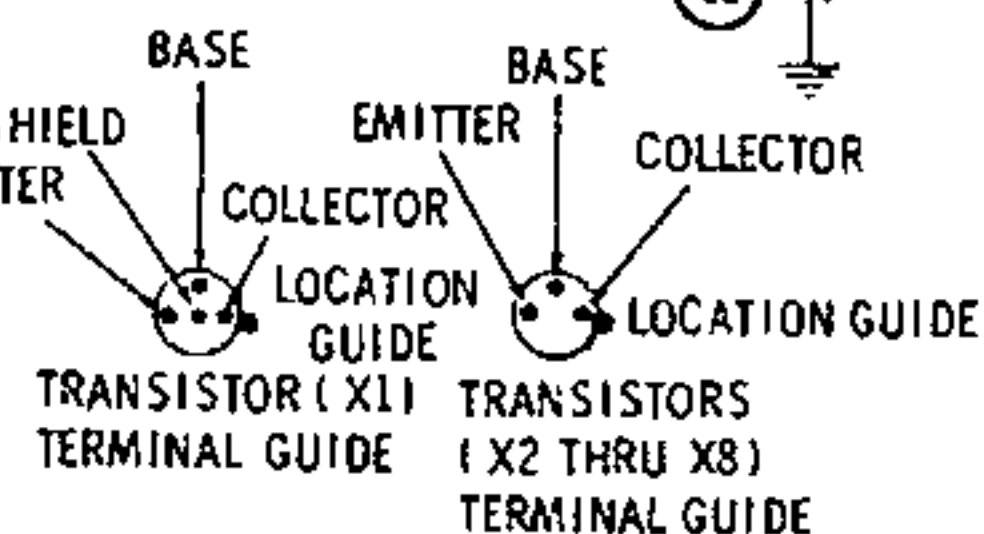
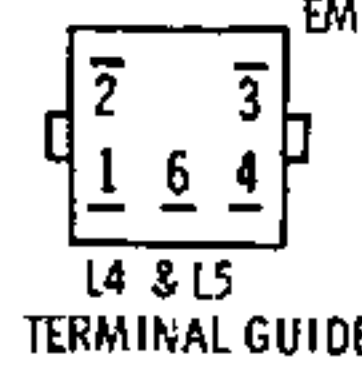
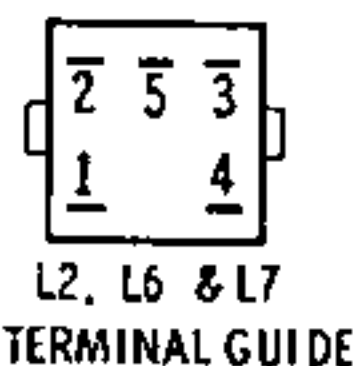
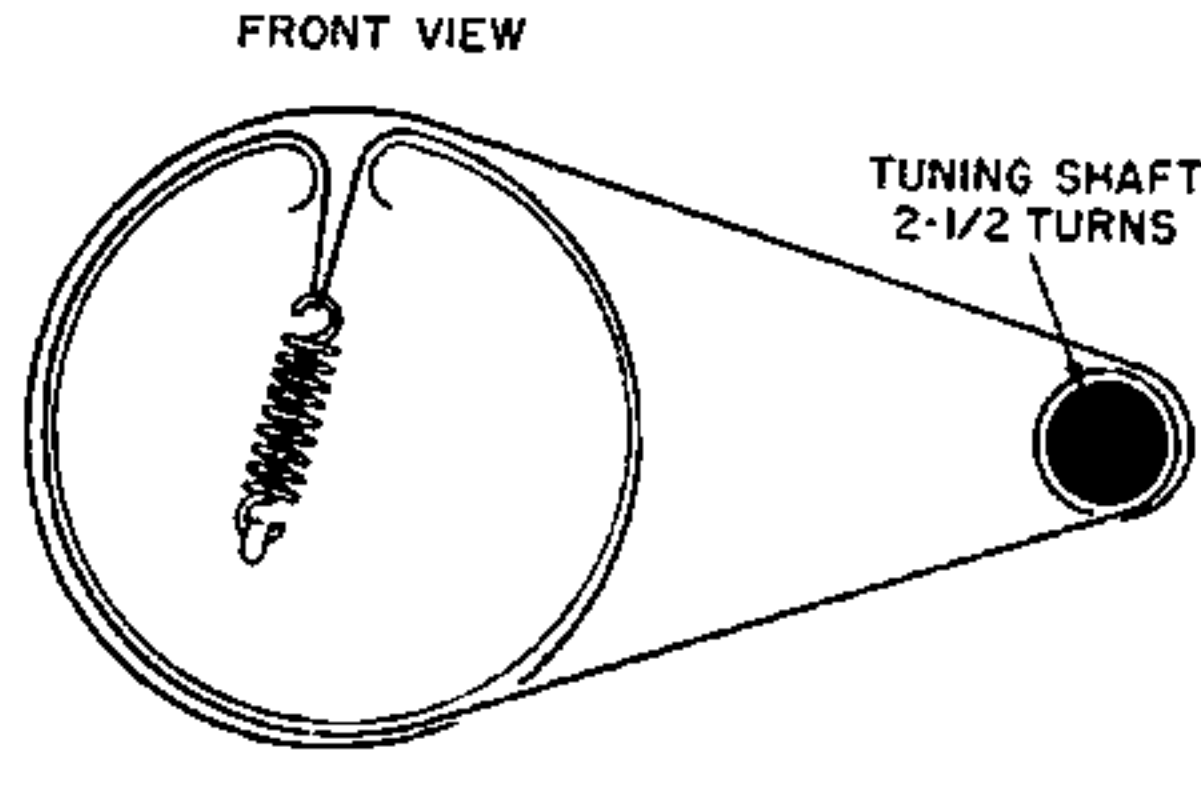
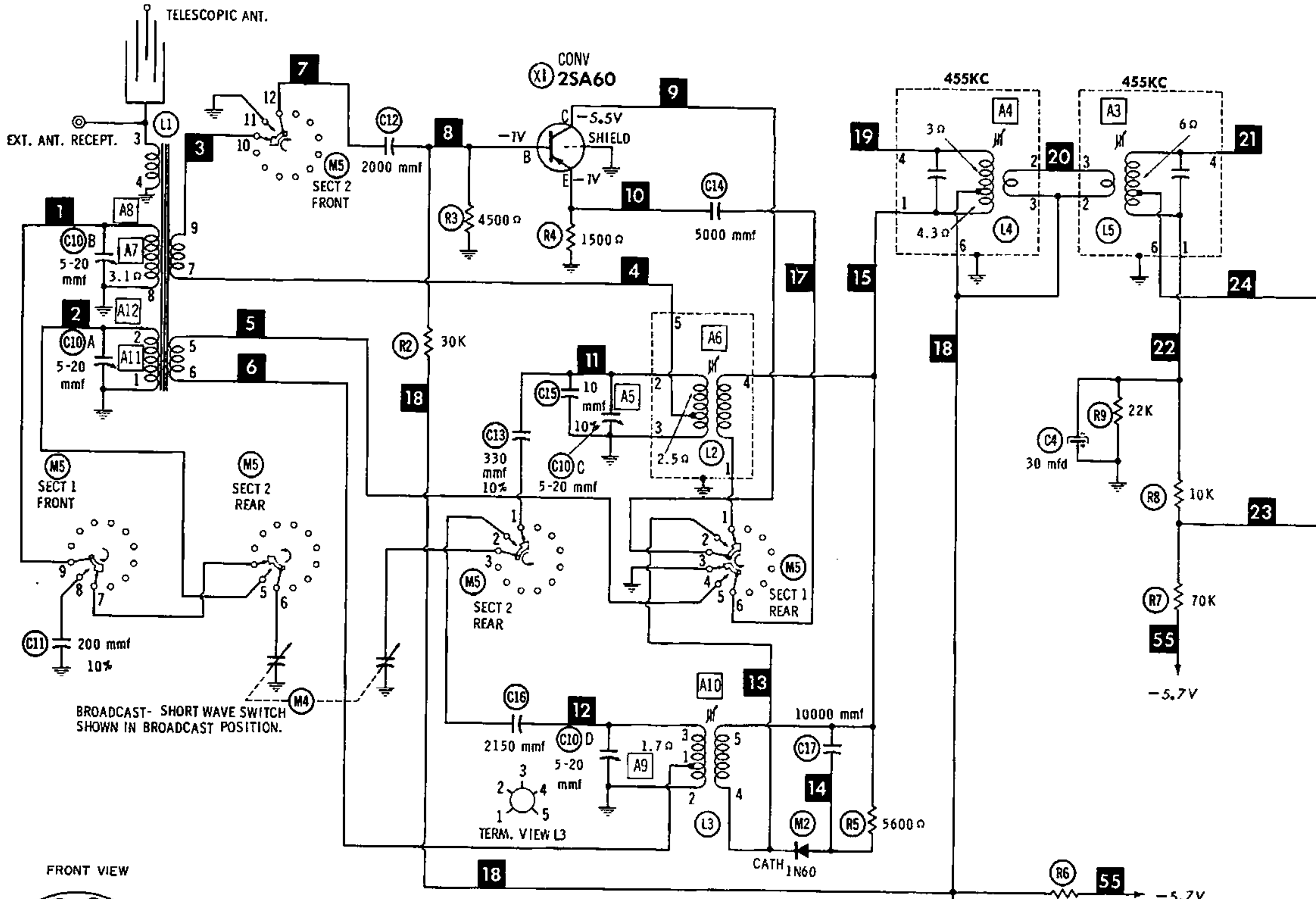
	SIGNAL GENERATOR COUPLING	SIGNAL GENERATOR FREQUENCY	RADIO DIAL SETTING	OUTPUT METER	ADJUST	REMARKS
-	High side thru .1mfd to Base of Mixer. Low side to chassis.	455KC (400% Mod.)	(BC) Tuning gang fully open.	Across voice coil.	A1, A2, A3, A4	Adjust for maximum output.
1.	Fashion loop of several turns of wire and radiate signal into loop of receiver.	1650KC	"	"	A5	"
1.	"	530KC	Tuning gang fully closed.	"	A6	"
1.	"	1400KC	1400KC Signal.	"	A7	"
1.	"	600KC	600KC Signal.	"	A8	Adjust for maximum output by moving antenna coil turns along ferrite core.
1.	"	12.5MC	(SW) 12.5MC	"	A9	Adjust for maximum output.
1.	"	3.8MC	3.8MC	"	A10	"
1.	"	12MC	12MC Signal.	"	A11	"
1.	"	4.2MC	4.2MC Signal.	"	A12	Adjust for maximum output by moving antenna coil turns along ferrite core. Repeat steps 2 thru 9.

HOWARD W. SAMS & CO., INC. Indianapolis 6, Indiana



The listing of any available replacement part herein does not constitute in any case a recommendation, warranty or guaranty by Howard W. Sams & Co., Inc., as to the quality and suitability of such replacement part. The numbers of these parts have been compiled from information furnished to Howard W. Sams & Co., Inc., by the manufacturers of KF993

the particular type of replacement part listed. Reproduction or use, without express permission, of editorial or pictorial content, in any manner, is prohibited. No patent liability is assumed with respect to the use of the information contained herein. ©1962 Howard W. Sams & Co., Inc., Indianapolis 6, Indiana. Printed in U.S. of America

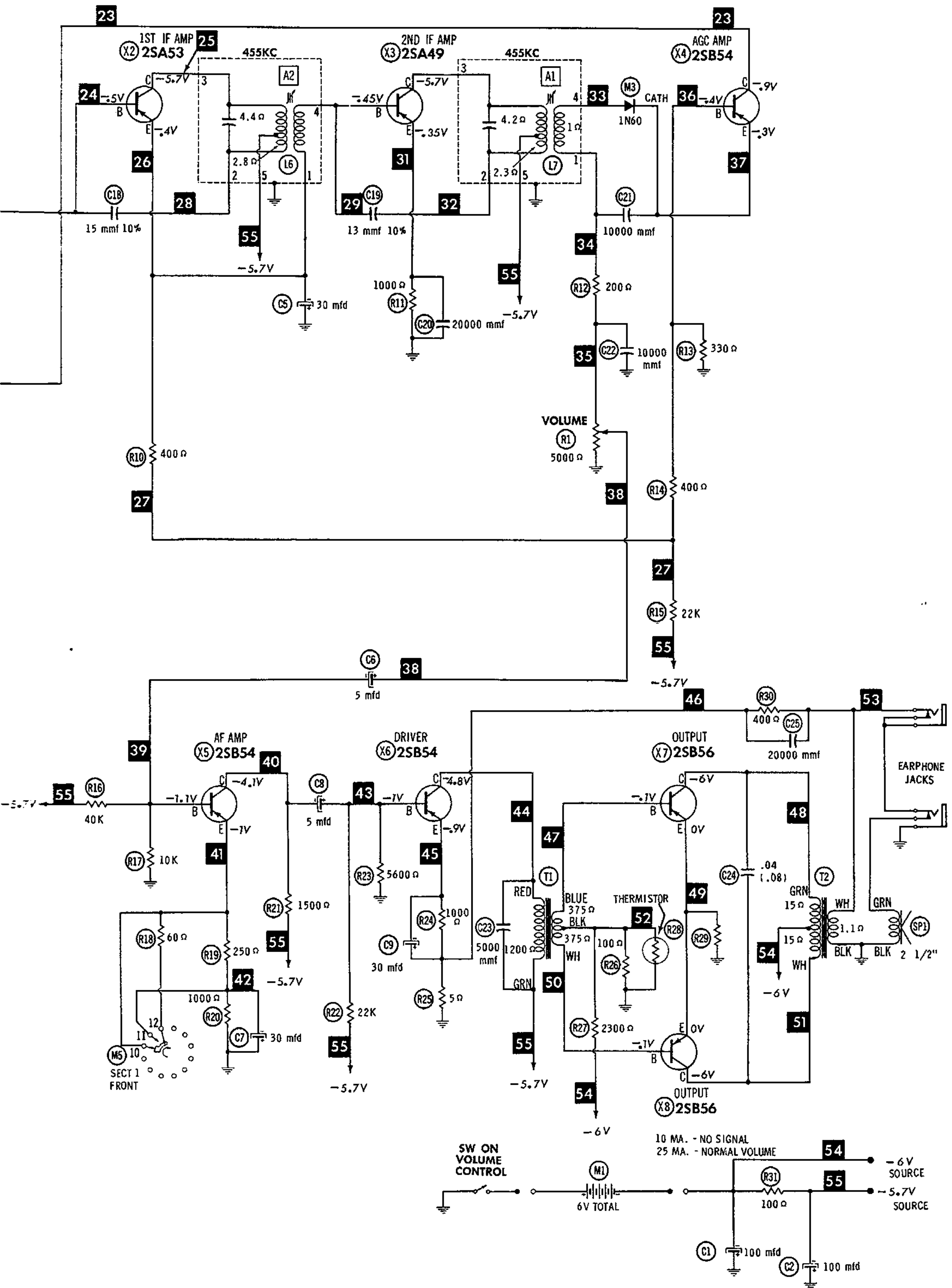


DC COIL RESISTANCE VALUES UNDER ONE OHM NOT SHOWN ON SCHEMATIC DIAGRAM

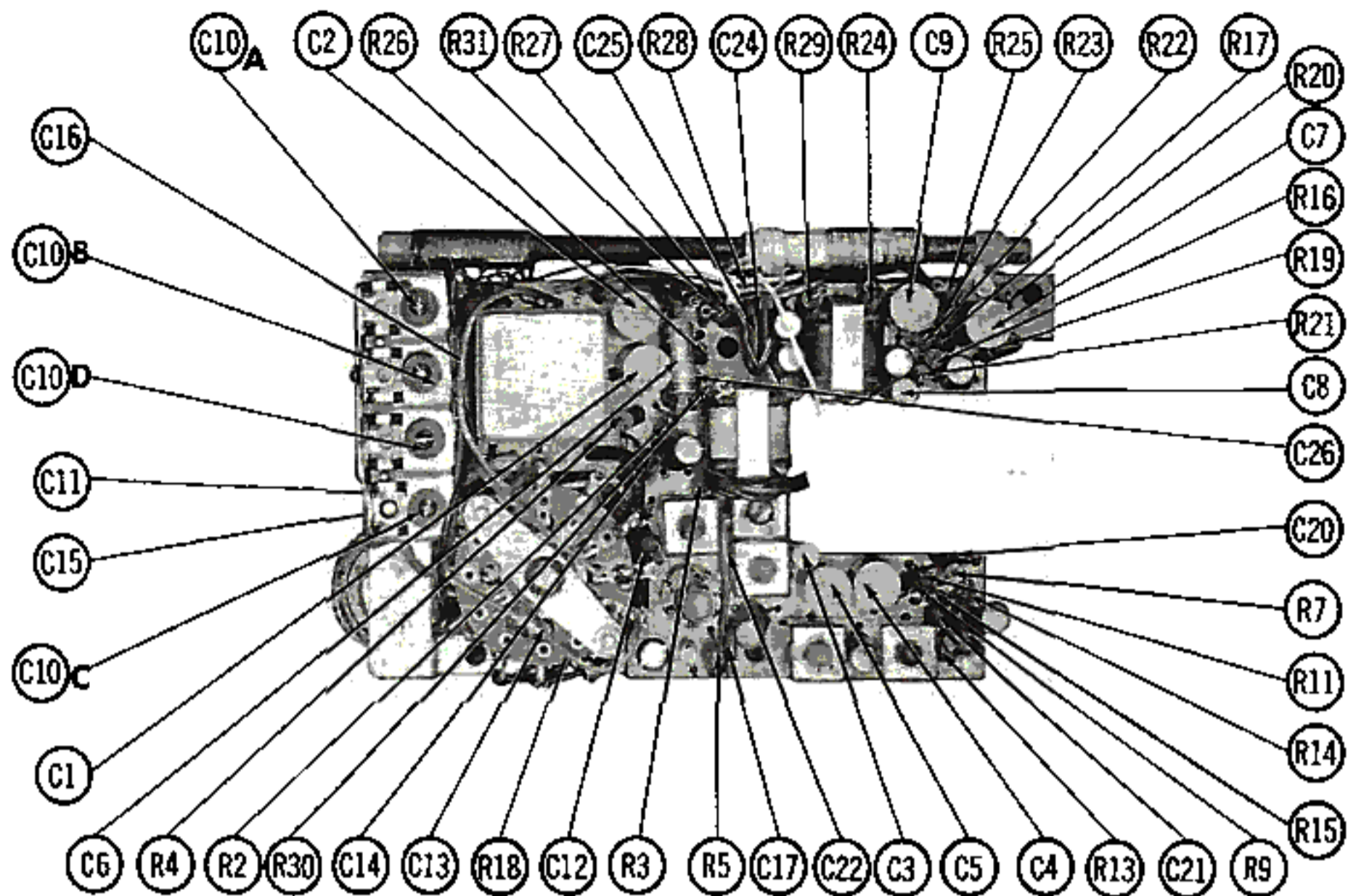
RESISTANCE MEASUREMENTS NOT GIVEN BECAUSE OF THE WIDE VARIATION IN INTERNAL TRANSISTOR RESISTANCE.

NUMBERS ASSIGNED TO COILS, SWITCHES, PLUGS, SOCKETS, AND TRANSFORMERS ARE TO FACILITATE CIRCUIT TRACING OR COMPONENT REPLACEMENT AND MAY NOT NECESSARILY BE FOUND ON THE UNIT.

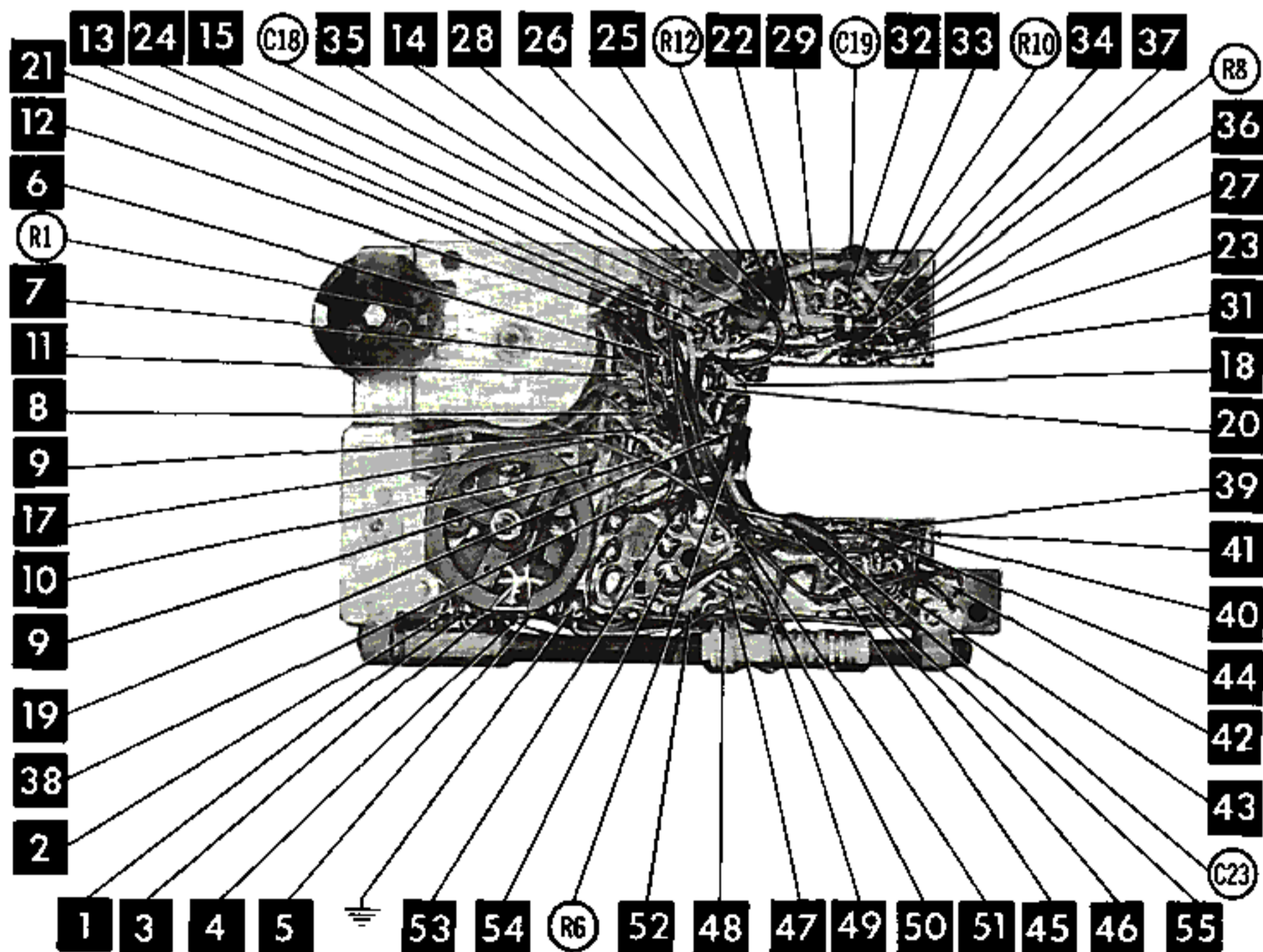
1. DC voltage measurements taken with vacuum tube voltmeter.
2. Socket connections or transistor terminals are shown as bottom views.
3. Measured values are from socket pin or terminal to common ground.
4. Nominal tolerance on component values makes possible a variation of ±15% in voltage and resistance readings.
5. Volume control at maximum, no signal applied for voltage measurements.



**CHANNEL MASTER
 MODEL 6512-2**



CHASSIS TOP VIEW-CAPACITOR & RESISTOR IDENT.



PARTS LIST AND DESCRIPTIONS

TRANSISTORS

ITEM No.	ORIG. TYPE	USE	REPLACEMENT DATA		NOTES
			RCA PART No.	RAYTHEON PART No.	
X1	2SA60	Converter			PNP
X2	2SA59	1st IF Amplifier	2N410	2N483	PNP
X3	2SA49	2nd IF Amplifier	2N410	2N483	PNP
X4	2SB54	AGC Amplifier	2N408	2N362	PNP
X5	2SB54	AF Amplifier	2N408	2N362	PNP
X6	2SB54	Driver	2N408	2N362	PNP
X7	2SB56	Output	2N408	2N632	PNP
X8	2SB56	Output	2N408	2N632	PNP

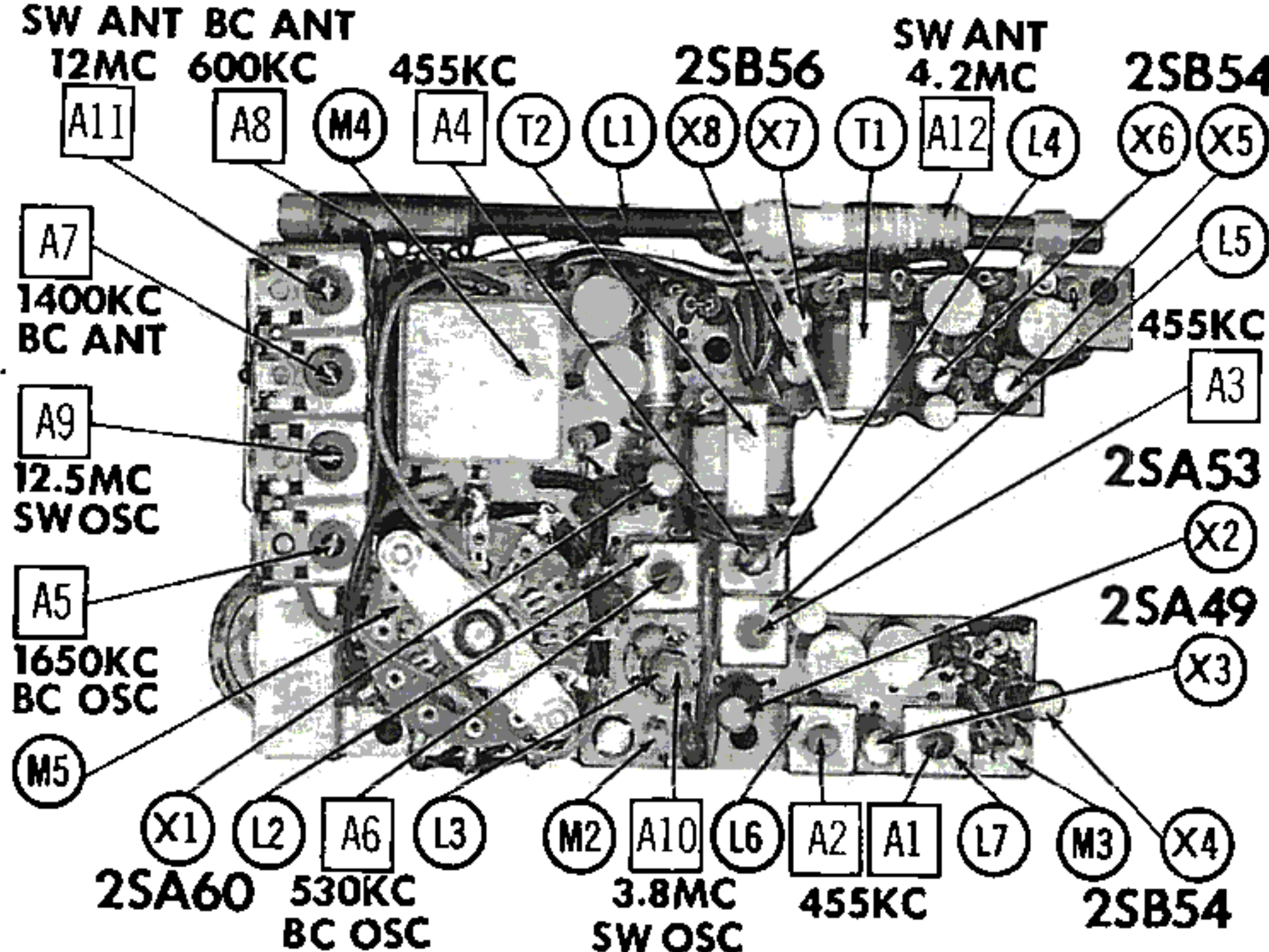
ELECTROLYTIC CAPACITORS

ITEM No.	RATING		REPLACEMENT DATA						
	CAP.	VOLT.	Channel Master PART No.	AEROVOX PART No.	CORNELL-DUBILIER PART No.	GENERAL ELECTRIC PART No.	MALLORY PART No.	PYRAMID PART No.	SPRAGUE PART No.
C1	100	6	A029	BCD6100	ECPB117	MT1-18	TT6X100	MLV100-6	TE-1102
C2	100	6	A029	BCD6100	ECPB117	MT1-18	TT6X100	MLV100-6	TE-1102
C3	5	6	A010	PTT21	NLW5-15	MT1-3	TT6X5	MLV5-6	TE-1084
C4	30	6	A009	BCD6025	ECPB412	MT1-13	TT6X30	MLV30-6	TE-1092
C5	30	6	A009	BCD6025	ECPB412	MT1-13	TT6X30	MLV30-6	TE-1092
C6	5	6	A010	PTT21	NLW5-15	MT1-3	TT6X5	MLV5-6	TE-1084
C7	30	6	A009	BCD6025	ECPB412	MT1-13	TT6X30	MLV30-6	TE-1092
C8	5	6	A010	PTT21	NLW5-15	MT1-3	TT6X5	MLV5-6	TE-1084
C9	30	6	A009	BCD6025	ECPB412	MT1-13	TT6X30	MLV30-6	TE-1092

FIXED CAPACITORS

ITEM No.	RATING	REMARKS	REPLACEMENT DATA					
			AEROVOX PART No.	CENTRALAB PART No.	CORNELL-DUBILIER PART No.	ELMENCO PART No.	MALLORY PART No.	SPRAGUE PART No.
C10A	5-20	} #A024						
B	5-20							
C	5-20							
D	5-20							
C11	200 10%			D6-201	L10T2	CCD-201	GP320	10TS-T20
C12	.002		SI 2000	D6-202	BYA10D2	CCD-202	GP220	10TS-D20
C13	330 10%			D6-331	L10T33	CCD-331	GP333	10TS-T33
C14	.005			D6-502	BYA10D5	CCD-502	TA-250	TG-D50
C15	10 25V		DI-10	DD-100	L10Q1	CCD-100	GP410	10TS-Q10
C16	2150mmf			D6-222	BYA10D22	CCD-222	GP222	10TS-D22
C17	.01			DM-103	H-0581		TA-110	TG-S10
C18	15 10%		DI-15	DD-150	L10Q15	CCD-150	CNO-415	10TS-Q15

CHASSIS—TOP VIEW



PARTS LIST AND DES

FIXED CAPACITORS (cont)

ITEM No.	RATING	REMARKS	REPLACEMENT DATA						
			AEROVOX PART No.	CENTRALAB PART No.	CORNELL-DUBILIER PART No.	ELMENCO PART No.	MALLORY PART No.	SPRAGUE PART No.	
C19	13 10%	(.08) †	DI-12	DD-120	L10Q12	CCD-120	CNO-412	10TS-Q12	
C20	.02 25V			DA-203	H-05S2		TA-120	TG-S20	
C21	.01			DM-103	H-05S1		TA-110	TG-S10	
C22	.01			DM-103	H-05S1		TA-110	TG-S10	
C23	.005			D6-502	BYA10D5		CCD-502	TA-250	TG-D50
C24	.04			DA-503	H-05S5		TA-150	TG-S50	
C25	.04			DA-503	H-05S5		TA-150	TG-S50	
C26	.02			DA-203	H-05S2		TA-120	TG-S20	

Channel Master Part Number.

† Alternate Part Number.

CONTROLS

All wattages 1/2 watt, or less, unless otherwise listed.

ITEM No.	USE	RESISTANCE	REPLACEMENT DATA				
			Channel Master PART No.	CENTRALAB PART No.	CLAROSTAT PART No.	CTS-IRC PART No.	MALLORY PART No.
X1	Volume & Switch	5000Ω	E015 *				

RESISTORS

All wattages 1/2 watt, or less, unless otherwise listed.

ITEM No.	RATING	REPLACEMENT DATA			ITEM No.	RATING	REPLACEMENT DATA		
		IRC PART No.	WORKMAN TV PART No.	REMARKS			IRC PART No.	WORKMAN TV PART No.	REMARKS
R2	30K				R17	10K			
R3	4500Ω				R18	60Ω			
R4	1500Ω				R19	250Ω			
R5	5800Ω				R20	1000Ω			
R6	200Ω				R21	1500Ω			
R7	70K				R22	22K			
R8	10K				R23	5600Ω			
R9	22K				R24	1000Ω			
R10	400Ω				R25	5Ω			
R11	1000Ω				R26	100Ω			
R12	200Ω				R27	2300Ω			
R13	330Ω				R28	Thermistor			Pt. # F150
R14	400Ω				R29	5Ω			
R15	22K				R30	400Ω			
R16	40K				R31	100Ω			

COILS (RF-IF)

ITEM No.	USE	REPLACEMENT DATA					NOTES
		Channel Master PART No.	Merit PART No.	Miller PART No.	Stancor PART No.	Workman TV PART No.	
L1	Loopstick	E026					
L2	BC Osc.	F202					
L3	SW Osc.	F200					
L4	1st IF Primary	C046					
L5	1st IF Secondary	C047					
L6	2nd IF	C048					
L7	3rd IF	C049					

TRANSFORMER (DRIVER)

ITEM No.	TURNS RATIO		REPLACEMENT DATA					NOTES
	PRI.	SEC.	Channel Master PART No.	Merit PART No.	Stancor PART No.	Thordarson PART No.	Triad PART No.	
T1	4	1	C017			TR-13 ①		① Use Original Frame

DESCRIPTIONS (Continued)

TRANSFORMER (AUDIO OUTPUT)

ITEM No.	IMPEDANCE		REPLACEMENT DATA					NOTES
			Channel Master PART No.	Merit PART No.	Stancor PART No.	Thordarson PART No.	Triad PART No.	
	PRI.	SEC.						
T2	250Ω CT	6-8Ω	C018					

SPEAKER

ITEM No.	TYPE			REPLACEMENT DATA		NOTES
				Channel Master PART No.	QUAM PART No.	
	SIZE	FIELD	V. C. IMP.			
SP1	2½"	PM	6-8Ω	G092	26A07	

BATTERIES

ITEM No.	VOLTAGE	Channel Master PART No.	REPLACEMENT DATA						NOTES
			BURGESS		EVEREADY		MALLORY		
			"A"	"B"	"A"	"B"	"A"	"B"	
M1	1½			930		1015		M-15R	4 Required

SIGNAL DIODES

ITEM No.	ORIG. TYPE	REPLACEMENT DATA			NOTES
		Channel Master PART No.	GENERAL ELECTRIC PART No.	RAYTHEON PART No.	
M2	1N60	F136		1N60	Limiter Detector
M3	1N60	F136		1N60	

MISCELLANEOUS

ITEM No.	PART NAME	Channel Master PART No.	NOTES
M4	Tuning Cap.	A025	2 Gang Band Selector
M5	Switch	E017	

CABINETS & CABINET PARTS

(When Ordering Cabinets & Cabinet Parts, Specify Model, Chassis & Color)

NAME	PART NO.	DESCRIPTION
Dial	F159	Tuning Volume Function Black Red Leather Carrying, With Strap
Knob	F015	
Knob	F019	
Knob	F014	
Cabinet	G009	
Cabinet	G010	
Case	F065	

WIRING DATA

General-use Unshielded Hook-up Wire Use BELDEN No. 8530 (Solid) Available in Ten Colors
8524 (Stranded) Available in Ten Colors