

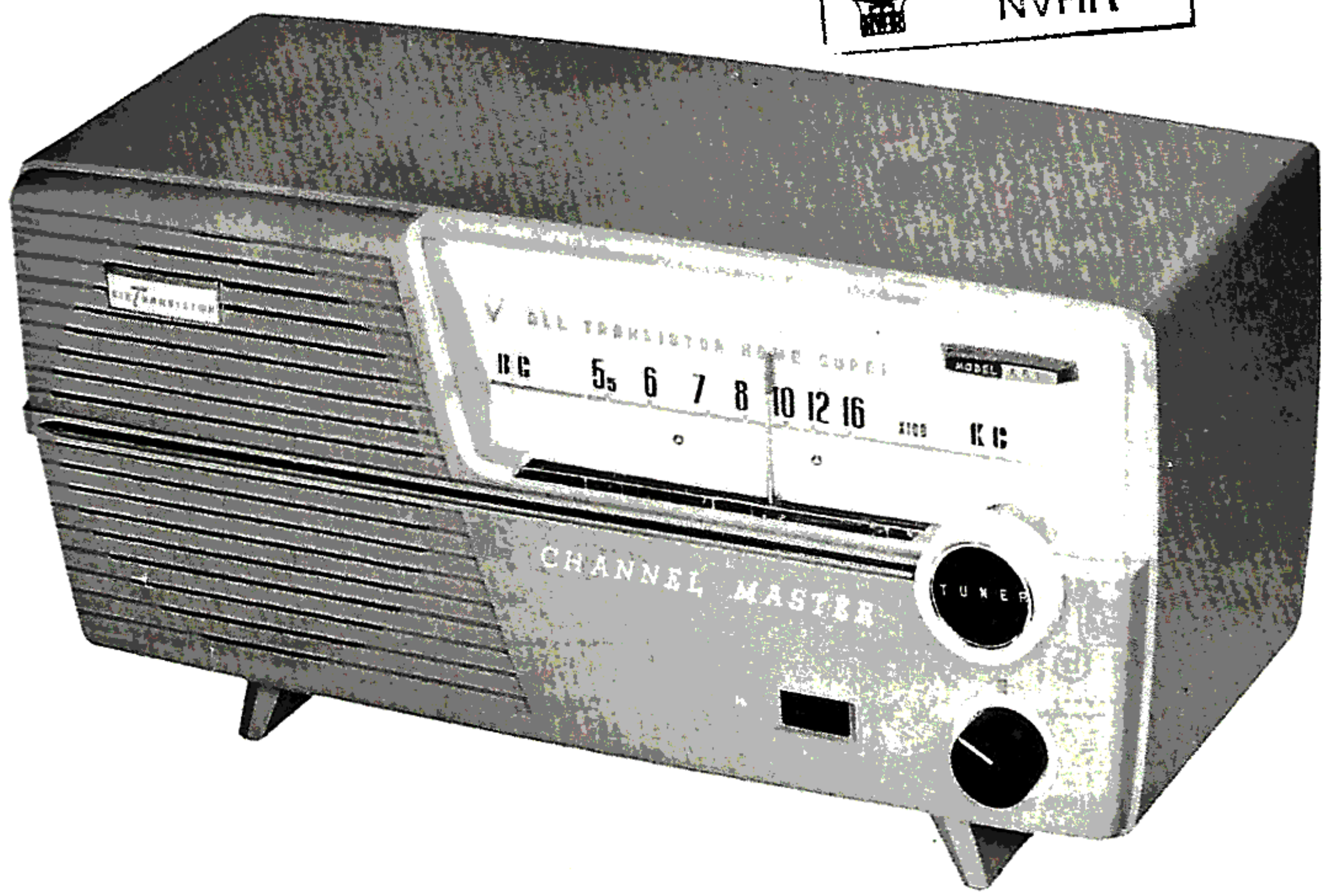
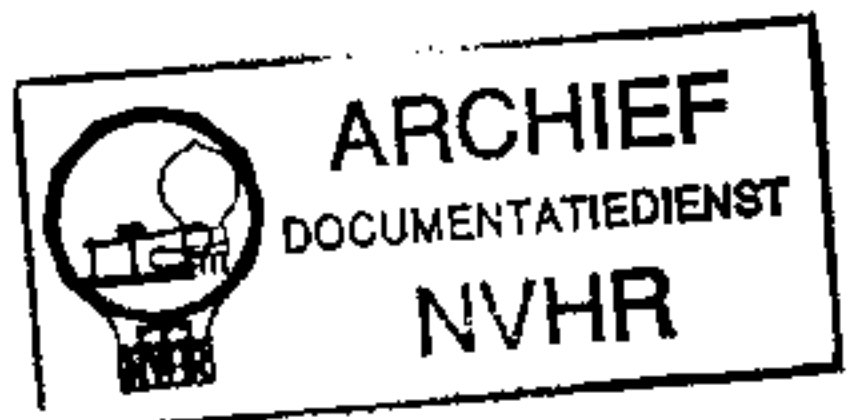
**PHOTOFACT® Folder**

with **CIRCUITRACE**

**CHANNEL MASTER  
MODEL 6511 (Revised)**

Ned. Ver. v. Historie v/d Radio-

Met dank aan Jef Bos



<b>TRADE NAME</b>	Channel Master Model 6511 (Revised)		
<b>SUPPLIER</b>	Channel Master Corp., Ellenville, N. Y.		
<b>TYPE SET</b>	Battery Operated Transistorized AM Receiver		
<b>POWER SUPPLY</b>	8 Volts DC	<b>RATING</b>	10MA@6 Volts DC (No Signal, Min. Volume) 15MA@6 Volts DC (Signal, Normal Volume)
<b>TUNING RANGE—BROADCAST</b>	540 - 1600KC		

## ALIGNMENT INSTRUCTIONS

ALIGNMENT INSTRUCTIONS—READ CAREFULLY BEFORE ATTEMPTING ALIGNMENT

Volume control should be at maximum position. Output of signal generator should be no higher than necessary to obtain an output reading.

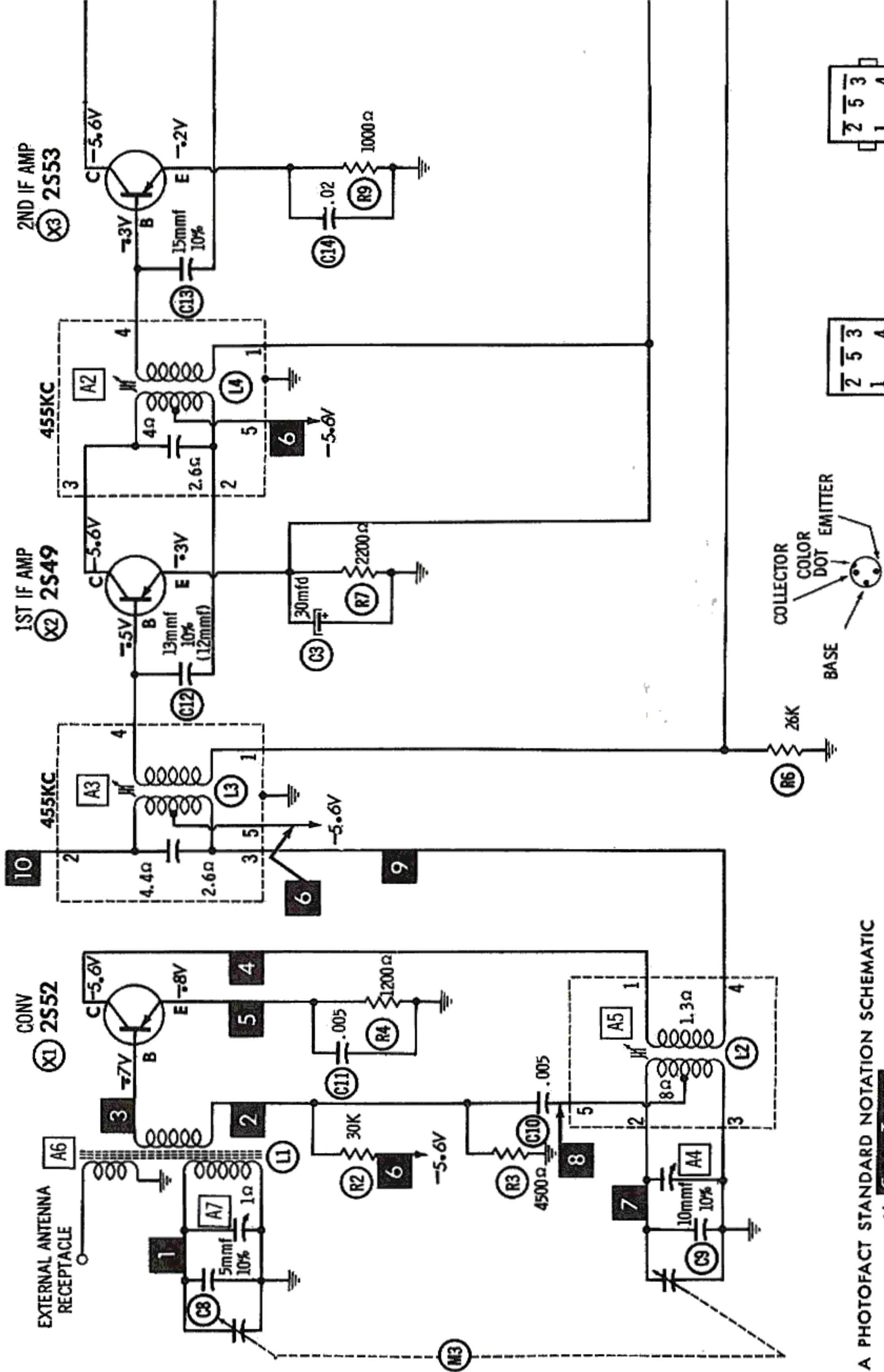
Suggested Alignment Tools: A4, A7. . GENERAL CEMENT #5004, 5009, 8195, 8274, 8275, 8607, 8728, 8987, 8988, 8989, 9291  
WALSCO #2515, 2520, 2522, 2523, 2531, 2532, 2534, 2537, 2538

	SIGNAL GENERATOR COUPLING	SIGNAL GENERATOR FREQUENCY	RADIO DIAL SETTING	OUTPUT METER	ADJUST	REMARKS
1.	High side thru .01mfd to antenna stator lug of tuning gang. Low side to chassis.	455KC (400v Mod.)	Tuning gang fully open.	Across voice coll.	A1, A2, A3	Adjust for maximum output.
2.	Loop	1650KC	"	"	A4	Fashion loop of several turns of wire and radiate signal into loop of receiver. Adjust for maximum output.
3.	"	530KC	Tuning gang fully closed.	"	A5	"
4.	"	600KC	600KC Signal.	"	A6	"
5.	"	1400KC	1400KC Signal.	"	A7	Adjust for maximum output. Repeat Steps 2 thru 5.

**HOWARD W. SAMS & CO., INC. Indianapolis 6, Indiana**

The listing of any available replacement part herein does not constitute in any case a recommendation, warranty or guaranty by Howard W. Sams & Co., Inc., as to the quality and suitability of such replacement part. The numbers of these parts have been compiled from information furnished to Howard W. Sams & Co., Inc., by the manufacturers of KG260

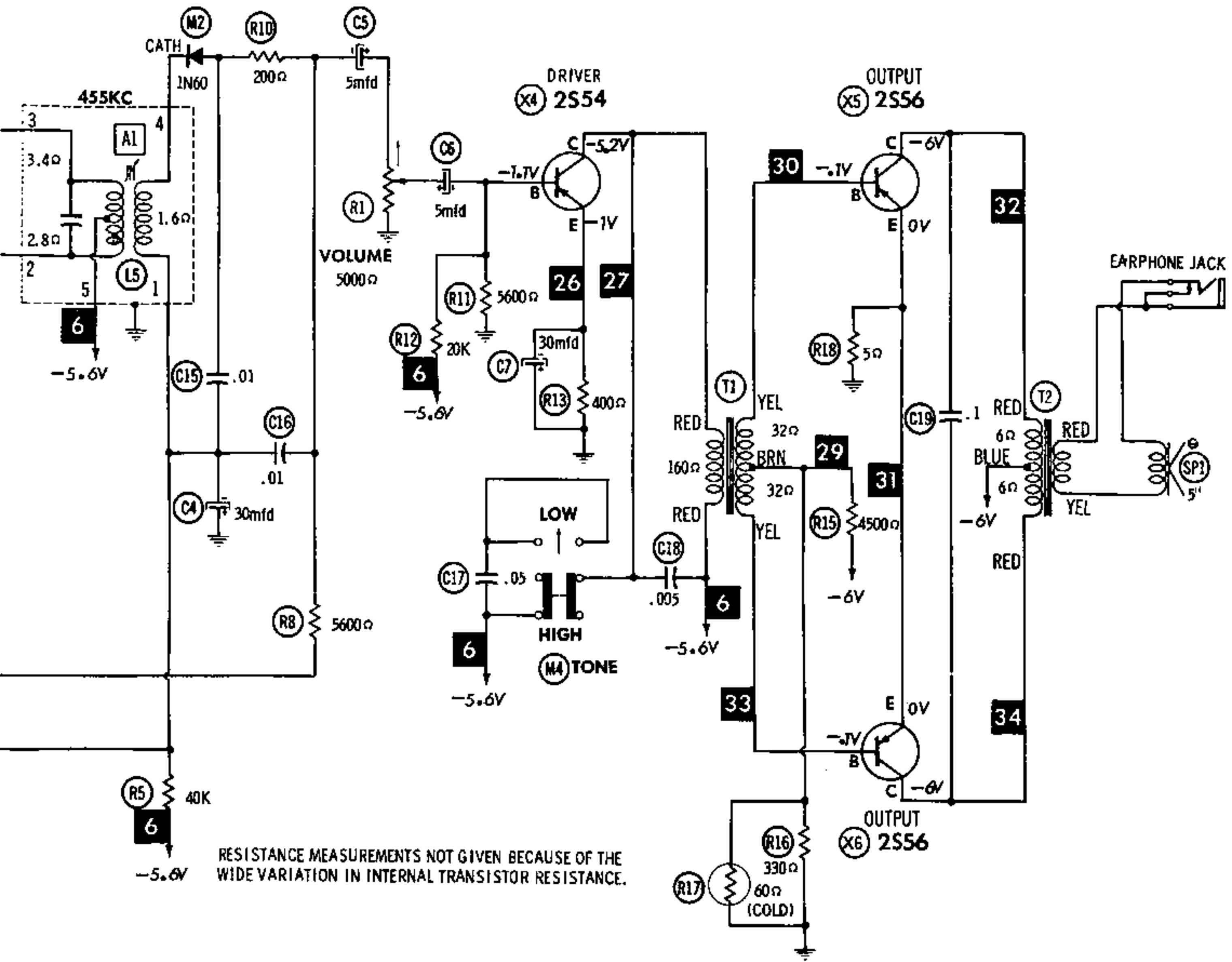
the particular type of replacement part listed. Reproduction or use, without express permission, of editorial or pictorial content, in any manner, is prohibited. No patent liability is assumed with respect to the use of the information contained herein. © 1961 Howard W. Sams & Co., Inc., Indianapolis 6, Indiana. Printed in U.S. of America



A PHOTOFAC STANDARD NOTATION SCHEMATIC

with CIRCUITRACE

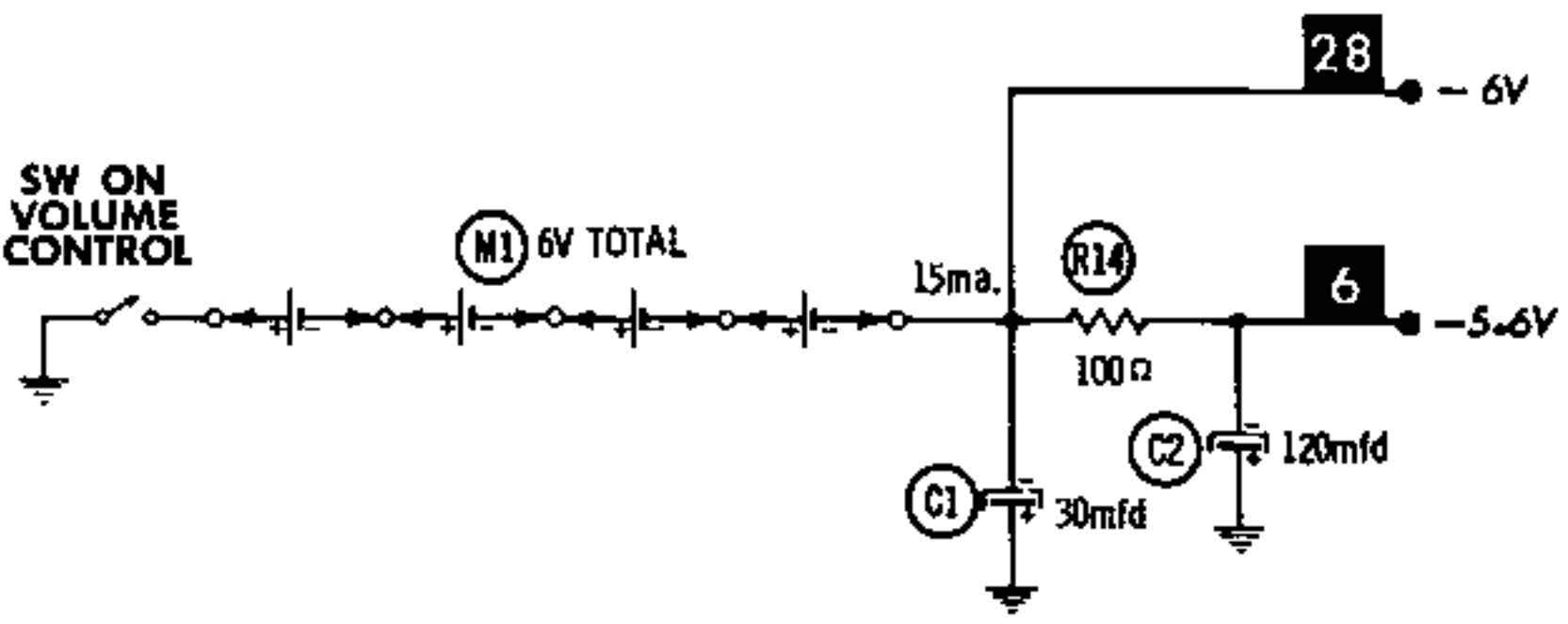
© Howard W. Sams & Co., Inc. 1961



RESISTANCE MEASUREMENTS NOT GIVEN BECAUSE OF THE WIDE VARIATION IN INTERNAL TRANSISTOR RESISTANCE.

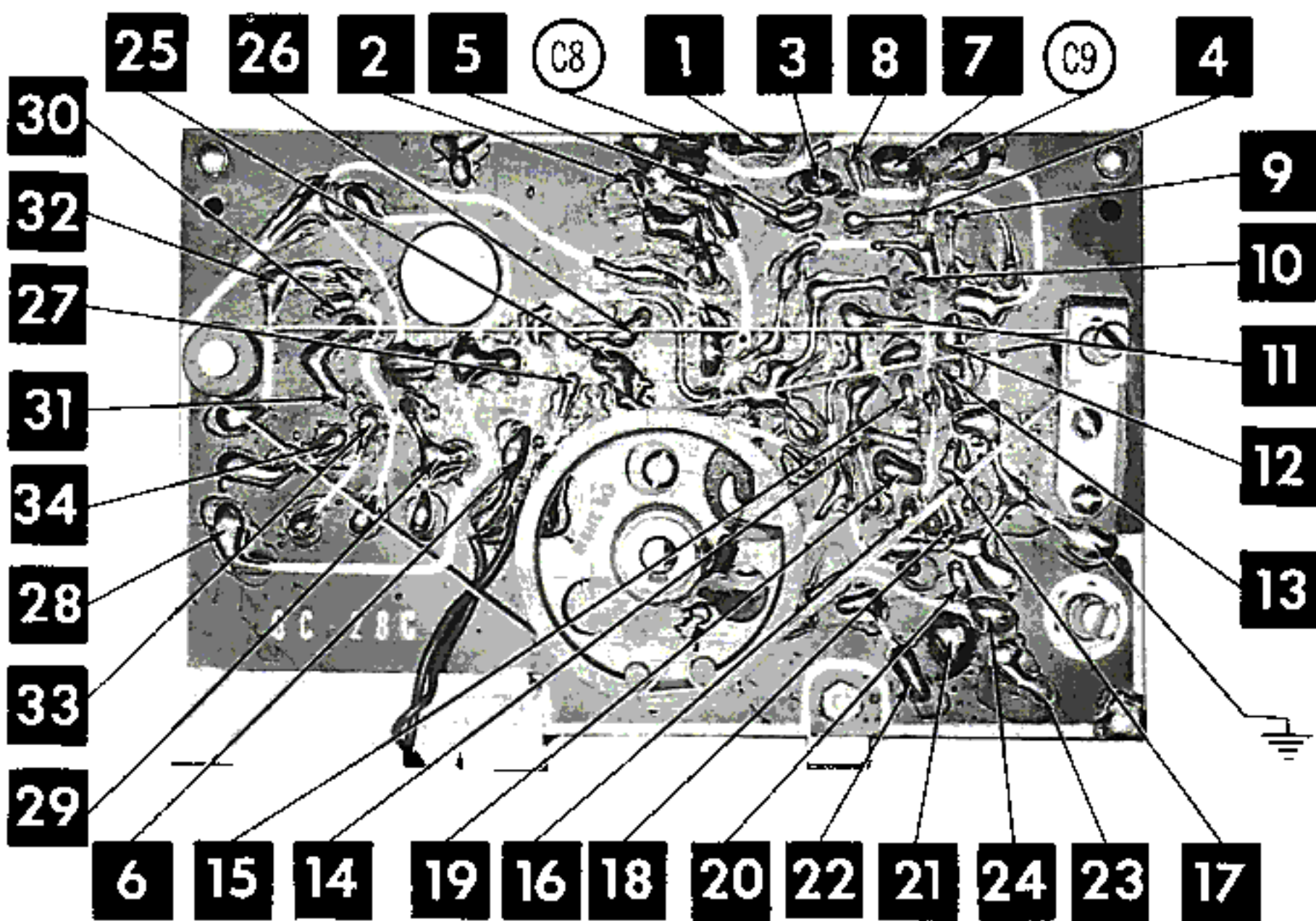
DC COIL RESISTANCE VALUES UNDER ONE OHM NOT SHOWN ON SCHEMATIC DIAGRAM

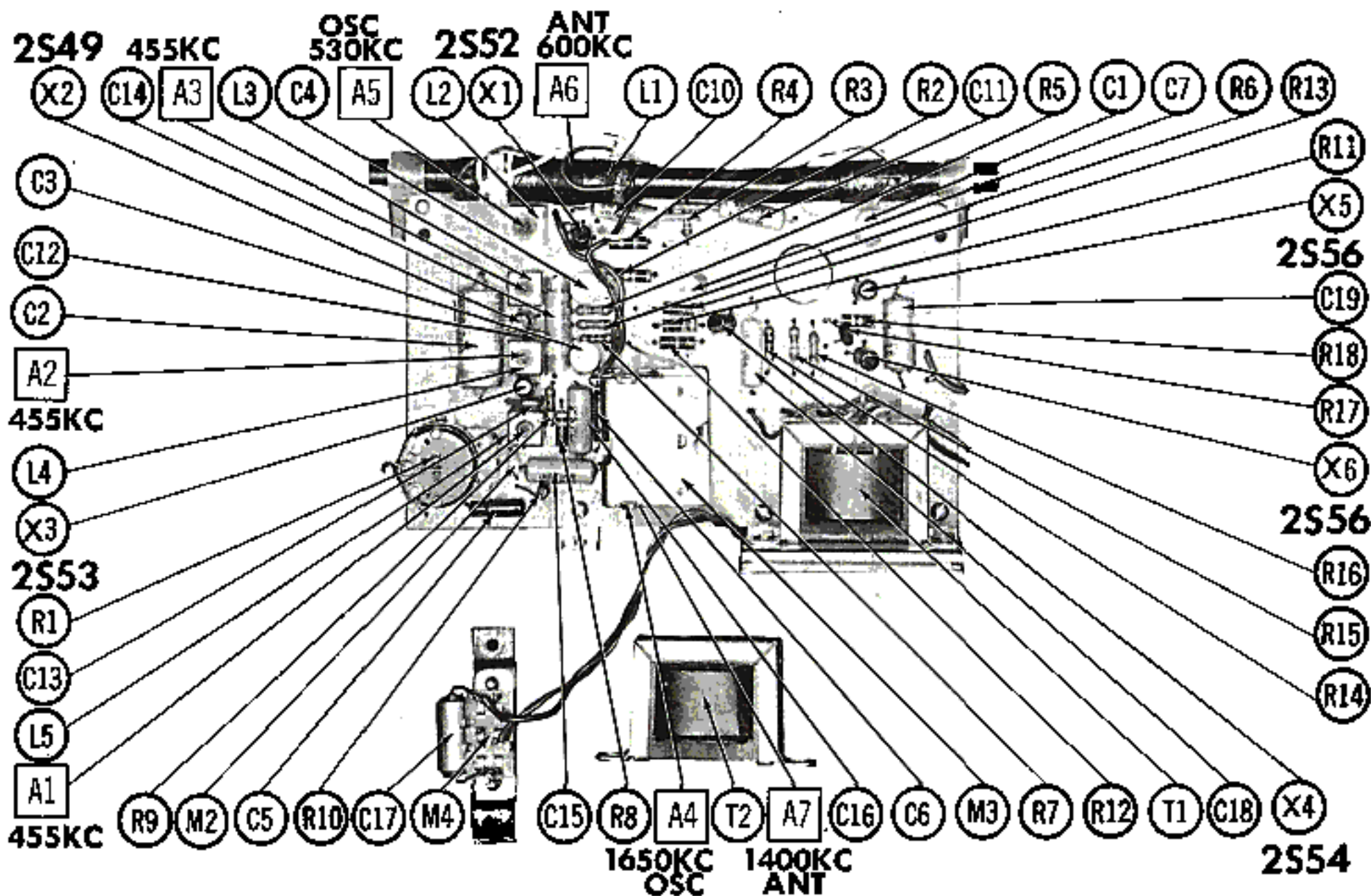
ARROWS ON CONTROLS INDICATE CLOCKWISE ROTATION (CONTROL VIEWED FROM SHAFT END)



NUMBERS ASSIGNED TO COILS, SWITCHES, PLUGS, SOCKETS, AND TRANSFORMERS ARE TO FACILITATE CIRCUIT TRACING OR COMPONENT REPLACEMENT AND MAY NOT NECESSARILY BE FOUND ON THE UNIT.

1. DC voltage measurements taken with vacuum tube voltmeter.
2. Socket connections or transistor terminals are shown as bottom views.
3. Measured values are from socket pin or terminal to common ground.
4. Nominal tolerance on component values makes possible a variation of  $\pm 15\%$  in voltage and resistance readings.
5. Volume control at maximum, no signal applied for voltage measurements.





CHASSIS-TOP VIEW

# PARTS LIST AND DESCRIPTIONS

## TRANSISTORS

ITEM No.	ORIG. TYPE	USE	REPLACEMENT DATA			NOTES
			RCA PART No.	RAYTHEON PART No.	SYLVANIA PART No.	
X1	2S52	Converter	2N412	2N486	2N411	PNP
X2	2S49	1st IF Amplifier	2N410			PNP
X3	2S53	2nd IF Amplifier	2N410	2S483	2N410	PNP
X4	2S54	Driver	2N408	2N362	2N408	PNP
X5	2S56	Output	2N408	2N632	2N408	PNP
X6	2S56	Output	2N408	2N632	2N408	PNP } Matched Pair

## ELECTROLYTIC CAPACITORS

ITEM No.	RATING		Channel Master PART No.	REPLACEMENT DATA					NOTES
	CAP.	VOLT.		AEROVOX PART No.	CORNELL-DUBILIER PART No.	MALLORY PART No.	PYRAMID PART No.	SPRAGUE PART No.	
C1	30	6	A009	BCD6035	ECPB112	TT6X30	ML30-6	VL-1092	
C2	120	10	A023	SRE12V100	NLW125-10	TT15X100	TD-100-6	TE-1136	
C3	30	6	A009	BCD6035	ECPB112	TT6X30	ML30-6	VL-1092	
C4	30	6	A009	BCD6035	ECPB112	TT6X30	ML30-6	VL-1092	
C5	5	6	A010	XPP-6005	NLW5-15	TT6X5	ML5-6	TE-1084	
C6	5	6	A010	XPP-6005	NLW5-15	TT6X5	ML5-6	TE-1084	
C7	30	6	A009	BCD6035	ECPB112	TT6X30	ML30-6	VL-1092	

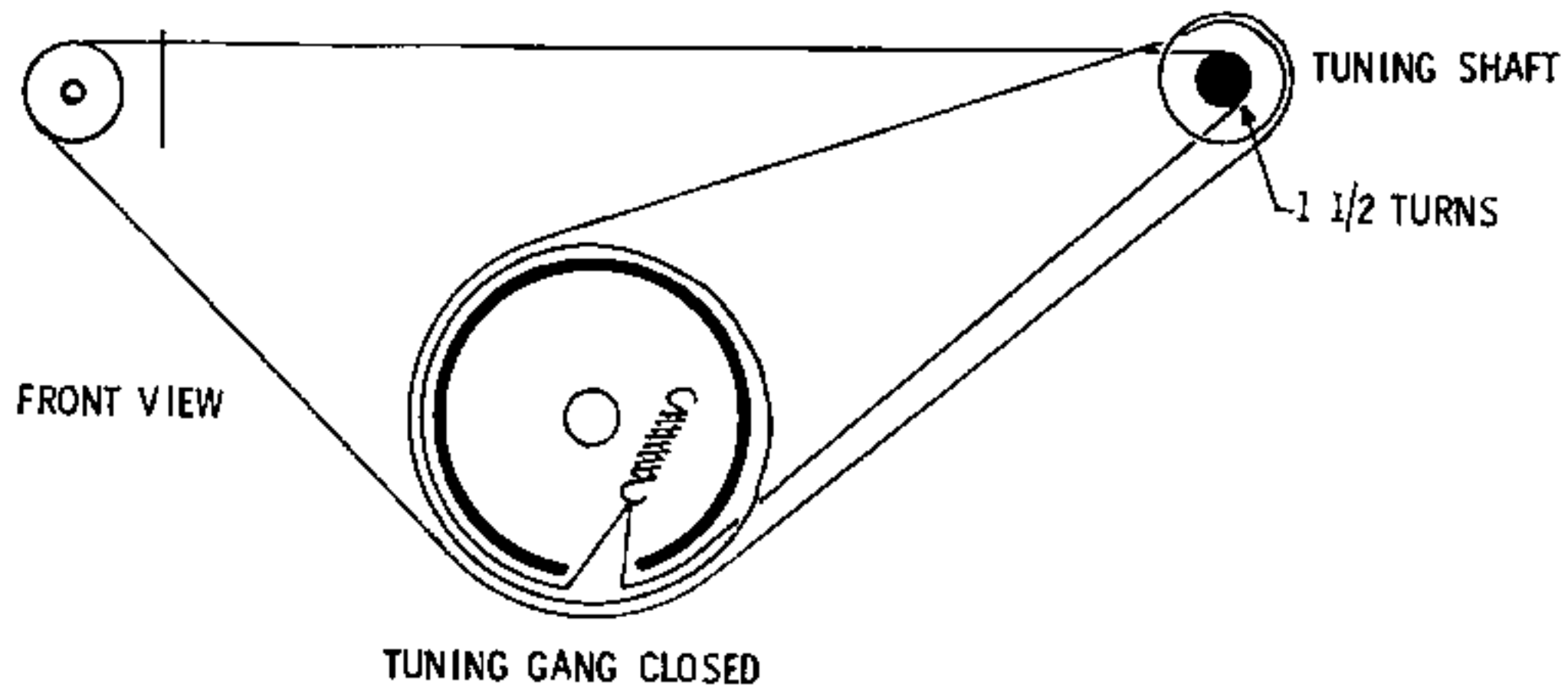
## FIXED CAPACITORS

Capacity values given in the rating column are in mfd. for Paper Capacitors, and in mmfd. for Mica and Ceramic Capacitors.

ITEM No.	RATING	REMARKS	REPLACEMENT DATA					
			AEROVOX PART No.	CENTRALAB PART No.	CORNELL-DUBILIER PART No.	ELMENCO PART No.	MALLORY PART No.	SPRAGUE PART No.
C8	5 10%	(12) †	DI-5	DD-050	L10V5	CCD-050	GP550	10TS-V50
C9	10 10%		DI-10	D6-100	L10Q1	CCD-100	GP410	10TS-Q10
C10	.005 150V		V84C2D47	D6-502	DPMS8D5	6DP-1-502	GEM-625	2EP-D50
C11	.005 150V		V84C2D47	D6-502	DPMS8D5	6DP-1-502	GEM-625	2EP-D50
C12	13 10%		DI-12	DD-120	L10Q12	CCD-120	GP412	10TS-Q12
C13	15 10%		DI-15	DD-150	L10Q15	CCD-150	GP415	10TS-Q15
C14	.02 150V		V84C2S22	DD-203	DPMS2S2	6DP-2-203	GEM-412	2EP-S20
C15	.01 150V		V84C2S1	D6-103	DPMS4S1	6DP-2-103	GEM-411	2EP-S10
C16	.01 150V		V84C2S1	D6-103	DPMS4S1	6DP-2-103	GEM-411	2EP-S10
C17	.05 150V		V84C2S5	DD-503	DPMS2S5	6DP-3-503	GEM-415	2EP-S50
C18	.005 150V		V84C2D47	D6-502	DPMS8D5	6DP-1-502	GEM-625	2EP-D50
C19	.1 150V		V84C2P1	DF-104	DPMS2P1	2DP-3-104	GEM-201	2EP-P1

† Alternate Value.

# TUNING DRIVE CORD STRINGING



# PARTS LIST AND DESC

## CONTROLS

ITEM No.	RATING		REPLACEMENT DATA				INSTALLATION NOTES	
	RESISTANCE	WATTS	Channel Master PART No.	CENTRALAB PART No.	CLAROSTAT PART No.	CTS-IRC PART No.		MALLORY PART No.
R1	5000Ω	½	E010					Volume & Switch

## RESISTORS (IRC or EQUIVALENT)

All wattages 1/2 watt, or less, unless otherwise listed.

ITEM No.	RATING	REMARKS	ITEM No.	RATING	REMARKS	ITEM No.	RATING	REMARKS
R2	30K		R8	5600Ω		R14	100Ω	
R3	4500Ω		R9	1000Ω		R15	4500Ω	
R4	1200Ω		R10	200Ω		R16	330Ω	
R5	40K		R11	5600Ω		R17	60Ω Cold	Pl. #F150
R6	26K		R12	20K		R18	5Ω	
R7	2200Ω		R13	400Ω				

## COILS (RF-IF)

ITEM No.	USE	REPLACEMENT DATA				NOTES
		Channel Master PART No.	Merit PART No.	Miller PART No.	Stancor PART No.	
L1	Loopstick	E011				
L2	Osc. Coil	F158				
L3	1st IF Trans.	C010				
L4	2nd IF Trans.	C011				
L5	3rd IF Trans.	C007				

## TRANSFORMER (DRIVER)

ITEM No.	TURNS RATIO		REPLACEMENT DATA					NOTES
	PRI.	SEC.	Channel Master PART No.	Merit PART No.	Stancor PART No.	Thordarson PART No.	Triad PART No.	
T1	1.3	1	C012					

## TRANSFORMER (AUDIO OUTPUT)

ITEM No.	IMPEDANCE		REPLACEMENT DATA					NOTES
	PRI.	SEC.	Channel Master PART No.	Merit PART No.	Stancor PART No.	Thordarson PART No.	Triad PART No.	
T2	240Ω CT	3-4Ω	C013					

## SPEAKER

ITEM No.	TYPE			REPLACEMENT DATA		NOTES
	SIZE	FIELD	V. C. IMP.	Channel Master PART No.	QUAM PART No.	
SP1	5"	PM	3-4Ω	S-12GA *	5A15	* Alternate Part #G093



# DESCRIPTIONS (Continued)

## BATTERIES

ITEM No.	VOLTAGE	Channel Master PART No.	REPLACEMENT DATA						NOTES
			BURGESS		EVEREADY		MALLORY		
			"A"	"B"	"A"	"B"	"A"	"B"	
M1	1.5V			930 *		1015 *		M-15R*	* 4 Required

## SIGNAL DIODES

ITEM No.	ORIG. TYPE	REPLACEMENT DATA				NOTES
		Channel Master PART No.	GENERAL ELECTRIC PART No.	RAYTHEON PART No.	SYLVANIA PART No.	
M2	1N60	F149			1N60	Detector (Pigtail)

## MISCELLANEOUS

ITEM No.	PART NAME	Channel Master PART No.	NOTES
M3 M4	Tuning Cap. Switch	A018 E012	2 Gang Tone (DPDT Slide Type)

## CABINETS & CABINET PARTS

(When Ordering Cabinets & Cabinet Parts, Specify Model, Chassis & Color)

NAME	PART NO.	DESCRIPTION
Knob	F012	Tuning, Dial Assembly
Knob	F013	Volume
Cabinet	G007	Green

## WIRING DATA

General-use Unshielded Hook-up Wire ..... Use BELDEN No. 8530 (Solid) Available in Ten Colors  
8524 (Stranded) Available in Ten Colors