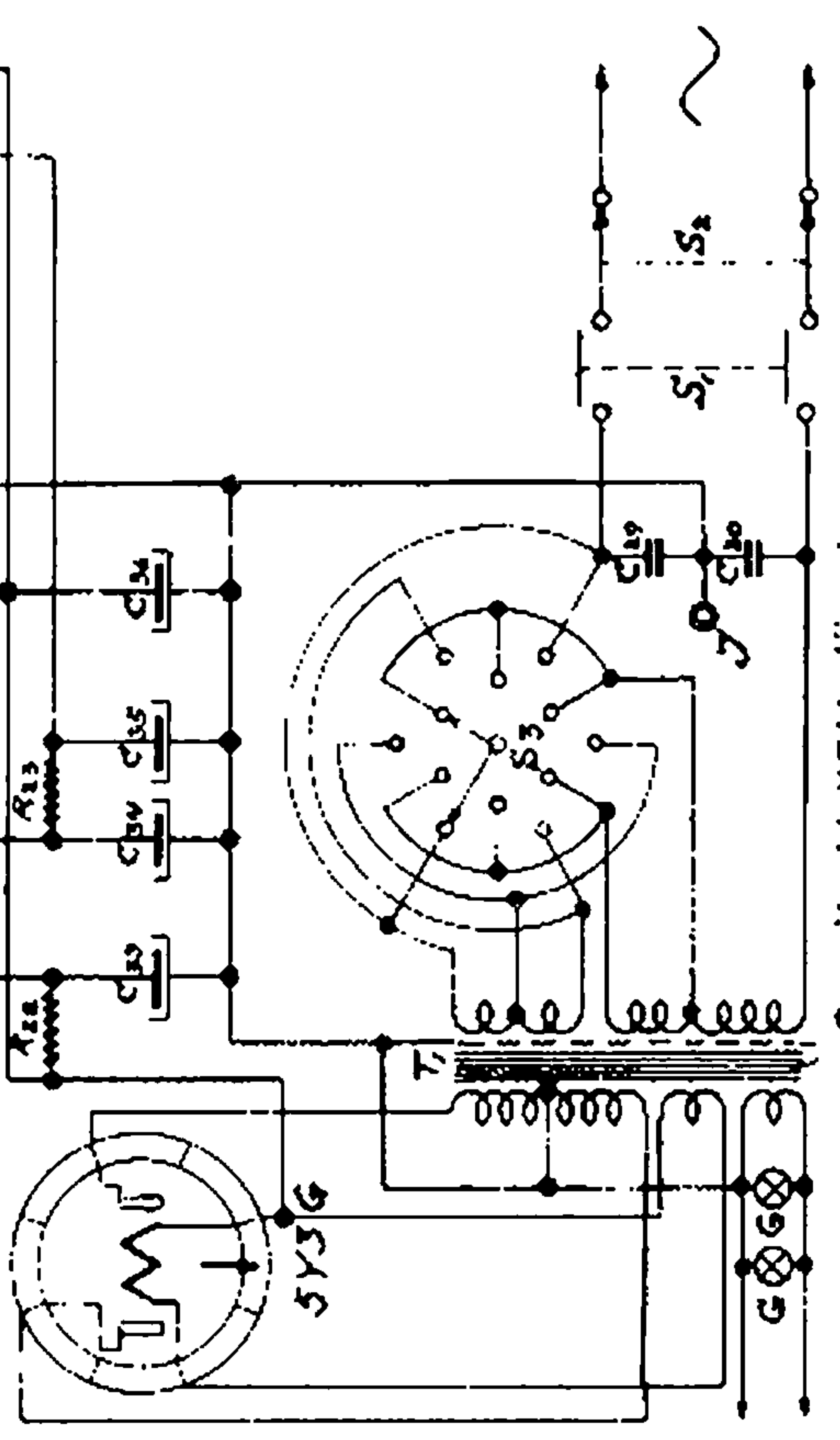
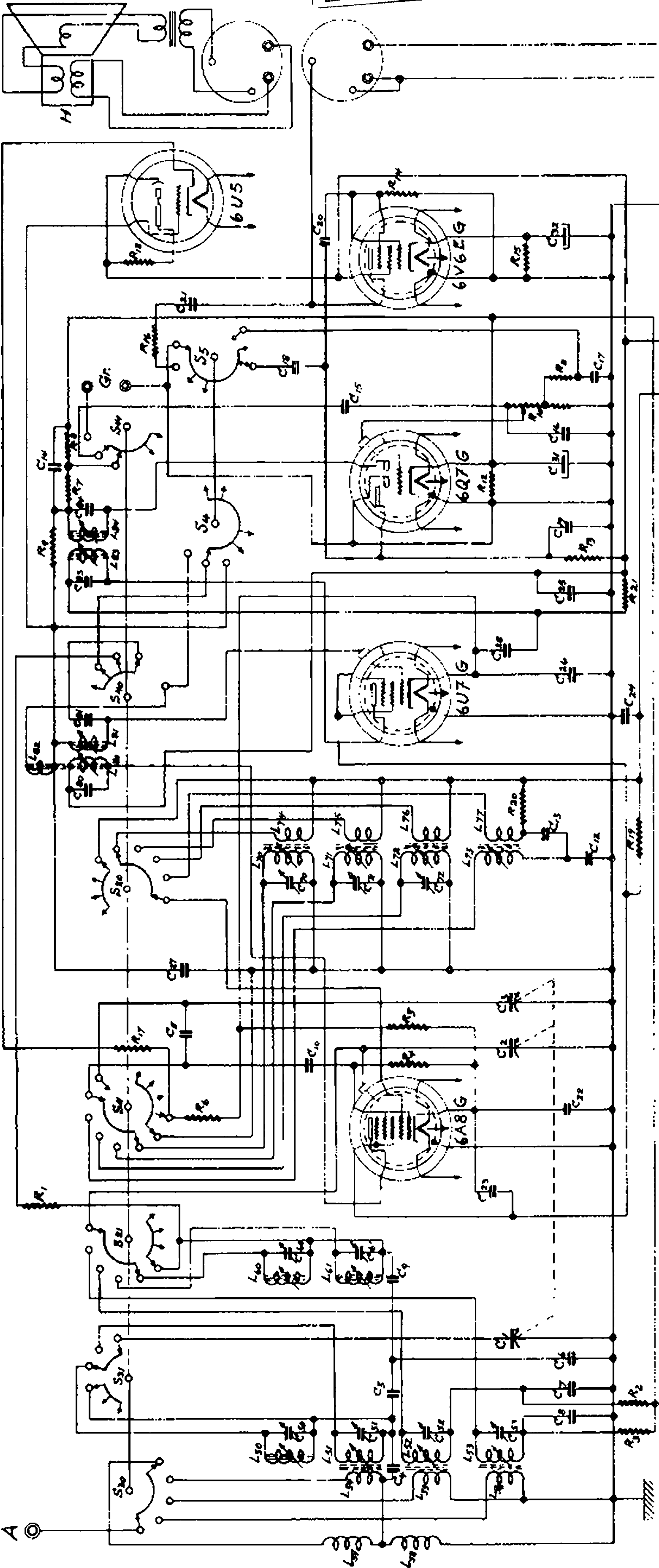
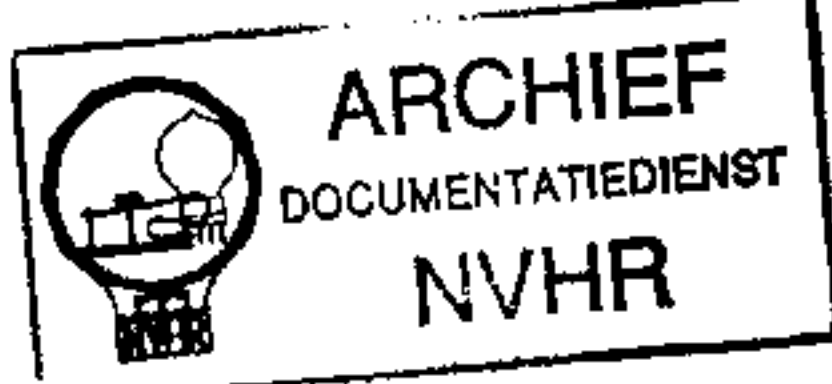


Met dank aan Bjarne Stridsberg



S3 ritad i 115V-läget.

Component	Value	Part No.	Notes
C1	526 pF A	N	
C2	526 pF A	N	
C3	237½ pF A	N	
C4	500 Ohm	N	
C5	2500 pF ± 10%	N	
C6	0.01 µF ± 10%	N	
C7	750 pF ± 5%	N	
C8	240 pF ± 5%	N	
C9	2500 pF ± 10%	N	
C10	20 pF ± 20%	N	
C11	420 pF ± 5%	N	
C12	500 pF ± 5%	N	
C13	150 pF ± 20%	N	
C14	150 pF ± 20%	N	
C15	10000 Ohm	N	
C16	100 Ohm	N	
C17	10000 Ohm	N	
C18	3000 Ohm	N	
C19	200 Ohm	N	
C20	20000 Ohm	N	
C21	20000 Ohm	N	
C22	0.1 µF	N	
C23	0.1 µF	N	
C24	0.1 µF	N	
C25	0.1 µF	N	
C26	0.1 µF	N	
R1	100 kΩ	M25-35	
R2	100 kΩ	M25-35	
R3	100 kΩ	M25-35	
R4	50 kΩ	M25-30	
R5	100 Ω	M25-1	
R6	400 Ω	M25-6	
R7	50 kΩ	M25-30	
R8	200 kΩ	M25-37	
R9	2 MΩ	M25-40	
R10	2 MΩ	M25-40	
R11	30 kΩ	M25-28	
R12	5 kΩ	M25-19	
R13	250 kΩ	M25-38	
R14	500 kΩ	M25-41	
R15	240 Ω	M25-54	
R16	10 kΩ	M25-24	
R17	3 kΩ	M25-16	
R18	1 MΩ	M25-46	
R19	30 kΩ	M25-28	
R20	2 kΩ	M25-14	
R21	300 Ω	M25-5	
R22	25 kΩ	M25-27	
R23	15 kΩ	M25-13	
T1	50 p/s	T22-34	
T2	25 p/s	T22-34	
S1	5712-66	SJ12-66	5712-66
S2	5712-69	SJ12-69	5712-69
S3	FM5-2	FM5-2	FM5-2
S4	5712-67	SJ12-67	5712-67
S5	5712-68	SJ12-68	5712-68
S6	5712-70	SJ12-70	5712-70
S7	5712-122	TJ2-122	5712-122
L1	450 µH	L51	450 µH
L2	450 µH	L51	450 µH
L3	5000 Ohm	L52	5000 Ohm
L4	5000 Ohm	L52	5000 Ohm
L5	25 µF	L53	25 µF
L6	25 µF	L53	25 µF
L7	8 µF	L54	8 µF
L8	8 µF	L54	8 µF
L9	8 µF	L54	8 µF
L10	16 µF	L55	16 µF
L11	5-40 pF	L56	5-40 pF
L12	5-40 pF	L56	5-40 pF
L13	5-40 pF	L56	5-40 pF
L14	60-95 pF	L57	60-95 pF
L15	10-45 pF	L58	10-45 pF
L16	5-40 pF	L59	5-40 pF
L17	200 pF ± 5%	L60	200 pF ± 5%
L18	100 pF ± 5%	L61	100 pF ± 5%
L19	200 pF ± 5%	L62	200 pF ± 5%

JW6 typ 45
 P. A. v. *Eda* 1938
 A B Centrum Radio
 A B Gylling & Co. Stockholm
 A3-1548