

Trimmingsanv.
 Detaljlista

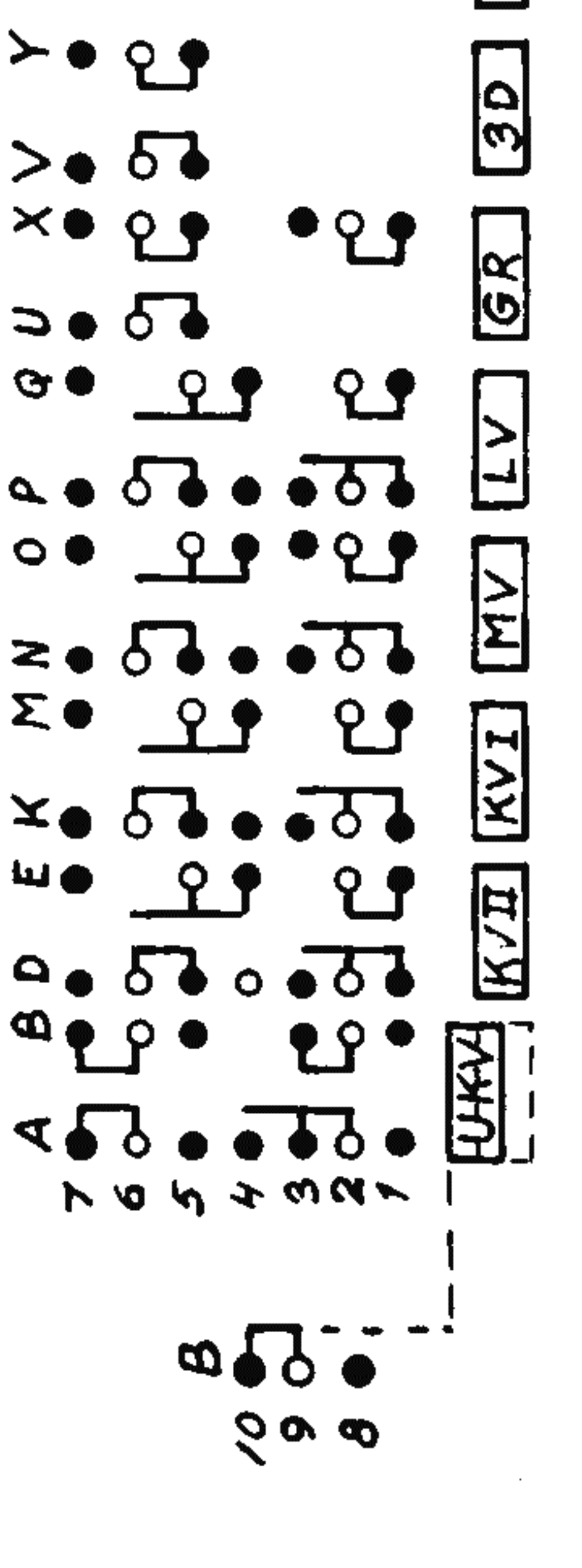
Alignment instruction A4-12330
 Part-list A9-12999

22539-6 TYP 253

Ritav 8A 22.6.56 Montr.

Centrum Radio
 A B Gylling & Co., Stockholm

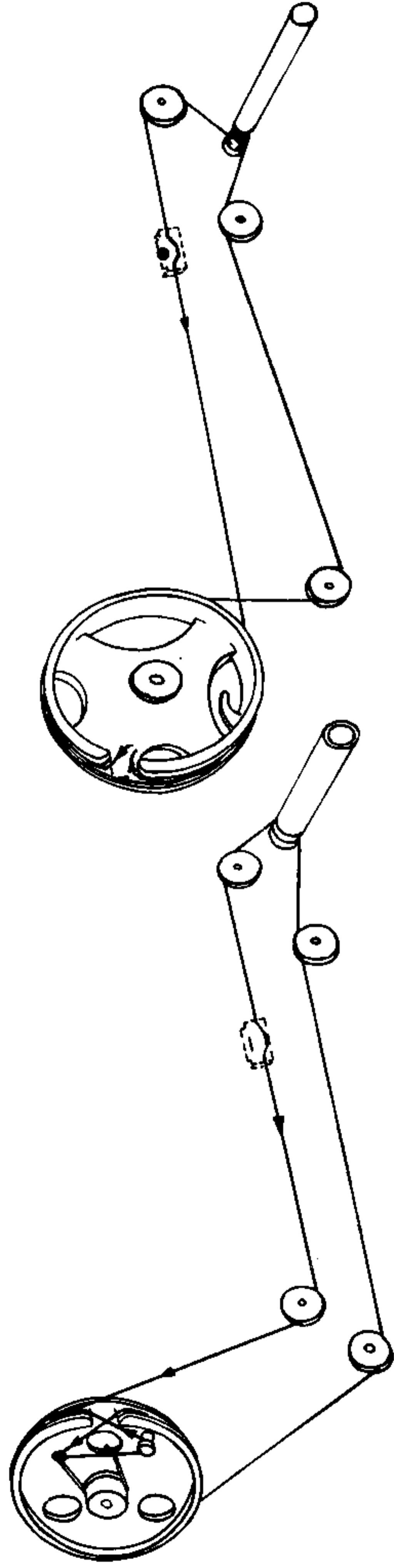
A3-12398



(FJÄRR-) KLANKONTROLL

Z = 240-300 Ω

E2-24 (41-096600-995)



C1	57 PF	C44	300 PF	1200r/l	C87	560 PF	K10-56103	R38	1	MSE	De/gv	L30, L39	T21-2			
C2	37 PF	C45	300 PF	T21-2	C88	1800 PF	K10-18205	R39	1,3	MSE	P4-100					
C3	220 PF	C46	500 PF	K10-5011	C89	500 PF	K42-10	R40	47	KSE	M92-4731	T1	ABT-transf.			
C4	2200 PF	C47	36 PF	K60-3600E				R41	470	KSE	M92-4741		Power transf.			
C5	9,5 PF	C48	150 PF	K60-1511				R42	33	KSE	M92-3321					
C6	10 PF	C49	220 PF	K60-2211				R43	100	KSE	M92-1041	T2	Utg-transf.			
C7	2200 PF				R1	220	KSE	M92-2015					Output-transf.			
C8	7,5 PF	C51	4700 PF	K61-472	R2	1	KSE	E2-24	R45	470	KSE	M92-4741				
C9	7,5 PF	C52	4	MF	K17-121	R3	330	KSE	R46	470	KSE	M92-4741	H1	Hörlolare		
C10	11 PF	C53	5000 PF	K61-502	R4	6,8	KSE	M81-6821	R47	1,5	KSE	M81-1521	H2, H3	Hörlolare		
C11	3,5 PF	C54	100 PF	K60-1011	R5	1,5	KSE	M82-1531	R48	39	S	M84-3901	H4	Speaker		
C12	1,5 PF	C55	150 PF	K60-1511	R6	1	MSE	M92-1051	R49	47	KSE	M92-4731				
C13	7,1 PF	C56	0,01 MF	K37-42	R7	33	KSE	M81-3331	R50	10	KSE	M92-1021				
C14	48 PF	C57	8	MF	K17-98	R8	47	KSE	M92-4751	R51	100	KSE	M92-1041	GL	Stallampa	
C15	27 PF	C58	0,02 MF	K61-203	R9	22	S	M92-2201	R52	470	KSE	M92-4741	G3	Stallampa		
C16	56 PF	C59	50 MF	K17-122	R10	100	KSE	M92-1041	R53	3,3	KSE	M92-3321		Dial lamp 6,3V 0,5A		
C17	47 PF	C60	50 MF	K17-122	R11	470	KSE	M92-4741	R54	2,2	KSE	M94-2221	G4	Gram. belugn.		
C18	5-30 PF	C61	5000 PF	K51-472	R12	39	KSE	M97-3931	R55	2,2	KSE	M84-2231		Lampförsörjning 220V 15W		
C19	5-30 PF	C62	0,1 MF	K81-104	R13	2,2	KSE	M84-2221	R56	1	MSE	M92-1051	S2	Strömbrytare		
C20	5-30 PF	C63	2200 PF	K61-222	R14	100	KSE	M92-1041						On-off-switch		
C21	5-30 PF	C64	100 PF	K60-1011	R15	2,2	KSE	M84-2221								
C22	AC400 PF	C65	220 PF	K60-2211	R16	100	KSE	M92-1041	L1, L2	41-0401,5-15,7			D1, D2	Drossel		
C23	AC400 PF	C66	1000 PF	K57-34	R17	100	KSE	M92-1041	L3	41-0401,50-78,7				Choke		
C24	27 PF	C67	8200 PF	K61-822	R18	160	S	M82-1615	L4	41-0401,50-36,7			F1	Temperaturering		
C25	5-30 PF	C68	0,02 MF	K27-16	R19	530	KSE	M92-3341	L5, L6, L7, L8	41-0401,50-15,7			T	Termofuse		
C26	27 PF	C69	47 PF	K60-4701	R20	1	MSE	M92-1051	L9, L10	41-0416,65-83,7			J	Likriktare		
C27	220 PF	C70	1 MF	K17-117	R21	1	MSE	M92-1051							Rectifier	
C28	5-30 PF	C71	0,04 MF	K37-36	R22	2,2	MSE	M92-2251	L11	S2-526					Skallina	
C29	5-30 PF	C72	2200 PF	K61-222	R23	39	KSE	M92-3931	L12, L13	(59-18) M65	S12-224				Dial drive cord	
C30	5-30 PF	C73	0,1 MF	K51-104	R24	220	KSE	M92-2241	L14, L15	(16-5,5) M65	S12-215				Stationsskala	
C31	100 PF	C74	5000 PF	K60-502	R25	100	KSE	M92-1041	L16, L17	(320-160) M65	S12-323				Dial	
C32	220 PF	C75	0,02 MF	K61-203	R26	220	KSE	M92-2241	L18, L19	(50-4,95) M65	S12-522				FM-enhet	
C33	100 PF	C76	1 MF	K17-117	R27	10	MSE	M92-1061	L20, L21		S12-510				FM unit	
C34	150 PF	C77	25 MF	K17-102	R28	1	MSE	M92-1051	L22, L23		S2-571					
C35	5000 PF	C78	2000 PF	K42-12	R29	100	KSE	M92-1041	L24, L25		S12-512				(Fjärr-)Klangkontroll	
C36	5000 PF	C79	500 PF	K42-10	R30	10	KSE	M92-1034	L26, L27, L28		S12-525				Remote control	
C37	15 PF	C80	4 MF	K37-14	R31	56	KSE	M92-5631	L29, L30		T2-200					
C38	15 PF	C81	8200 PF	K61-822	R32	2,2	KSE	M82-2221								Tryckknappsk. E2-431
C39	100 PF	C82	0,02 MF	K61-203	R33	56	KSE	M92-5631								Push-button-switch
C40	100 PF	C83	8200 PF	K61-822	R34	1,2	KSE	M81-1521								Avstämnr. enhet E2-420
C41	100 PF	C84	1000 PF	K61-102	R35	330	S	M92-3311								Coil unit
C42	0,01 MF	C85	8200 PF	K61-822	R36	1	KSE	M92-1021								
C43	5000 PF	C86	0,02 MF	K28-16	R37	1	KSE	M87-1021								

Våglängdsområde: Wavelength-bands.
 LV. 150-435 Kc/s (2000-690 m.)
 MV. 520-1600 Kc/s (578-188 m.)
 KV I. 1,6-5,5 Mc/s (189-55 m.)
 KV II. 5,9-18 Mc/s (50-16,6 m.)
 UKV. 87-100 Mc/s (3,45-3 m.)

Alla spänningar mätes från chassiet.
 Angivna likspänningar mäts med 2000 Ω/V instrument.
 Lindningarnas resistans mätts vid 20°C.

All voltages are measured from the chassis.
 Use an instrument of the 2000 Ω/volt type.
 The resistance of the coils measured at 20°C.

22539-6 TYP 253

Rit av 89 22.6.56 Kont.

Centrum Radio
 A B Gylling & Co., Stockholm

A 3-12399