

Wilhelmoban

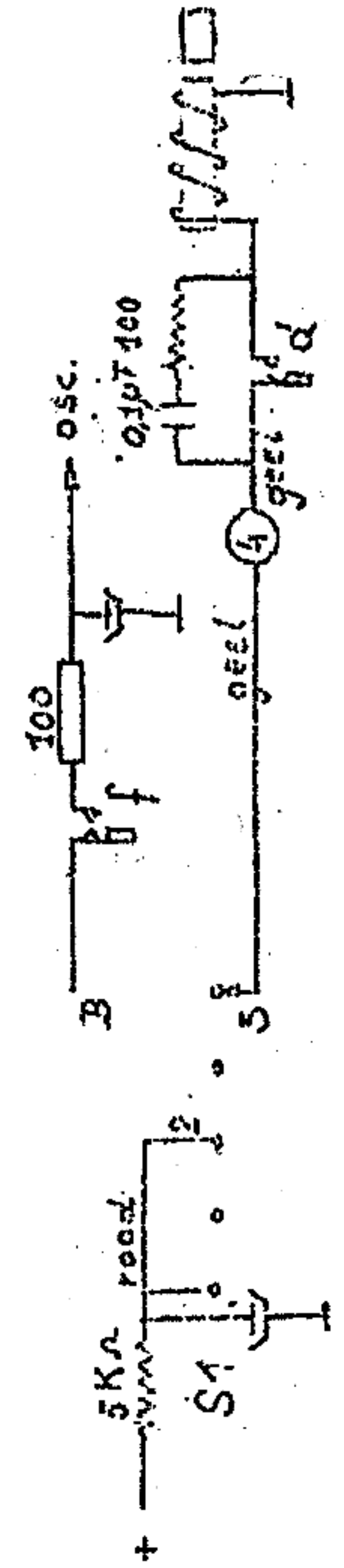
No. 20.65-4-170II

Capton

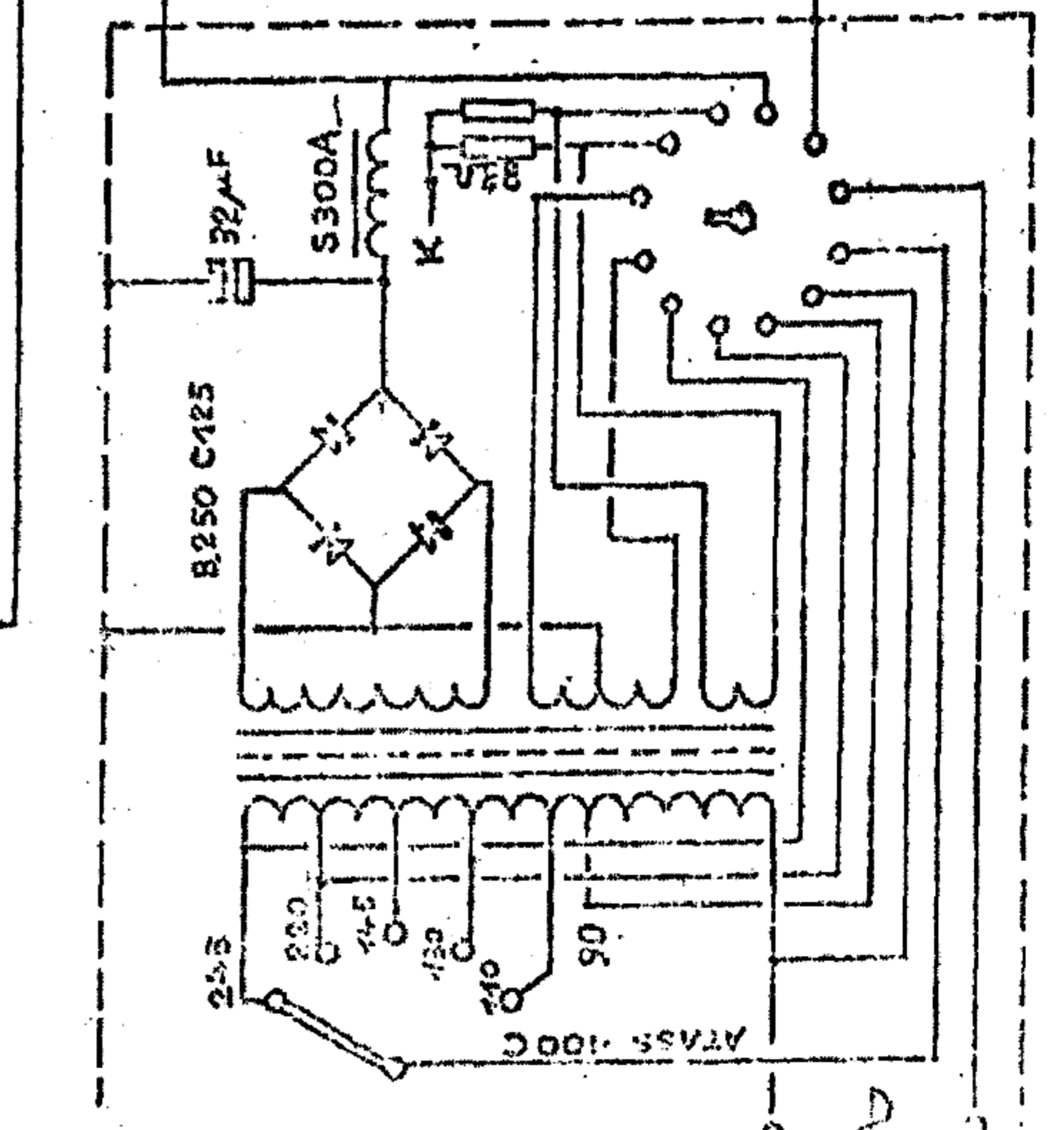
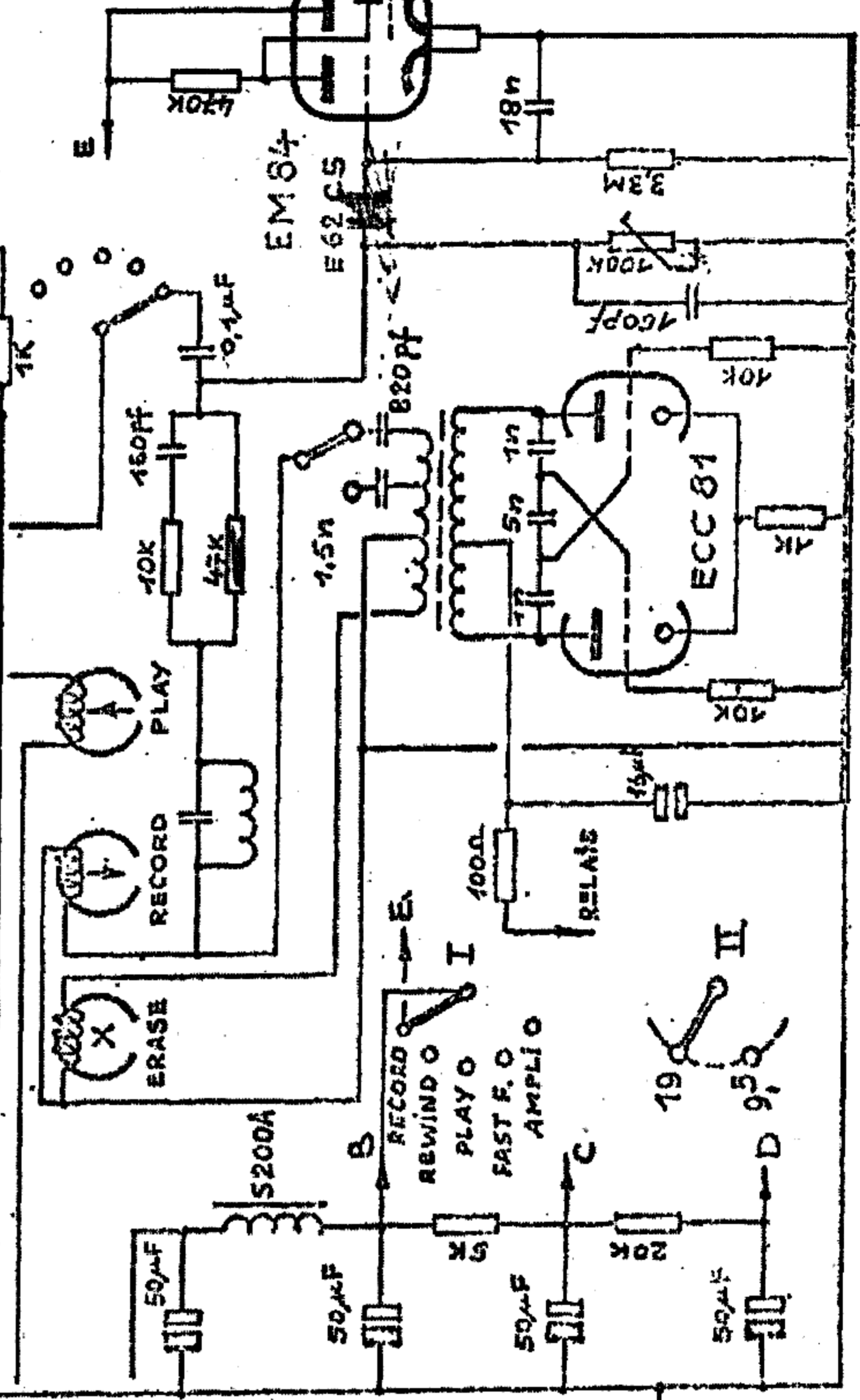
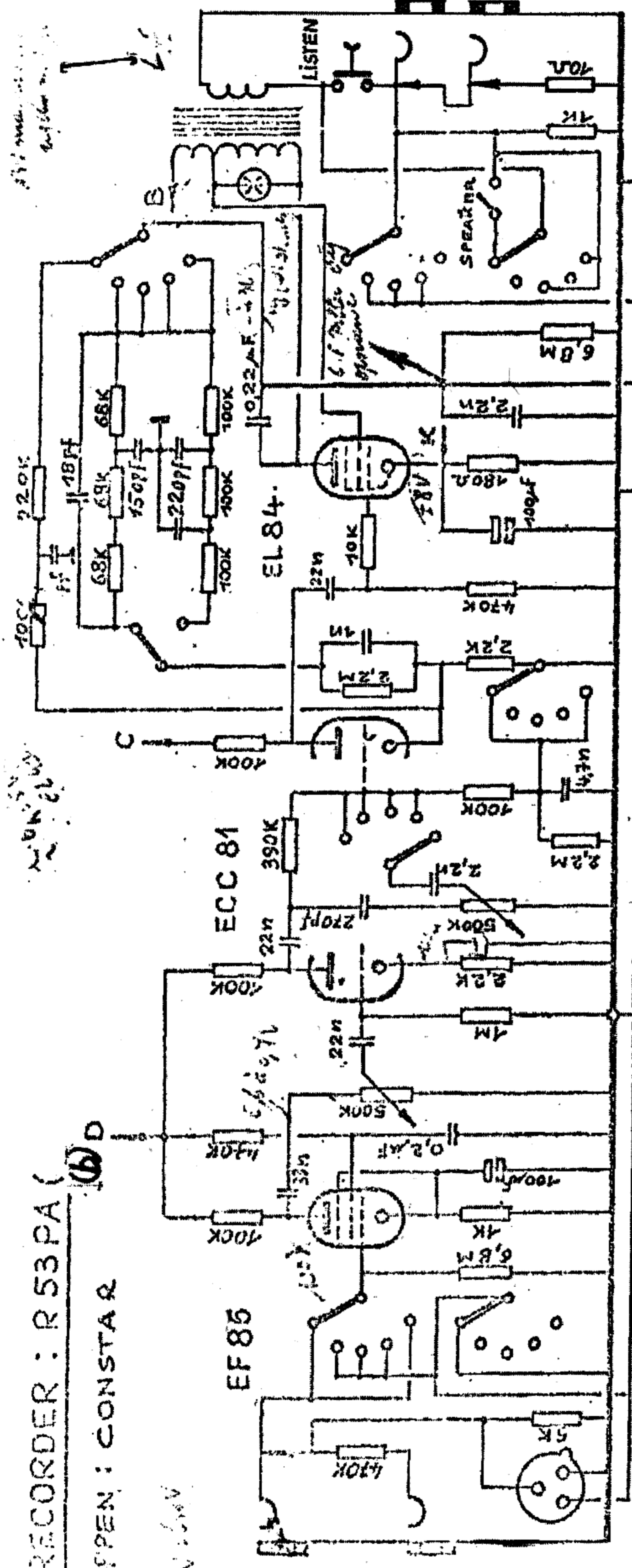
H.g.k.M 31.10-6/12-440B

magneet 37.000W 8000R

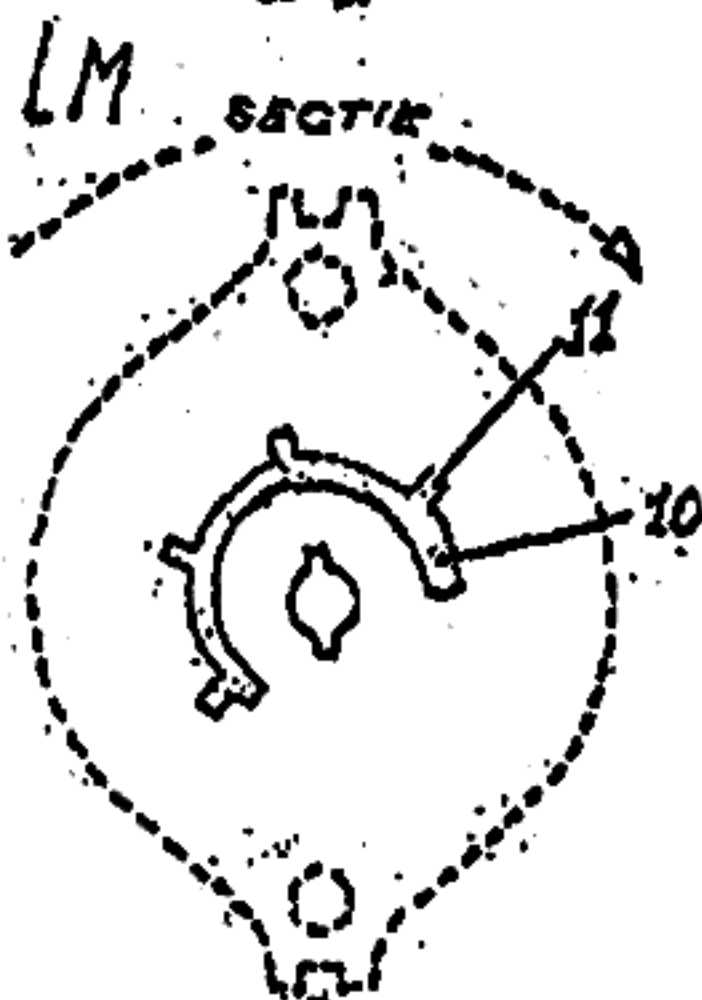
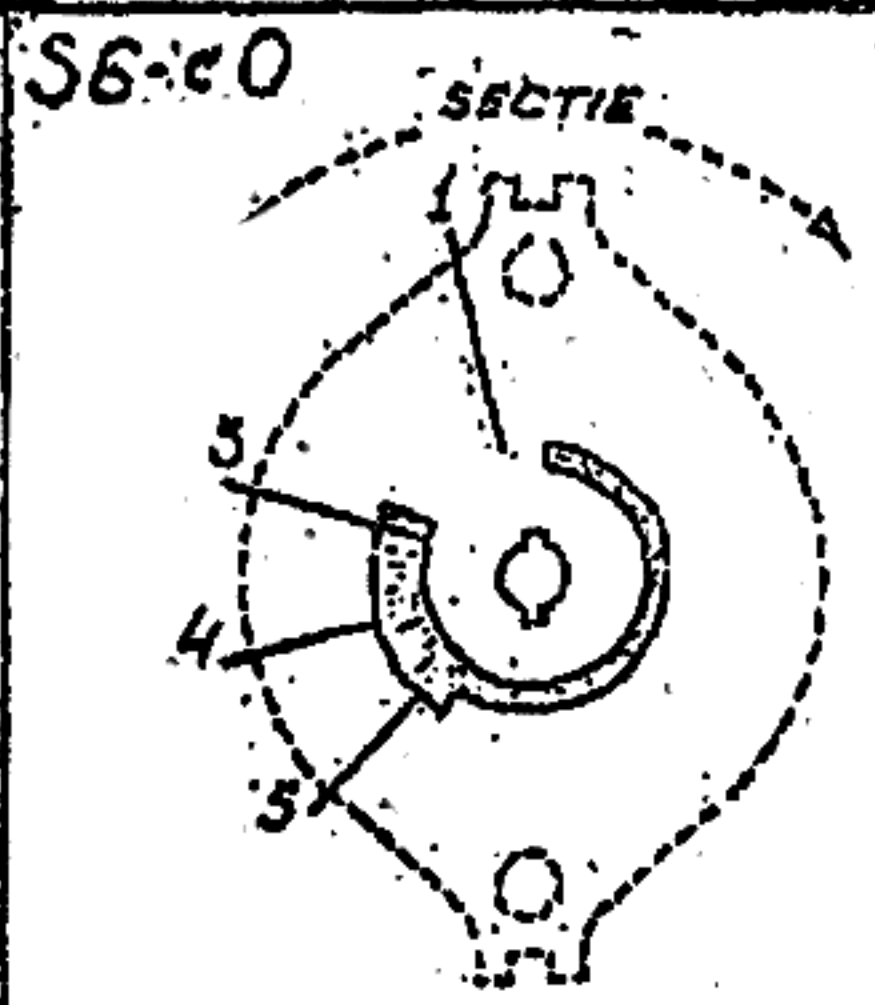
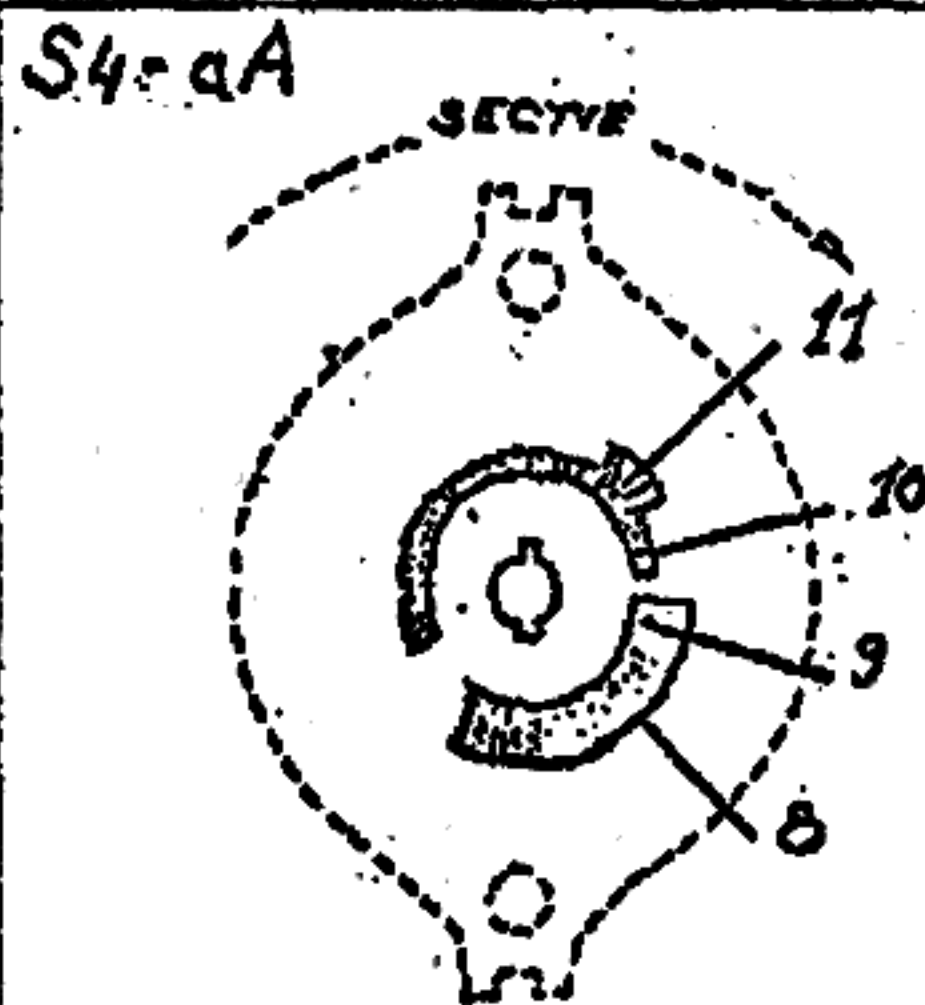
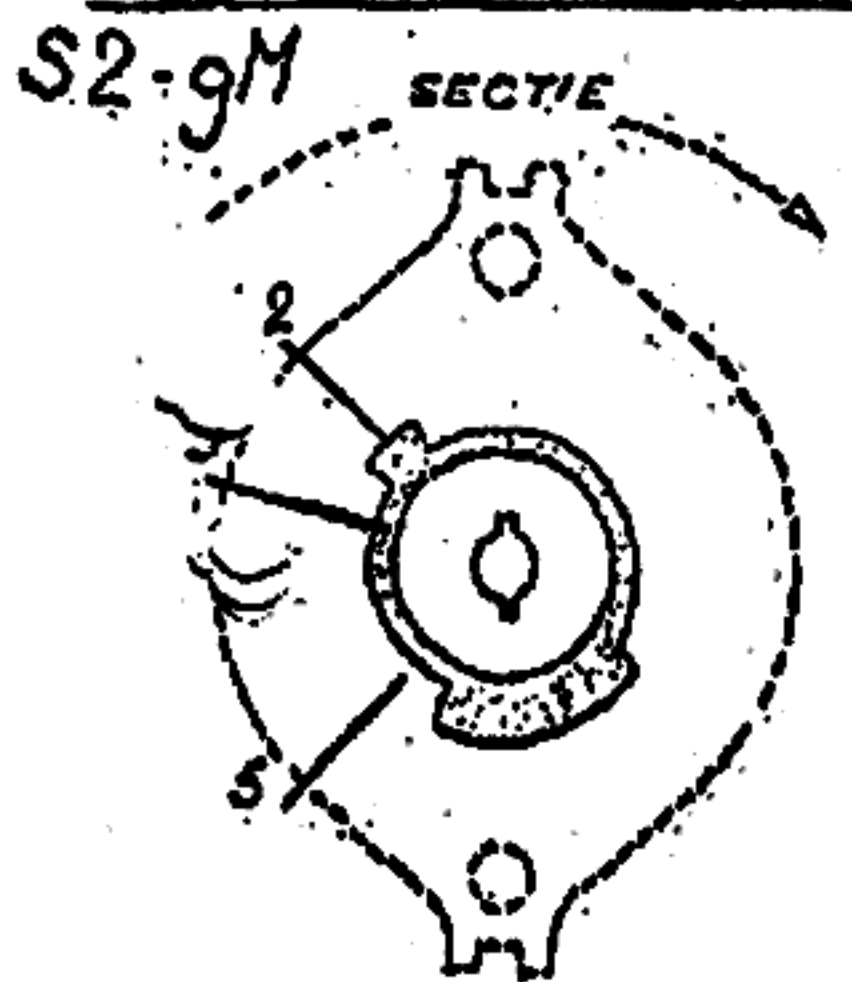
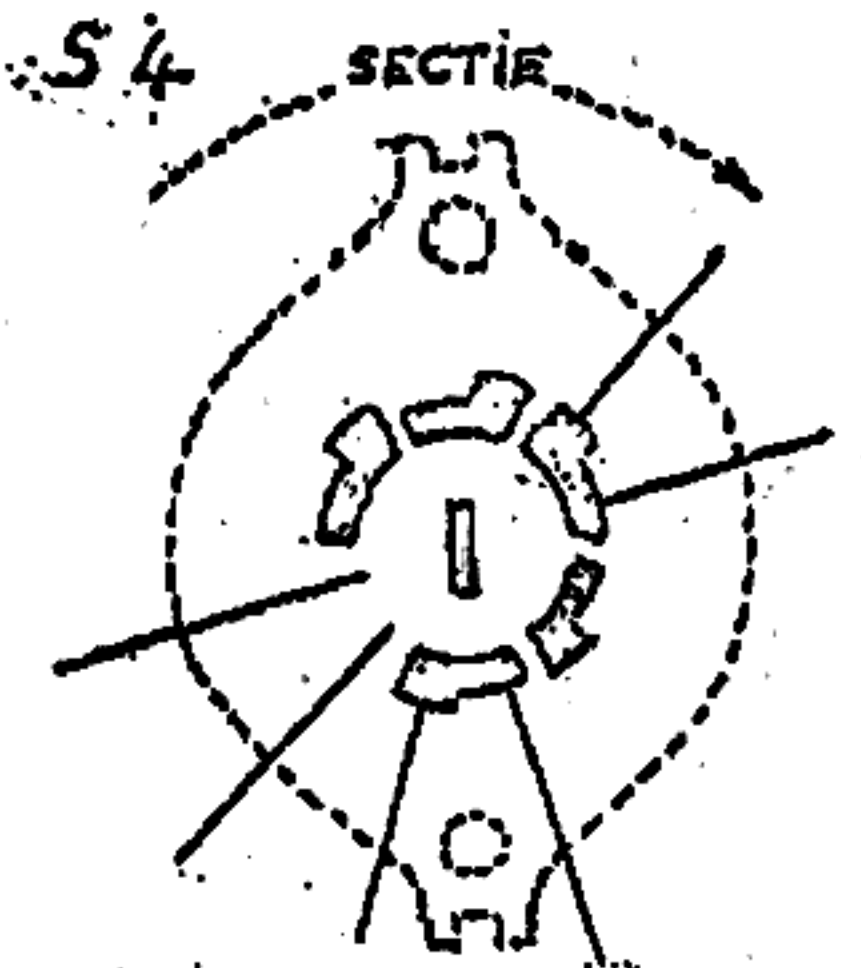
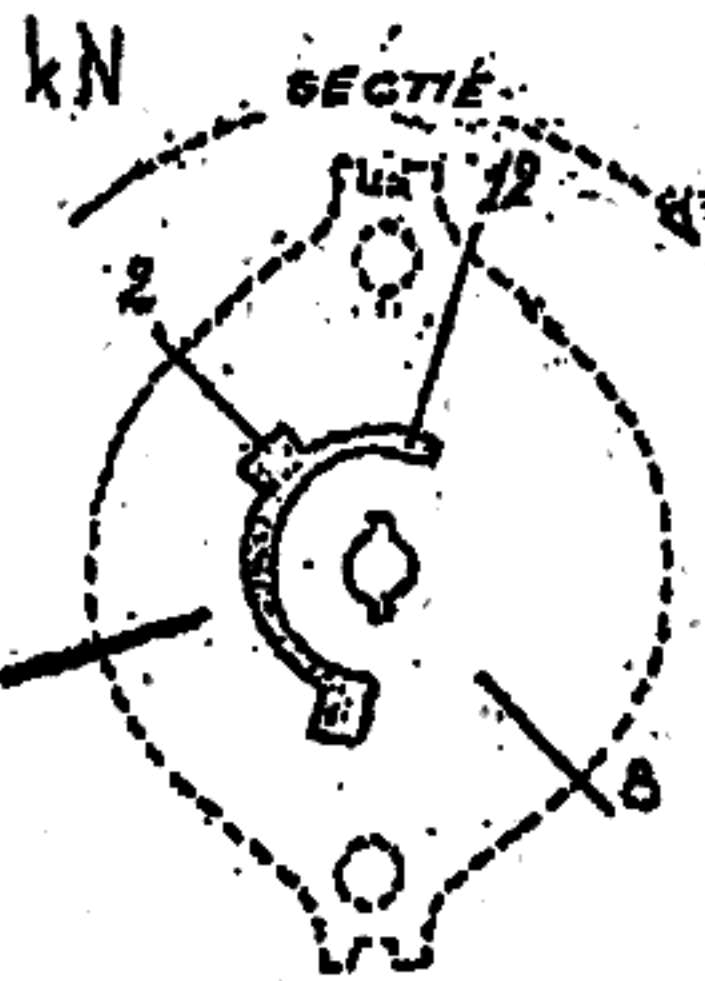
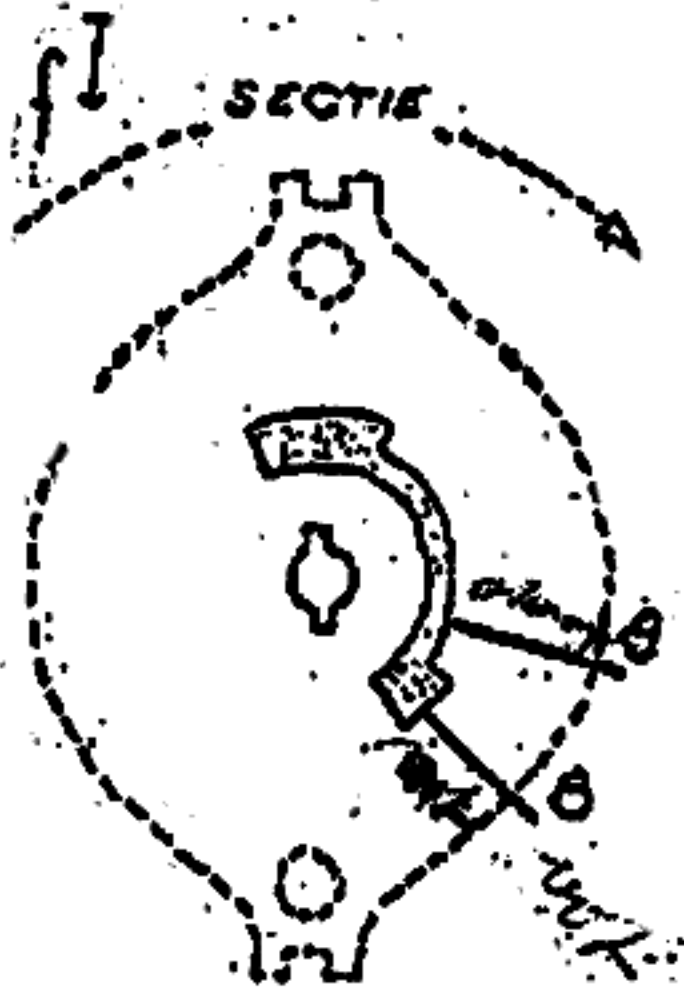
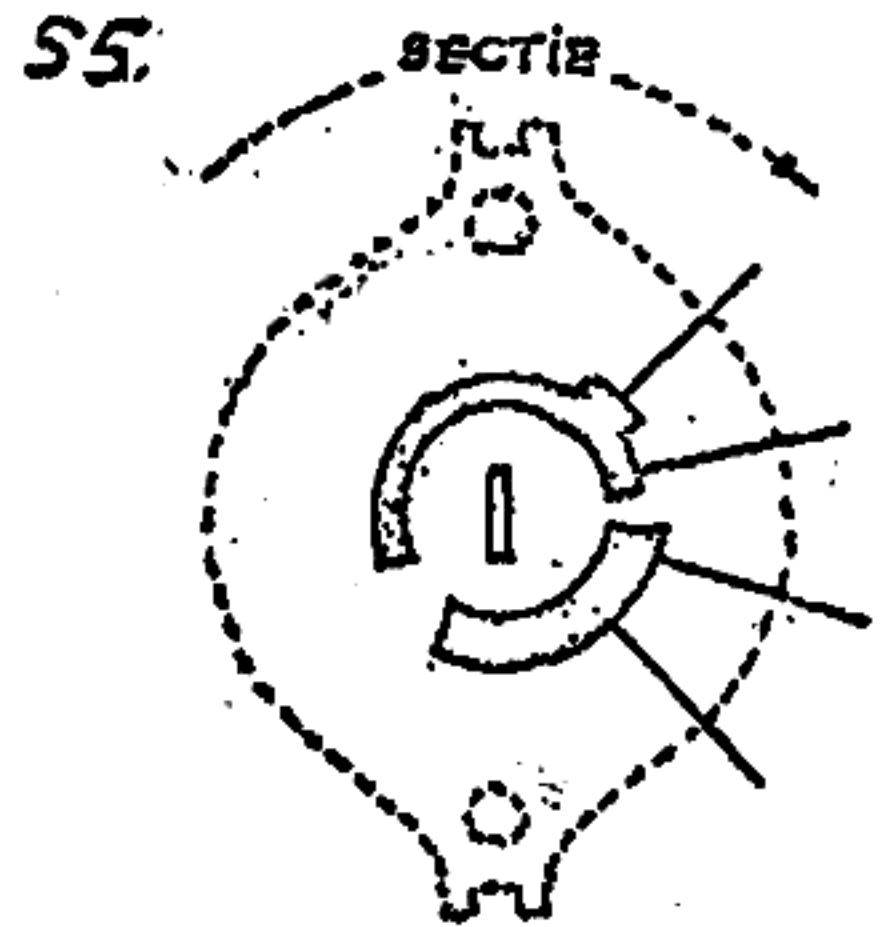
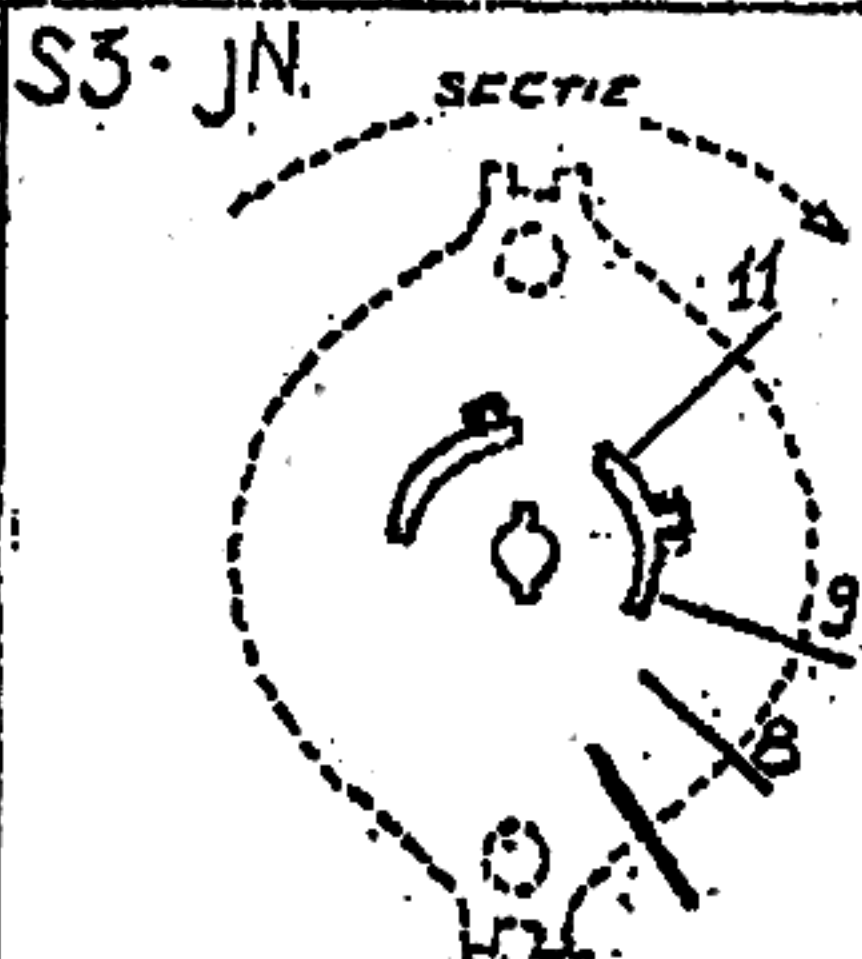
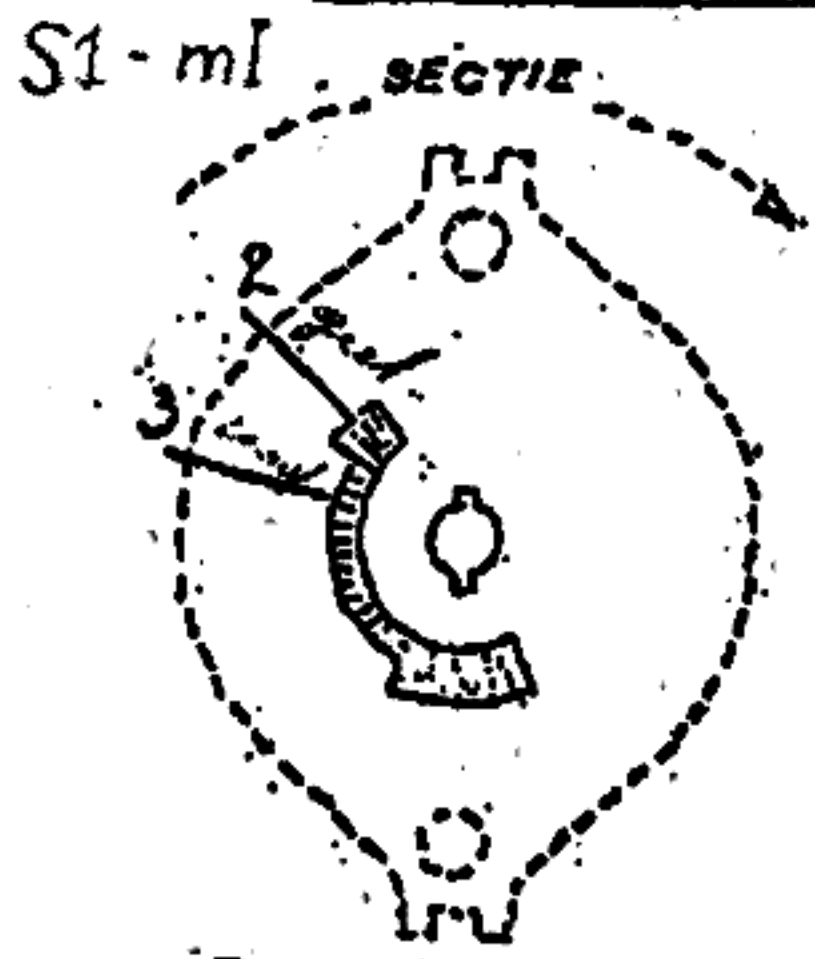
15/02/64



TAPE RECORDER : R 53 PA (6) D
 KOPPEN : CONSTAR



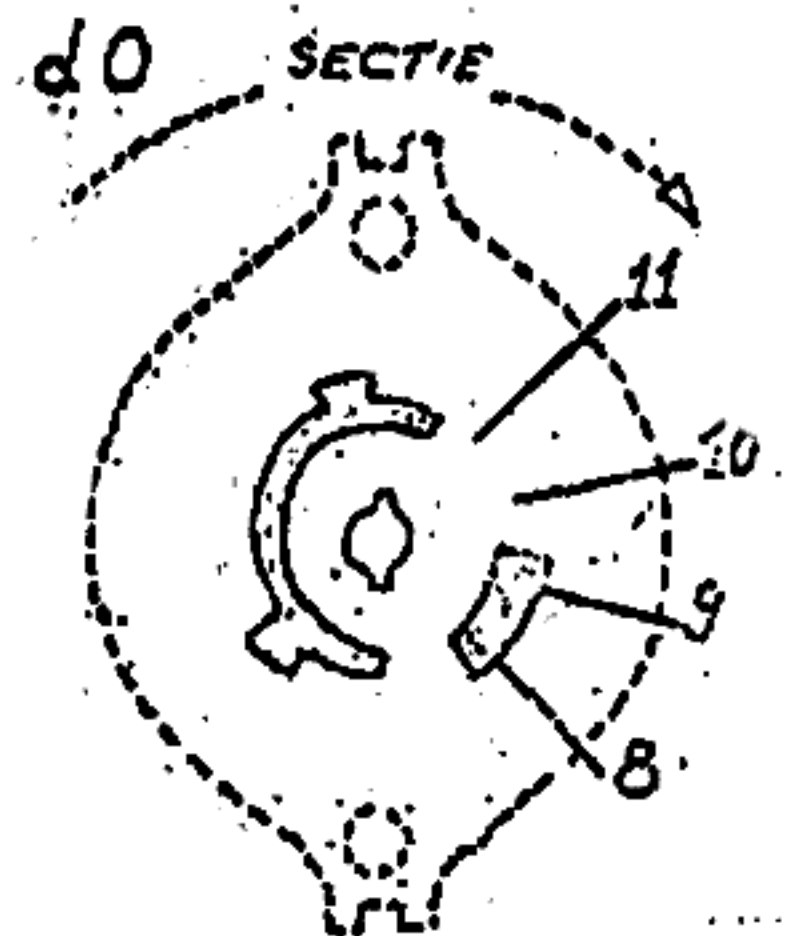
SCHAKELLAAR R53PA (b)



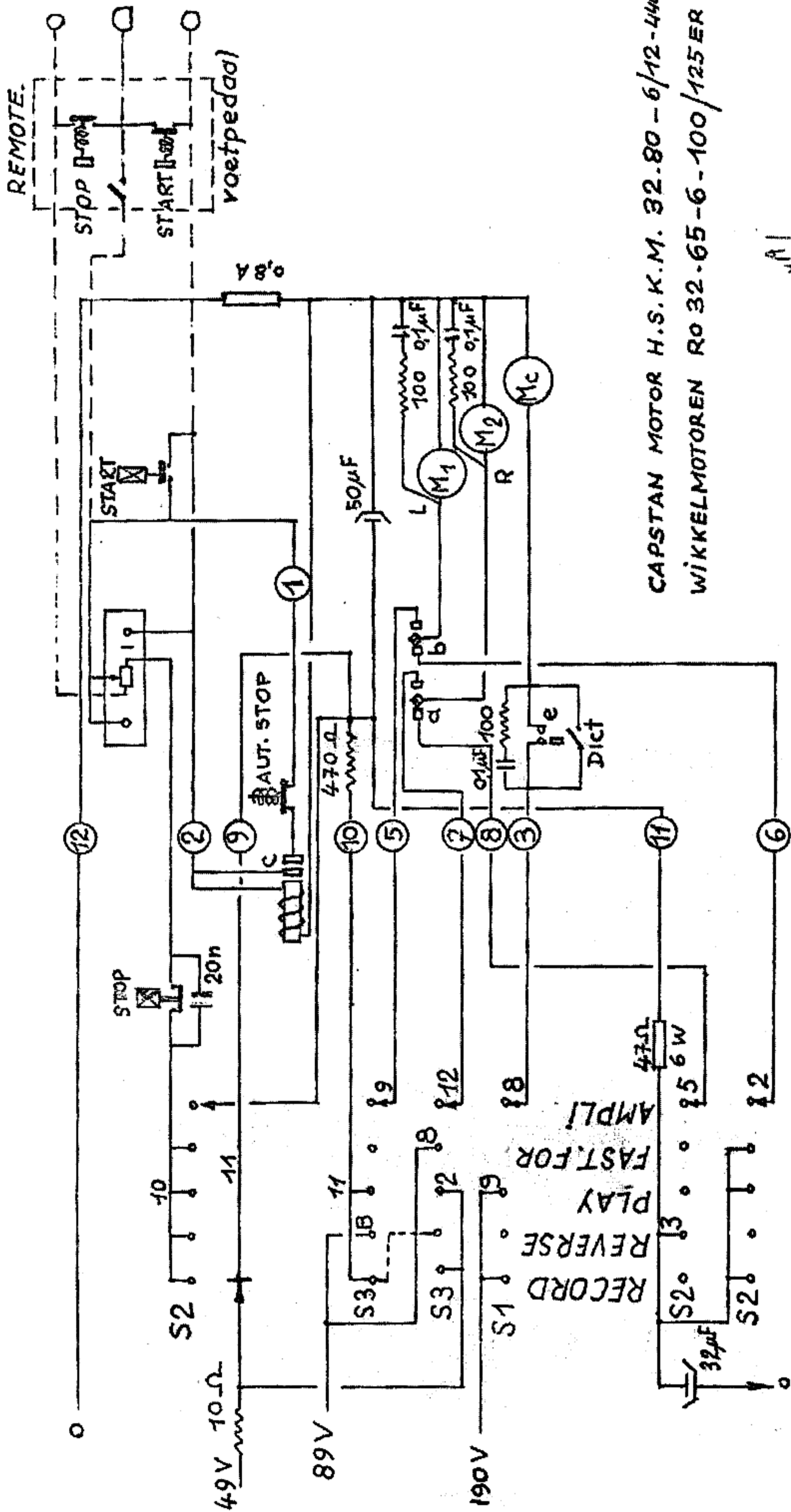
POSITIE
STANDEN

RECORD
RECORD
REVERSE
PLAY
FAST-FORW.
AMPLI

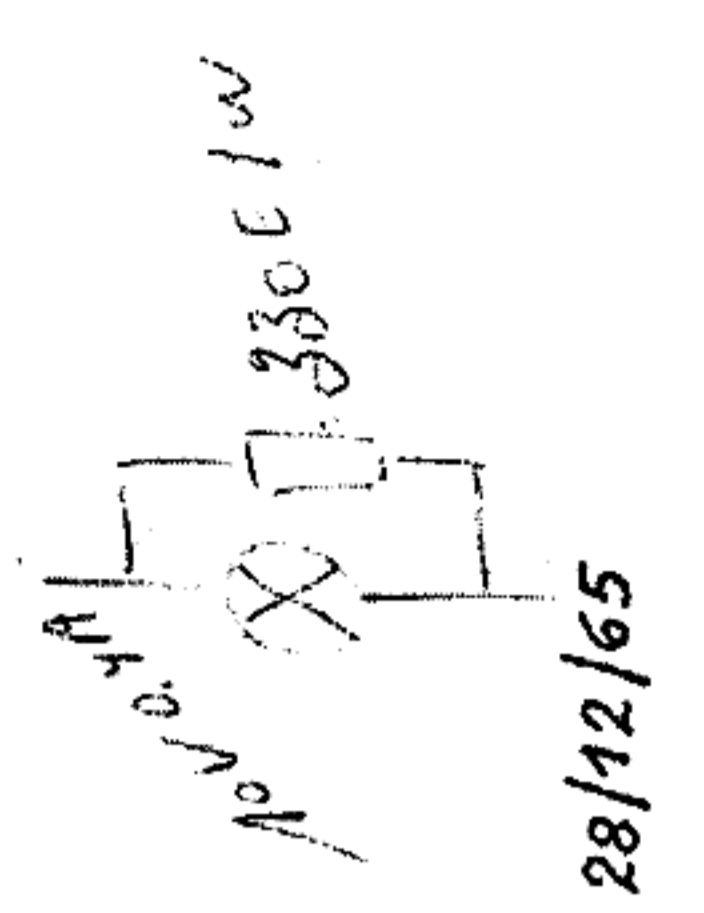
DRAAIHOEK - 60°



R 53 PA (C)

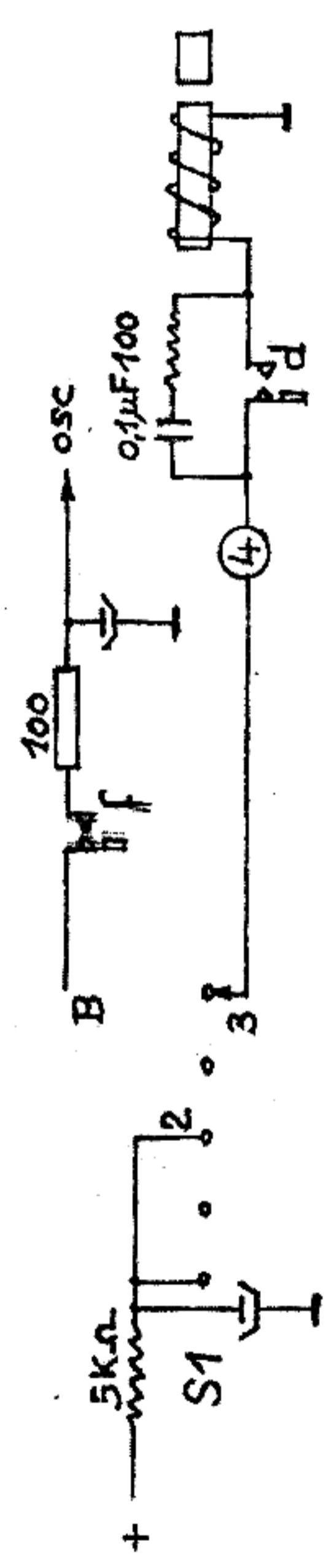


CAPSTAN MOTOR H.S.K.M. 32.80 - 6/12-440D
 WIKKELMOTOREN RO 32.65-6-100/125 ER



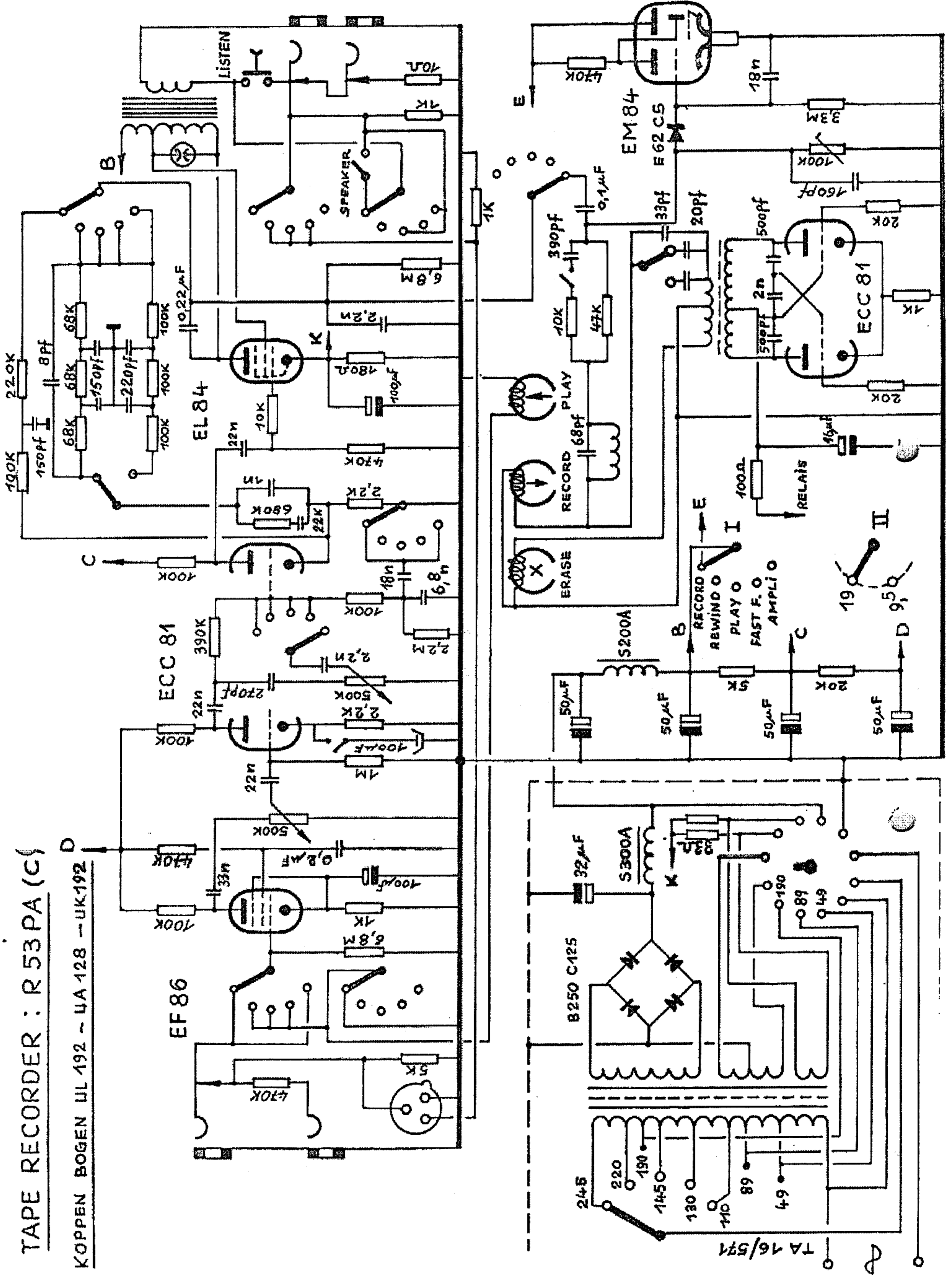
28/12/65

RECORD
 REVERSE
 PLAY
 FAST.FOR
 AMPLI

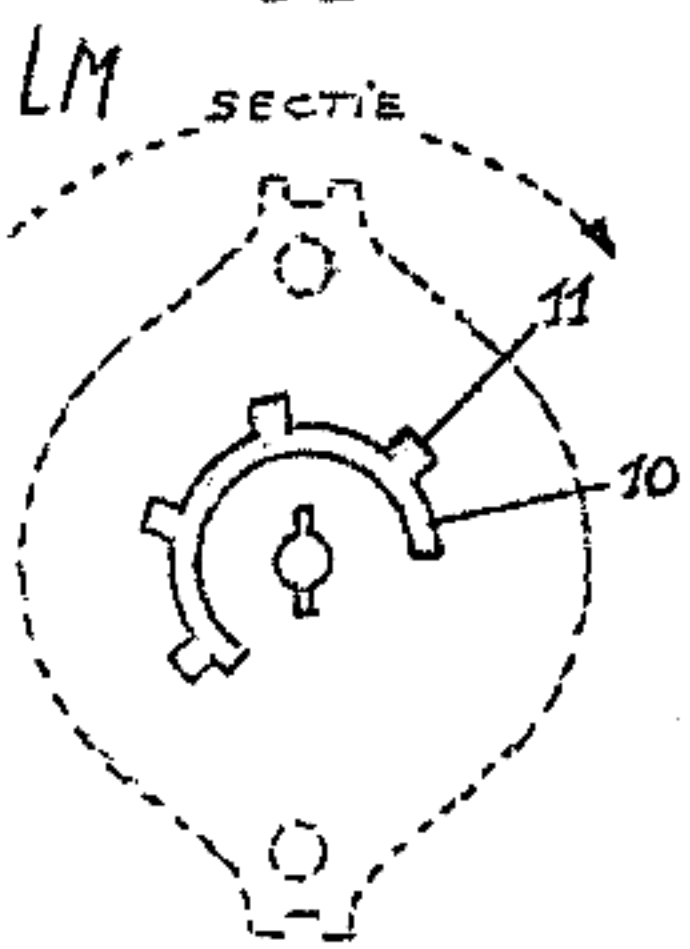
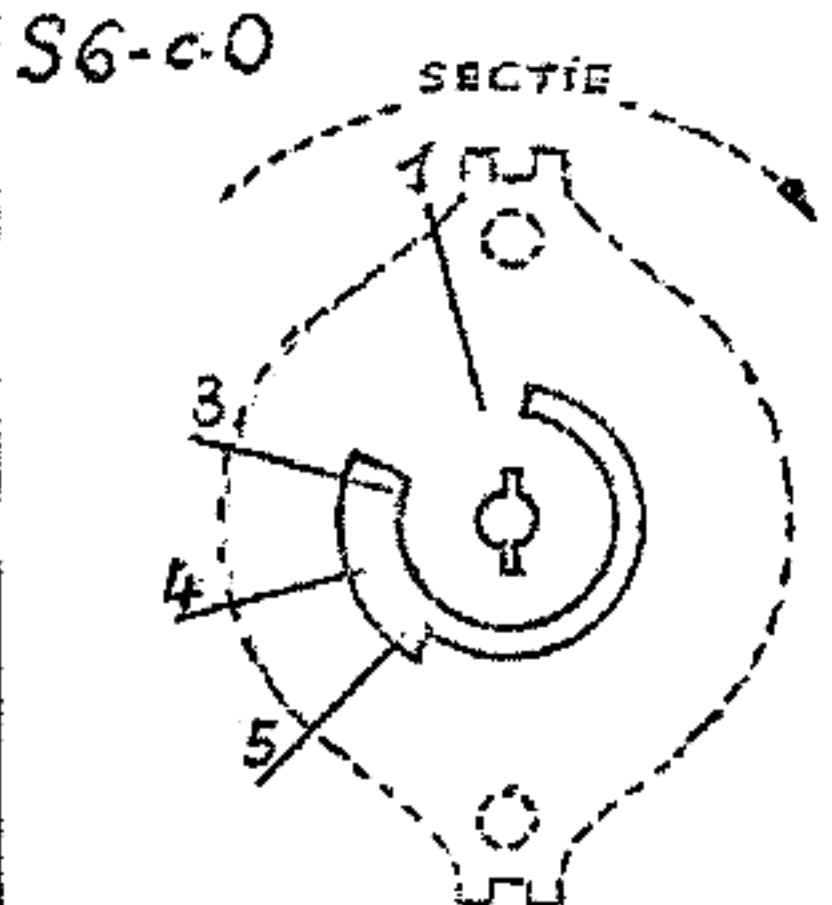
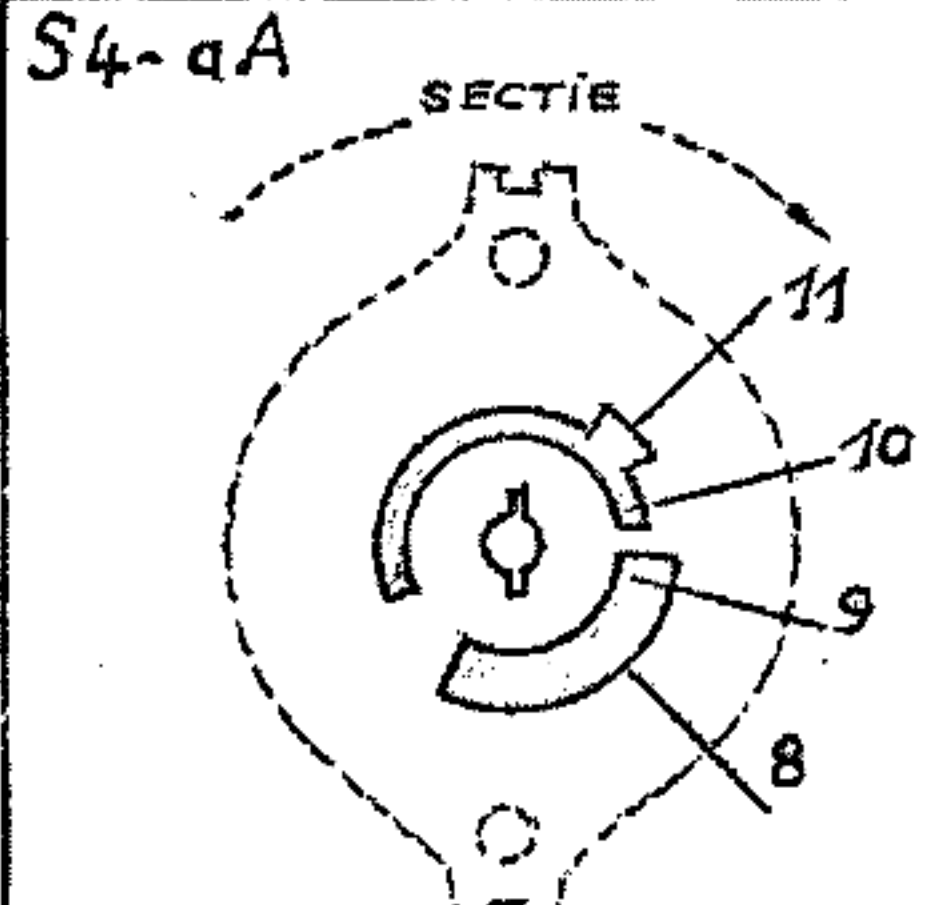
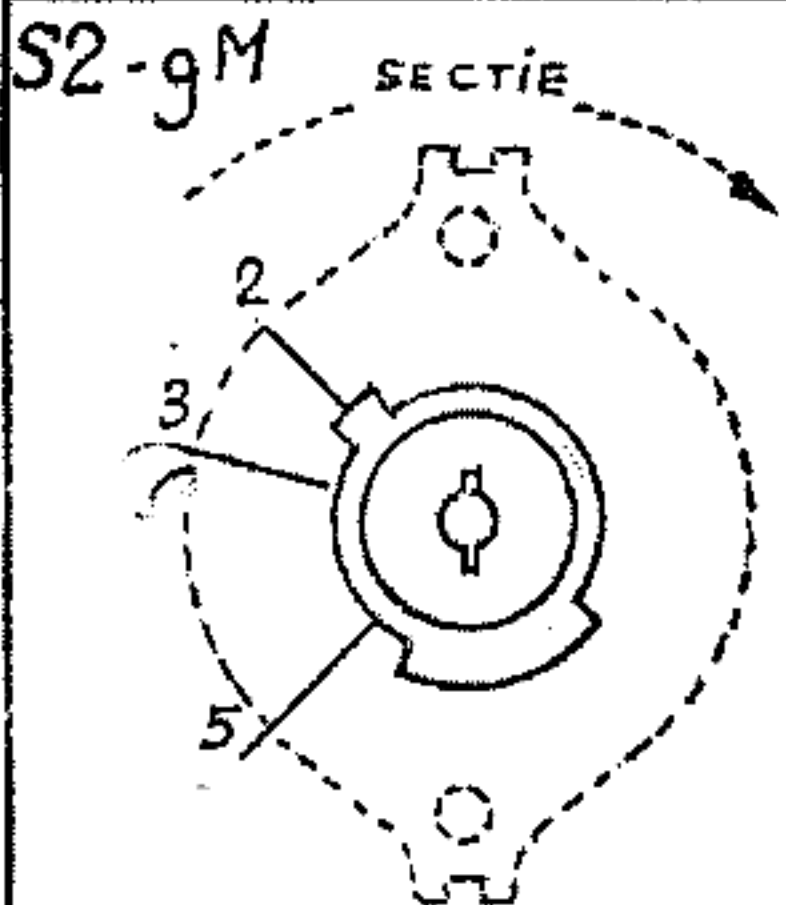
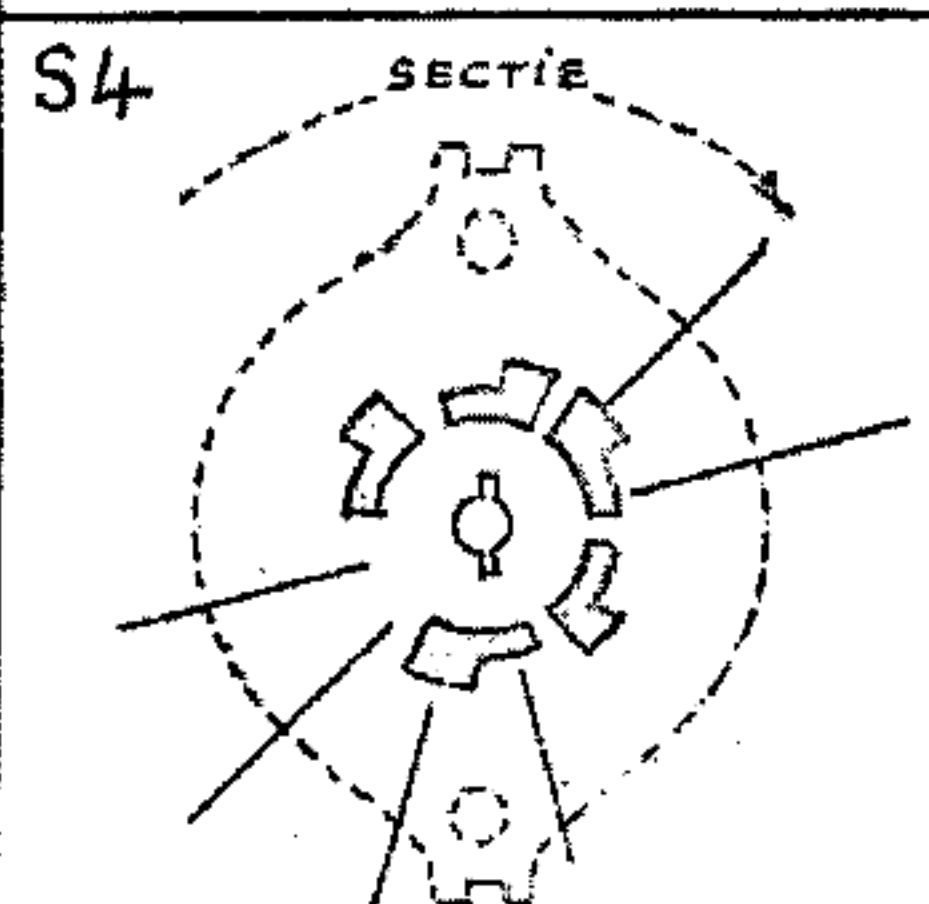
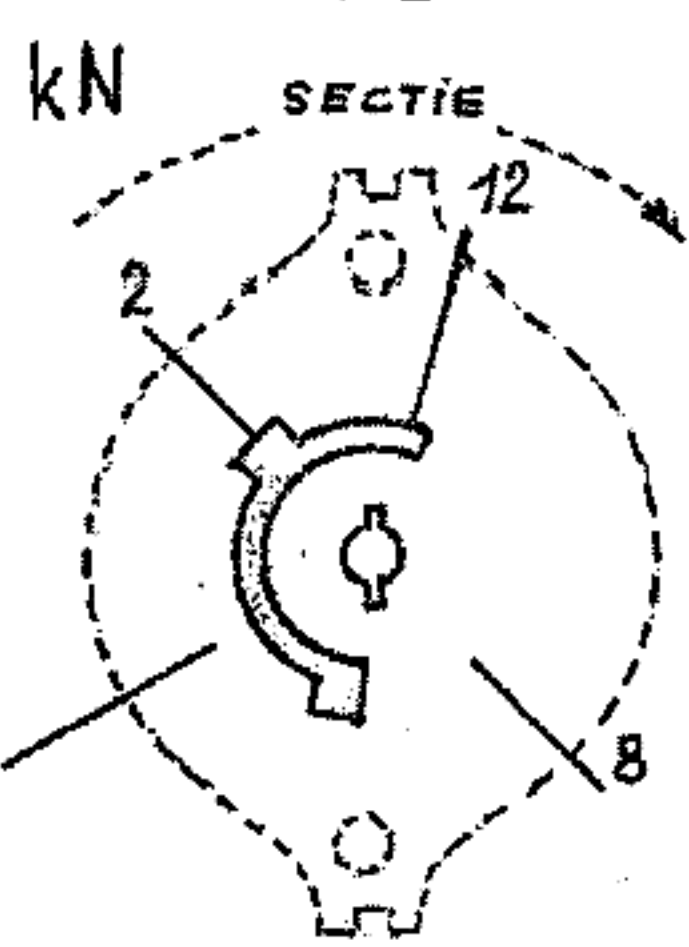
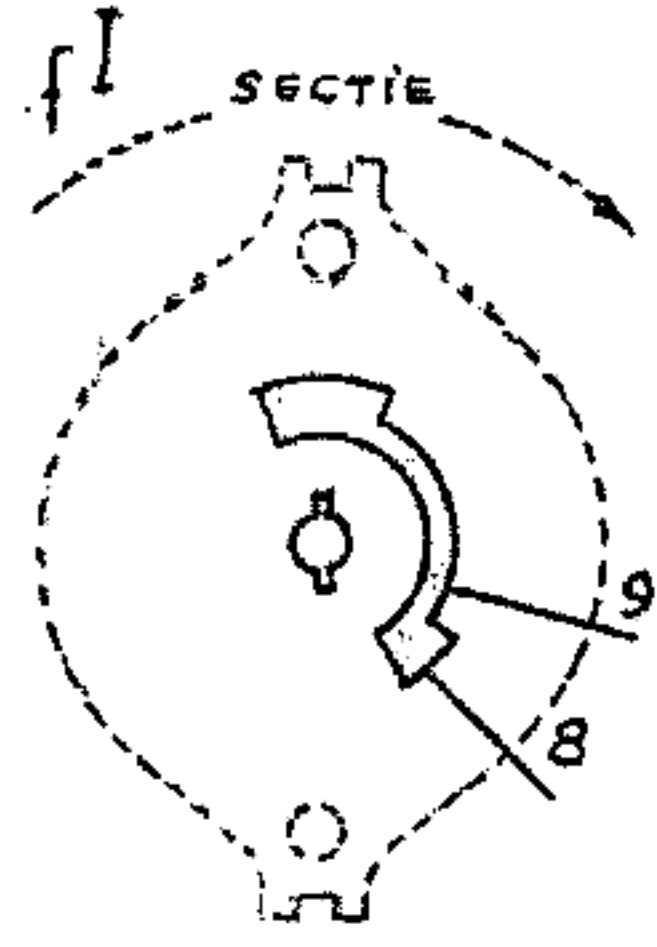
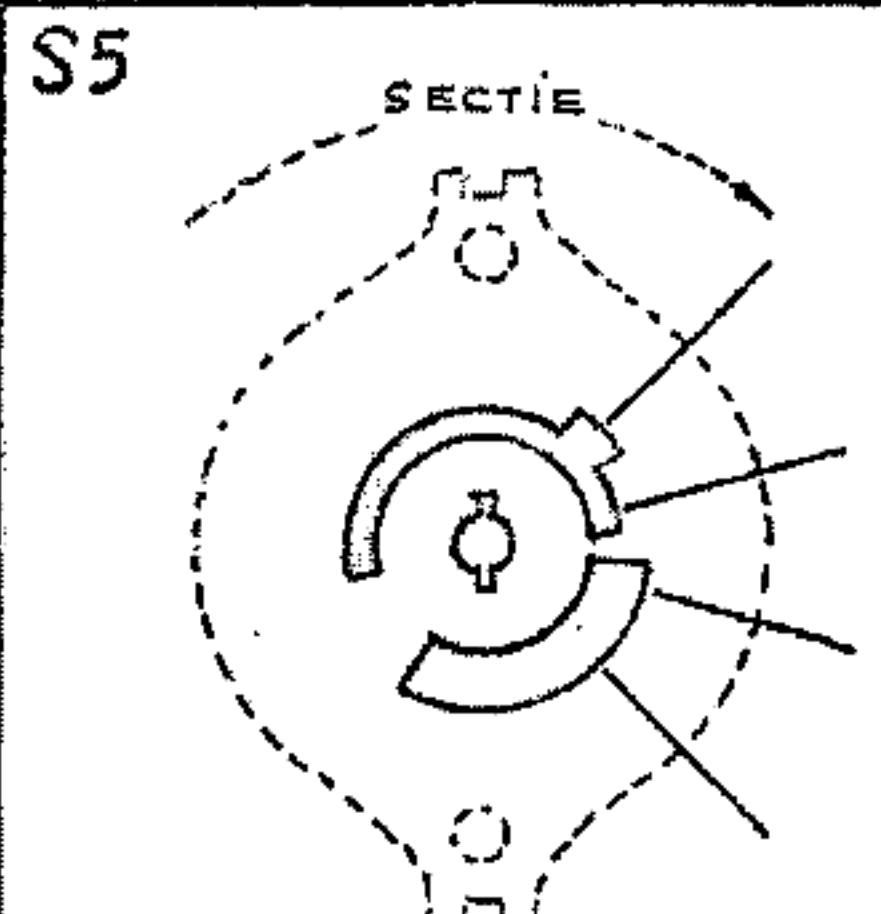
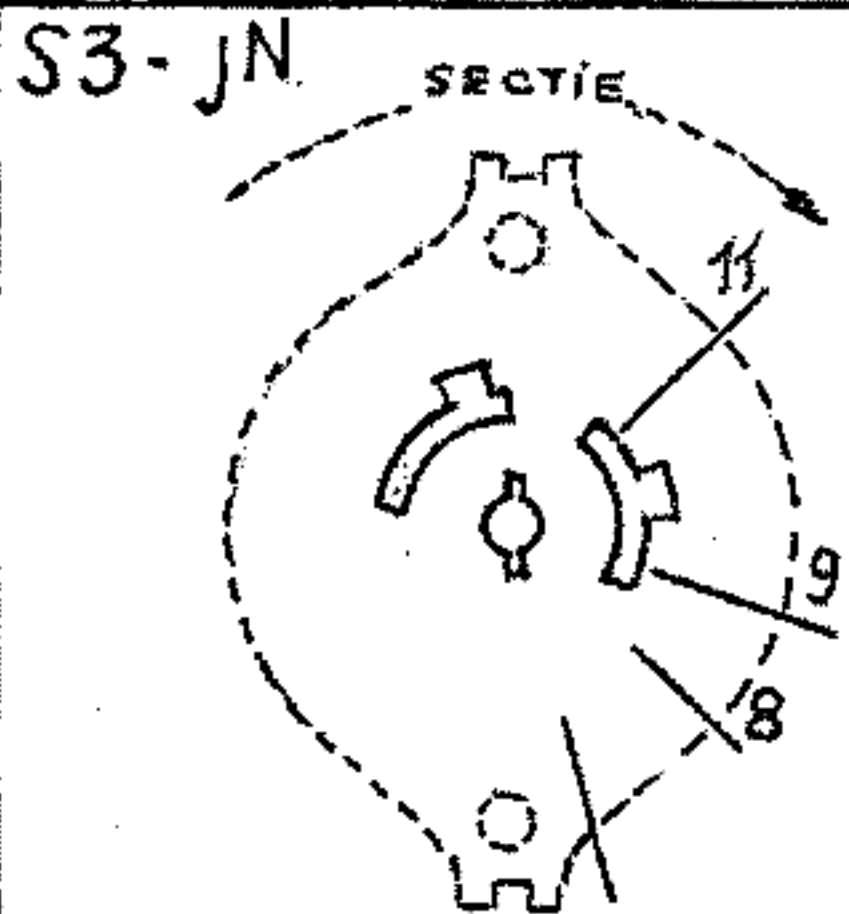
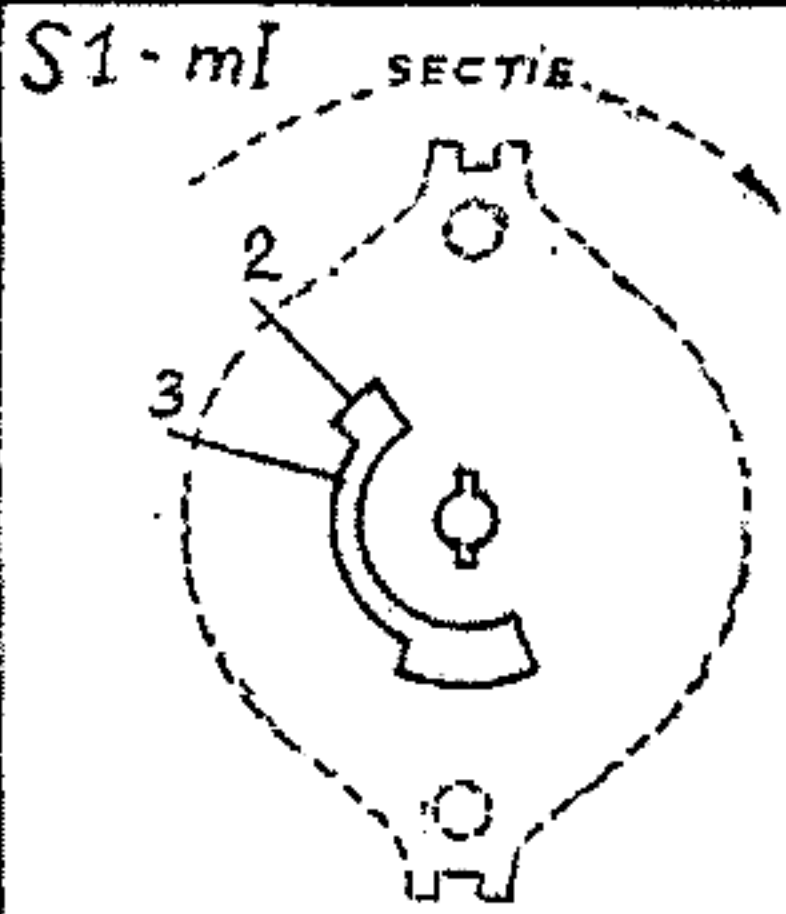


TAPE RECORDER : R 53 PA (C)

KOPPEN BOGEN UL 192 - UA 128 - UK 192



SCHAKELAAR R53 PA(c)



POSITIE - RECORD
 STANDEN - RECORD
 REVERSE
 PLAY
 FAST-FORW
 AMPLI
 DRAAIHOEK - 60°

