

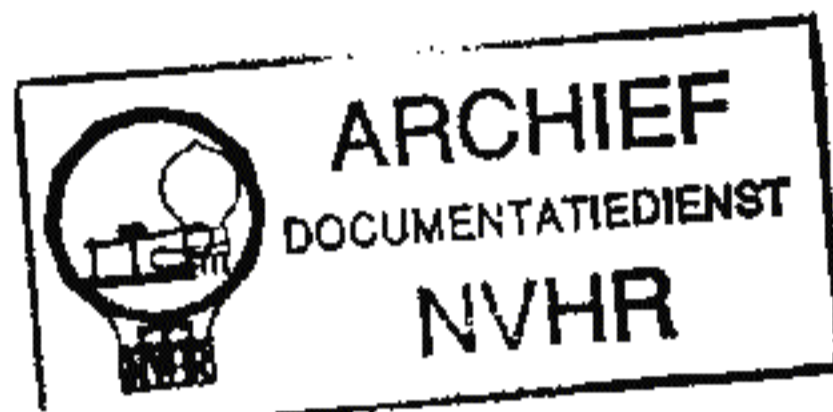


Met dank aan Jef Bos



TRADE NAME : Candle Model PTR-60S
 SUPPLIER : Import Distributors of America, Inc.,
 Div. of Tessler Industries, Inc.,
 4815 Lexington Ave., Cleveland 1, Ohio
 TYPE SET : 6 Transistor AM Receiver
 POWER SUPPLY : 9 Volts DC
 RATING : 10MA @ 9 VDC (No Signal, Min. Volume)
 18MA @ 9 VDC (Signal, Normal Volume)
 TUNING RANGE : BROADCAST 540 - 1620KC

Ned. Ver. v. Historie v/d

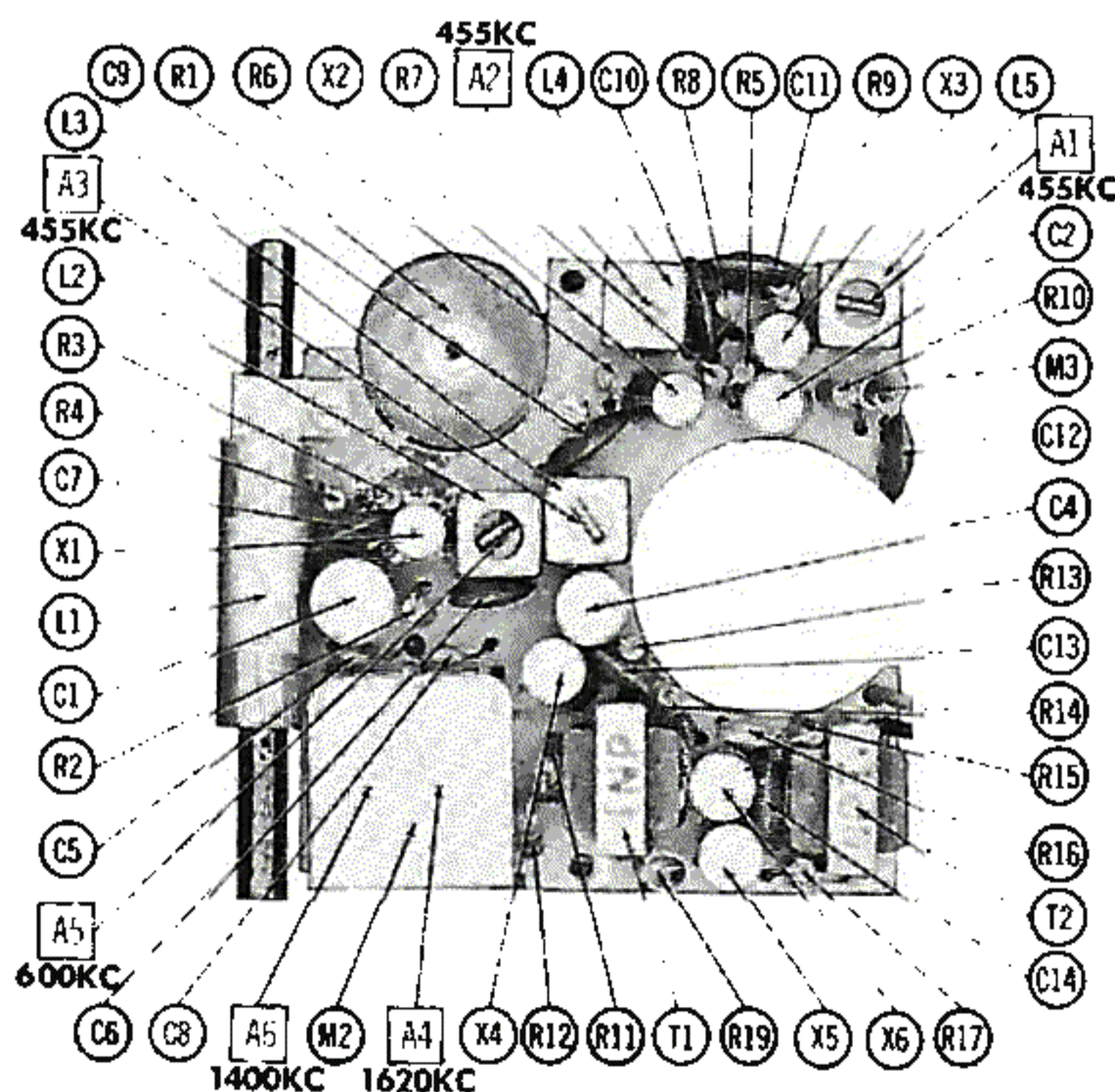


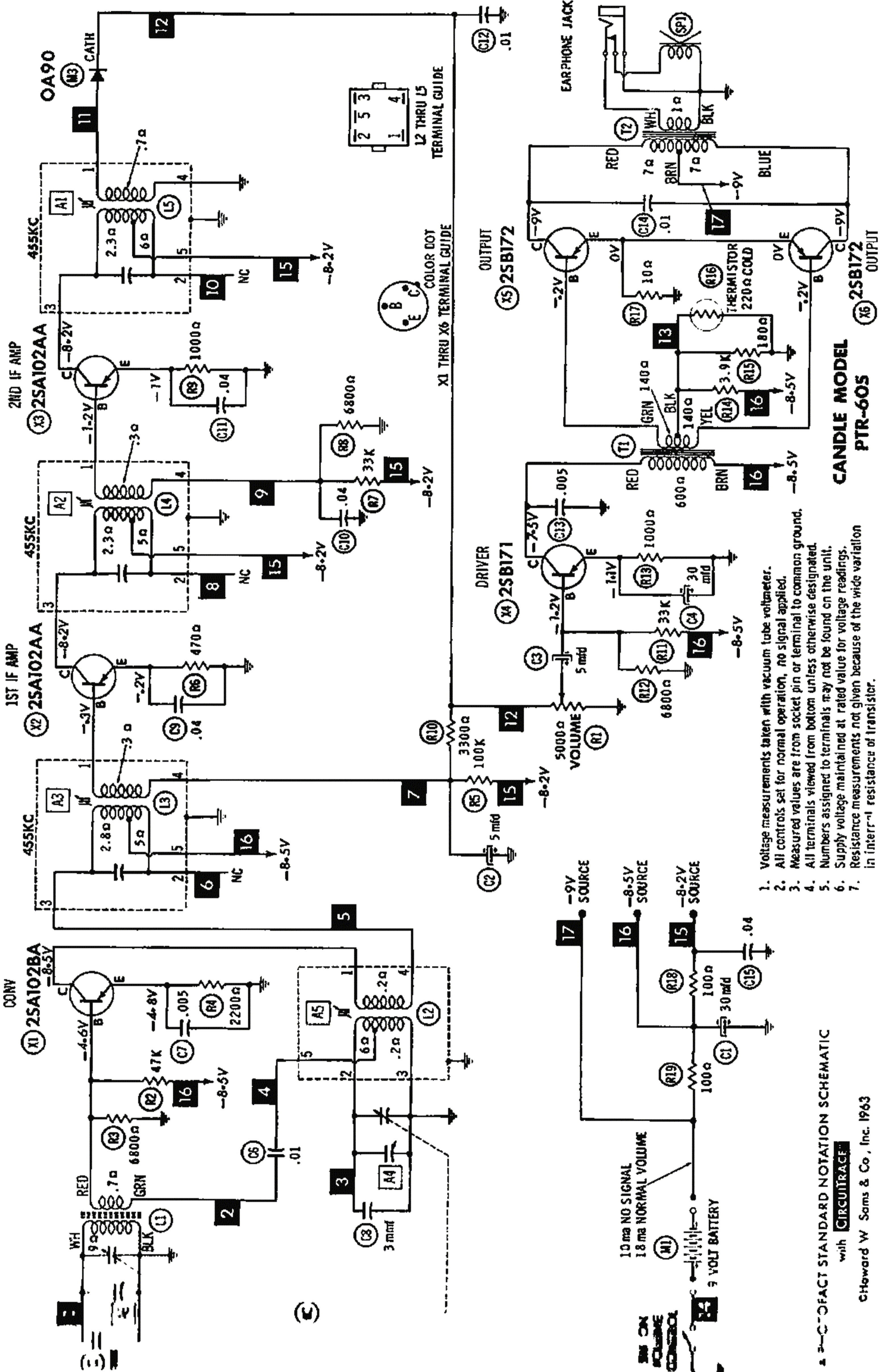
ALIGNMENT INSTRUCTIONS

Check for specified source voltage.
 Fashion loop of several turns of wire and connect generator across loop.
 Adjust output of generator to radiate only enough signal into receiver to obtain a suitable indication.
 Suggested Alignment Tools:

A1 thru A6..... GENERAL CEMENT #5000, 5066, 8290
 WALSCO #2526, 2543

	SIGNAL GENERATOR FREQUENCY	RADIO DIAL SETTING	INDICATOR	ADJUST	REMARKS
1.	455KC (400% Mod.)	Tuning gang fully open.	Output Meter across voice coil.	A1, A2, A3	Adjust for maximum. Repeat as required.
2.	1620KC	"	"	A4	Adjust for maximum.
3.	600KC	Tune to Signal.	"	A5	Rock tuning gang and adjust for maximum. Repeat steps 2 and 3.
4.	1400KC	"	"	A6	Adjust for maximum.



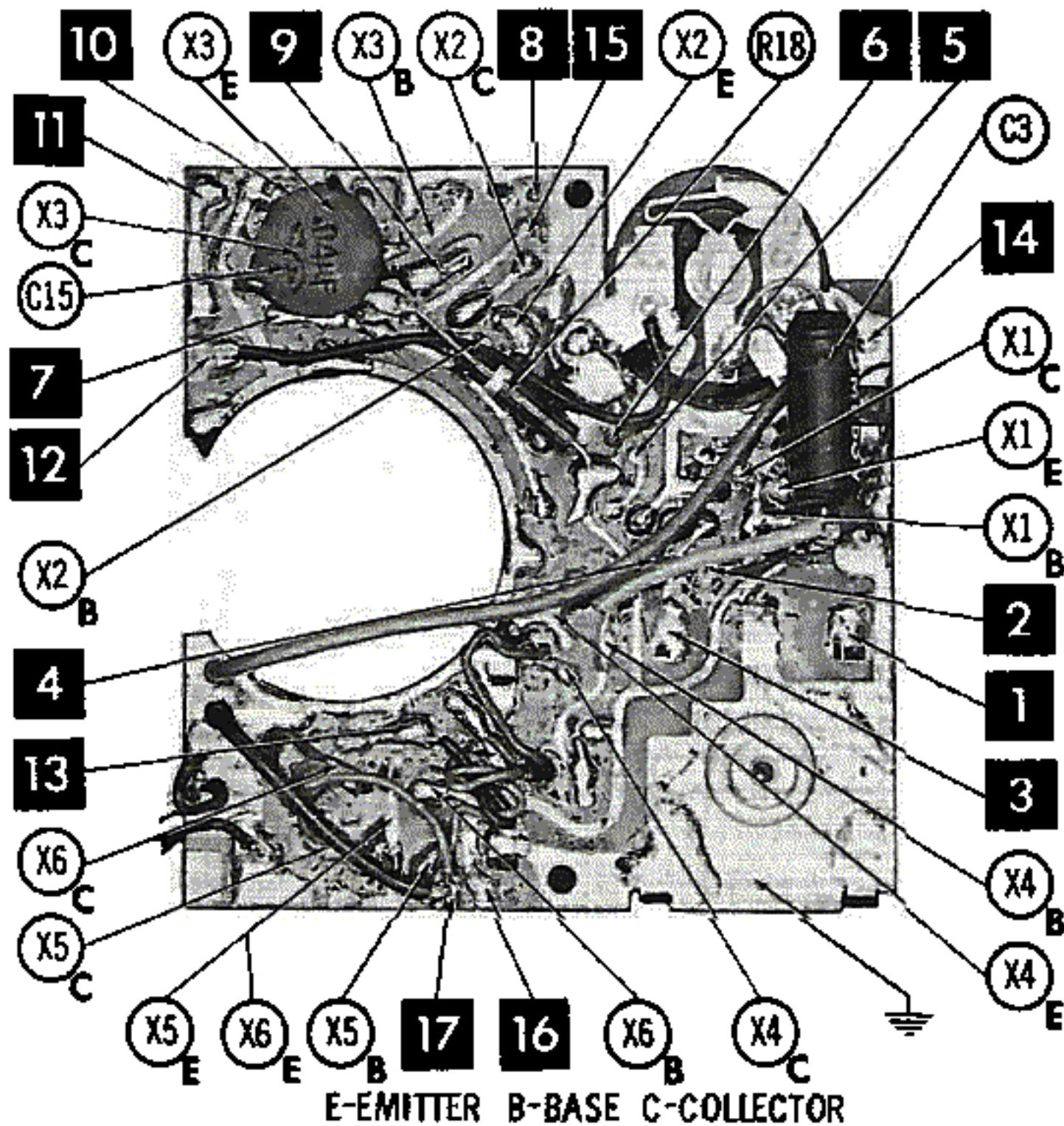


1. Voltage measurements taken with vacuum tube voltmeter.
2. All controls set for normal operation, no signal applied.
3. Measured values are from bottom pin or terminal to common ground.
4. All terminals viewed from bottom unless otherwise designated.
5. Numbers assigned to terminals may not be found on the unit.
6. Supply voltage maintained at rated value for voltage readings.
7. Resistance measurements not given because of the wide variation in internal resistance of transistor.

3-C-FACT STANDARD NOTATION SCHEMATIC
with **CIRCUTRACE**
©Howard W Sams & Co., Inc. 1963

**B-BASE
E-EMITTER
C-COLLECTOR**

**A Howard W. Sams
CIRCUITRACE Photo**



WIRING DATA

General-use Unshielded Hook-up Wire	Use BELDEN No. 8530 (Solid 22AWG) 8524 (Stranded 22AWG) 8570 (Stranded 26AWG)	Available in 12 Colors
---	---	------------------------------

TRANSISTORS

ITEM No.	ORIG. TYPE	USE	REPLACEMENT DATA			NOTES
			DELCO PART No.	GENERAL ELECTRIC PART No.	RCA PART No.	
X1	2SA102BA	Converter	DS-25			PNP
X2	2SA102AA	1st IF Amp.	DS-25			PNP
X3	2SA102AA	2nd IF Amp.	DS-25			PNP
X4	2SB171	Driver			2N406	PNP
X5	2SB172	Output			2N408	PNP
X6	2SB172	Output			2N408	PNP

ELECTROLYTIC CAPACITORS

ITEM No.	RATING		REPLACEMENT DATA						
	CAP.	VOLT.	CANDLE PART No.	AEROVOX PART No.	CORNELL-DUBILIER PART No.	GENERAL ELECTRIC PART No.	MALLORY PART No.	PYRAMID PART No.	SPRAGUE PART No.
C1	30	10							
C2	5	3		CRE204	NLW5-15	MT1-3			TE-1052.2
C3	5	3		CRE204	NLW5-15	MT1-3			TE-1052.2
C4	30	3		CRE212					

FIXED CAPACITORS

ITEM No.	RATING	REMARKS	REPLACEMENT DATA					
			AEROVOX PART No.	CENTRALAB PART No.	CORNELL-DUBILIER PART No.	ELMENCO PART No.	MALLORY PART No.	SPRAGUE PART No.
C5	2		NPO-DI 2.0	DTZ-2R2	C10V2C	CCTO-2R2	CNO-522	10TCC-V22
C6	.01		TTD-01	CK-103	H05S1		TA-110	TG-S10
C7	.005		TTD-005	CK-502	H05D5		TA-250	TG-D50
C8	3		NPO-DI 3.0	DTZ-3R3	C10V3C	CCTO-3R3	CNO-533	10TCC-V33
C9	.04		TTD-05	CK-503	H05S5		TA-150	TG-S50
C10	.04		TTD-05	CK-503	H05S5		TA-150	TG-S50
C11	.04		TTD-05	CK-503	H05S5		TA-150	TG-S50
C12	.01		TTD-01	CK-103	H05S1		TA-110	TG-S10
C13	.005		TTD-005	CK-502	H05D5		TA-250	TG-D50
C14	.01		TTD-01	CK-103	H05S1		TA-110	TG-S10
C15	.04		TTD-05	CK-503	H05S5		TA-150	TG-S50

CONTROLS

All wattages 1/2 watt, or less, unless otherwise listed.

ITEM No.	USE	RESISTANCE	REPLACEMENT DATA				
			CANDLE PART No.	CENTRALAB PART No.	CLAROSTAT PART No.	CTS-IRC PART No.	MALLORY PART No.
R1	Volume & Switch	5000Ω		B16-216 Ⓟ			

Ⓟ Use Original Knob.

ID DESCRIPTION

COILS (RF-IF)

ITEM No.	USE	REPLACEMENT DATA					NOTES
		CANDLE PART No.	MERIT PART No.	MILLER PART No.	STANCOR PART No.	WORKMAN PART No.	
L1	Loopstick			2009			
L2	Osc.		BC-572	2060		RTC-9261	
L3	1st IF		BC-569	2061		RTC-9262	
L4	2nd IF		BC-570	2062		RTC-9263	
L5	3rd IF		BC-571	2063		RTC-9264	

TRANSFORMER (DRIVER)

ITEM No.	TURNS RATIO		REPLACEMENT DATA					NOTES
			CANDLE PART No.	MERIT PART No.	STANCOR PART No.	THORDARSON PART No.	TRIAD PART No.	
	PRI.	SEC.						
T1	1.5	1						

TRANSFORMER (AUDIO OUTPUT)

ITEM No.	IMPEDANCE		REPLACEMENT DATA					NOTES
			CANDLE PART No.	MERIT PART No.	STANCOR PART No.	THORDARSON PART No.	TRIAD PART No.	
	PRI.	SEC.						
T2	1000Ω CT	8-10Ω						

SPEAKER

ITEM No.	TYPE	REPLACEMENT DATA		NOTES
		CANDLE PART No.	QUAM PART No.	
SP1	2" PM 8-10Ω			

BATTERIES

ITEM No.	VOLTAGE	CANDLE PART No.	REPLACEMENT DATA			NOTES
			BURGESS	EVEREADY	MALLORY	
M1	9		2U6 (or H146)	216	M-1604 (or TR-146)	

MISCELLANEOUS

ITEM No.	PART NAME	CANDLE PART No.	NOTES
M2 M3	Tuning Cap. Detector (OA90)		2 Gang