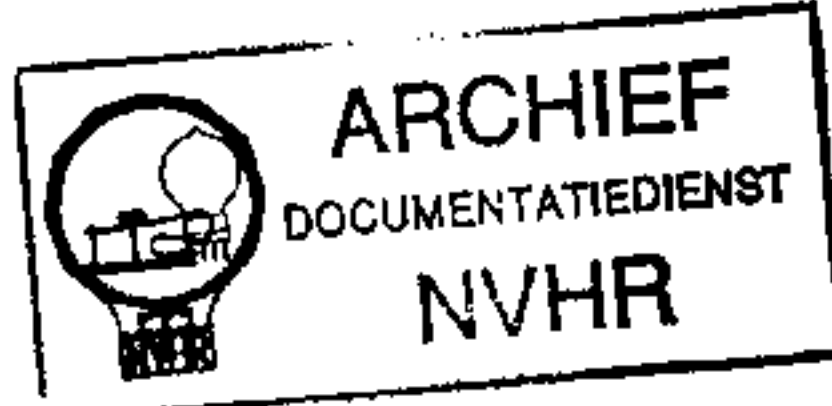


BUSH



Model SRG86

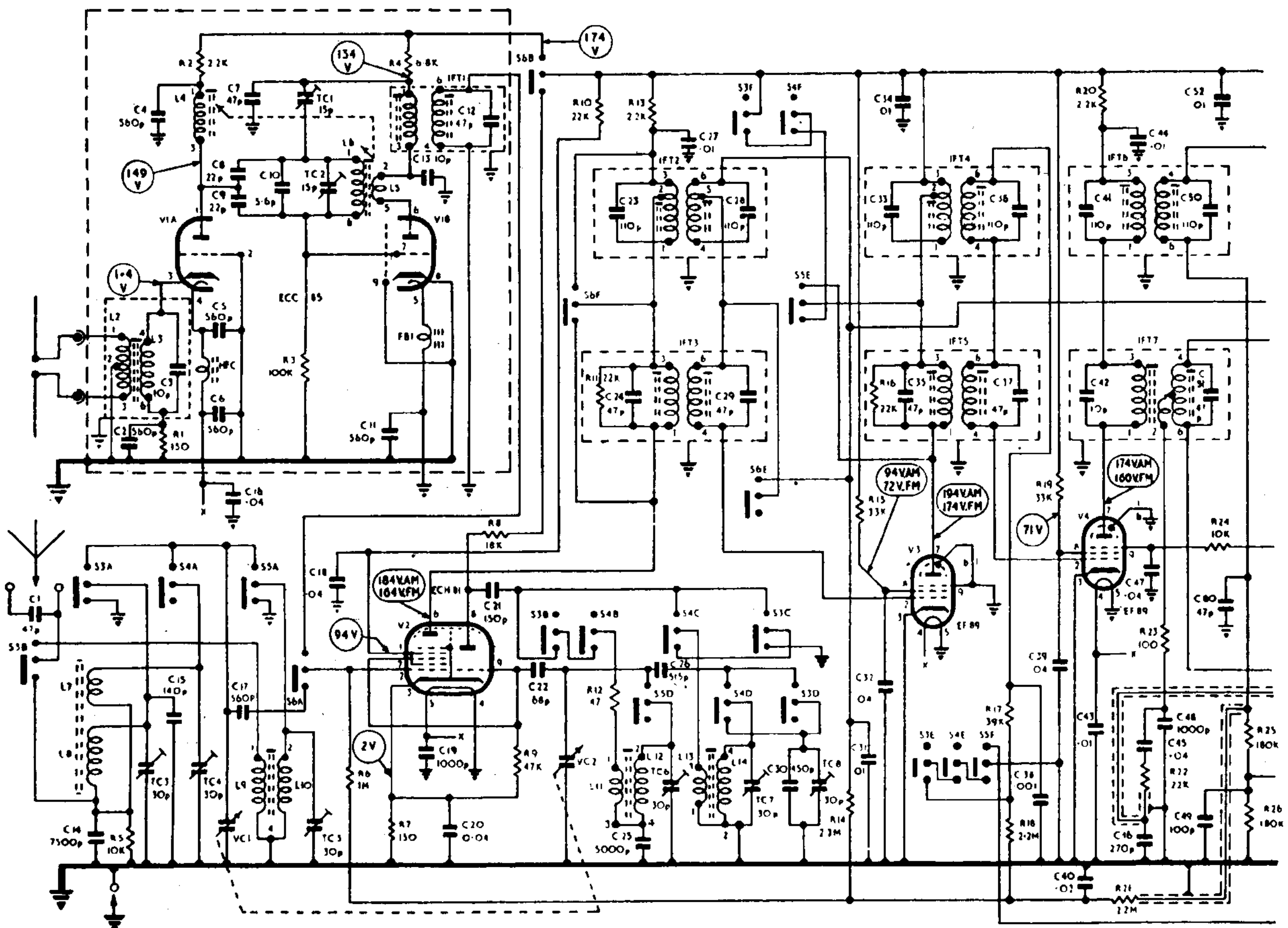
**General Description:** Ten-valve (including rectifier and tuning indicator), four-waveband, A.M./F.M. stereo auto-radiogram with two matched 10-in. circular speakers and two tweeter units.

**Power Supply:** A.C. mains, 100-120 and 200-250 volts, 50 c/s. (40- and 60-c/s. drive pulleys available), 105 watts (radio) 115 watts (gramophone).

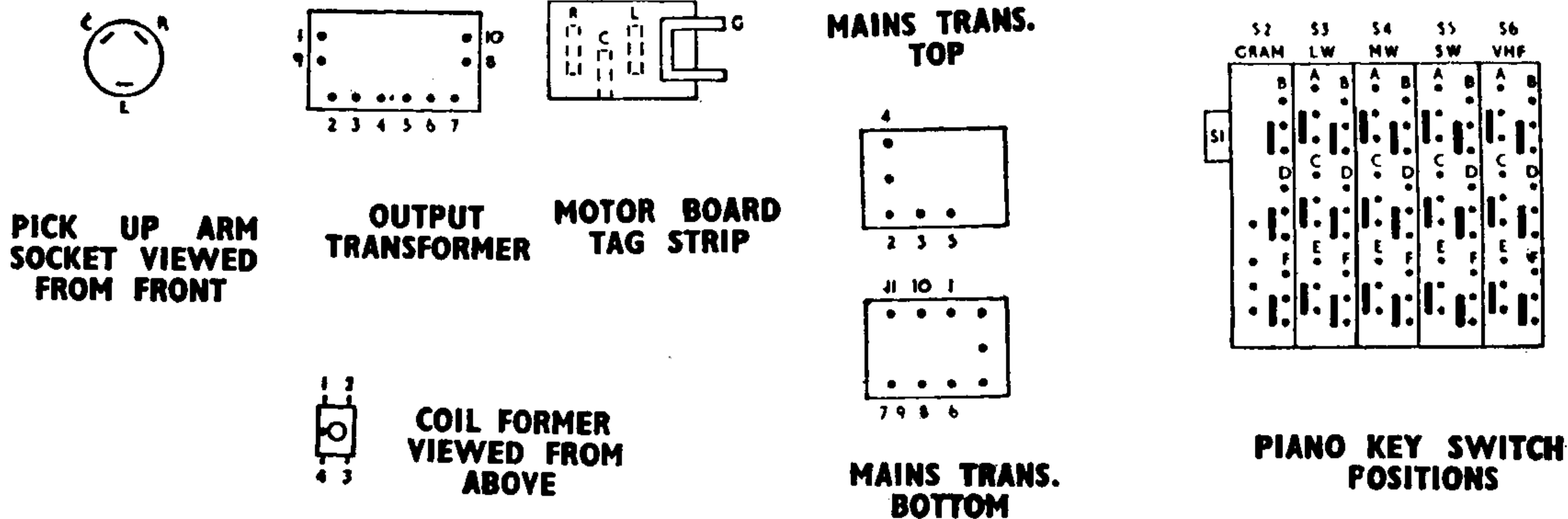
**Wavebands:** L.W. 1050-1935 m.; M.W. 187-560 m.; S.W. 16-50 m.; V.H.F. 87.5-100 Mc/s.

**Valves:** (V1) ECC85; (V2) ECH81; (V3) EF89; (V4) EF89; (V5) EM81; (V6) EABC80; (V7) EABC80; (V8) EL84; (V9) EL84; (V10) EZ81. Typical valve voltages, shown on circuit diagram, were measured with Avo Model 8 (20,000 ohms/volt) on 1000-volt and 10-volt ranges.

**Notes:** LP1, 2, 3, pilot lamps, 6.5 volts, 0.3 amp.; LP4 110-volt, 15-watt bayonet cap. Some models were supplied with Celestion Z10Z0 3494 (LS3) and 3516 (LS4) loudspeakers. Should replacement types S10LZ



CIRCUIT AND COMPONENT CONNECTION DIAGRAMS



4421 and 4420 be fitted subsequently, connections to the special coil *must* be reversed. Garrard RC121 Mk. II record unit.

**Component Ratings and Tolerances:** R41 (6 watts), R42 (4 watts), R43 (4 watts) and R36-7, R41-3, R48, R49, R52 (1/2 watt), R53 (1/2 watt), R59 (4 watts) are 5 per cent. RV5, 6 (lin.) are 2 watts RV1, 2, 3, 4, 7, 8 are log. C15, C26, C30 are 1 per cent. C8, C9, C23, C25, C28, C33, C36, C41, C50 are 2 per cent. RV1-2, RV3-4, RV7-8 log. RV5-6 lin.

