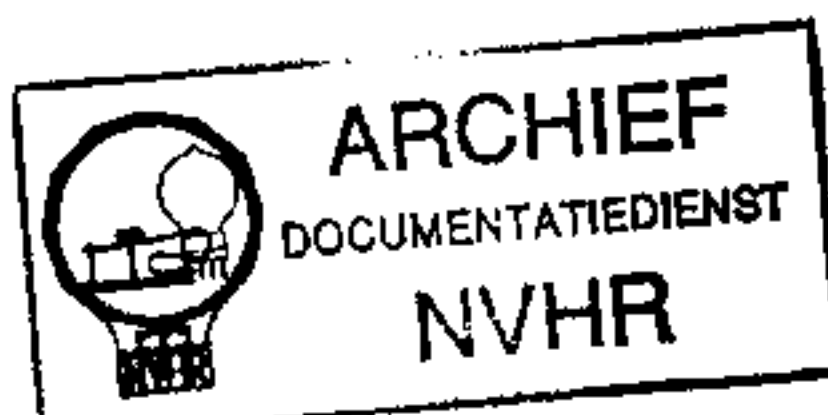


**BUSH****Model SRG80**

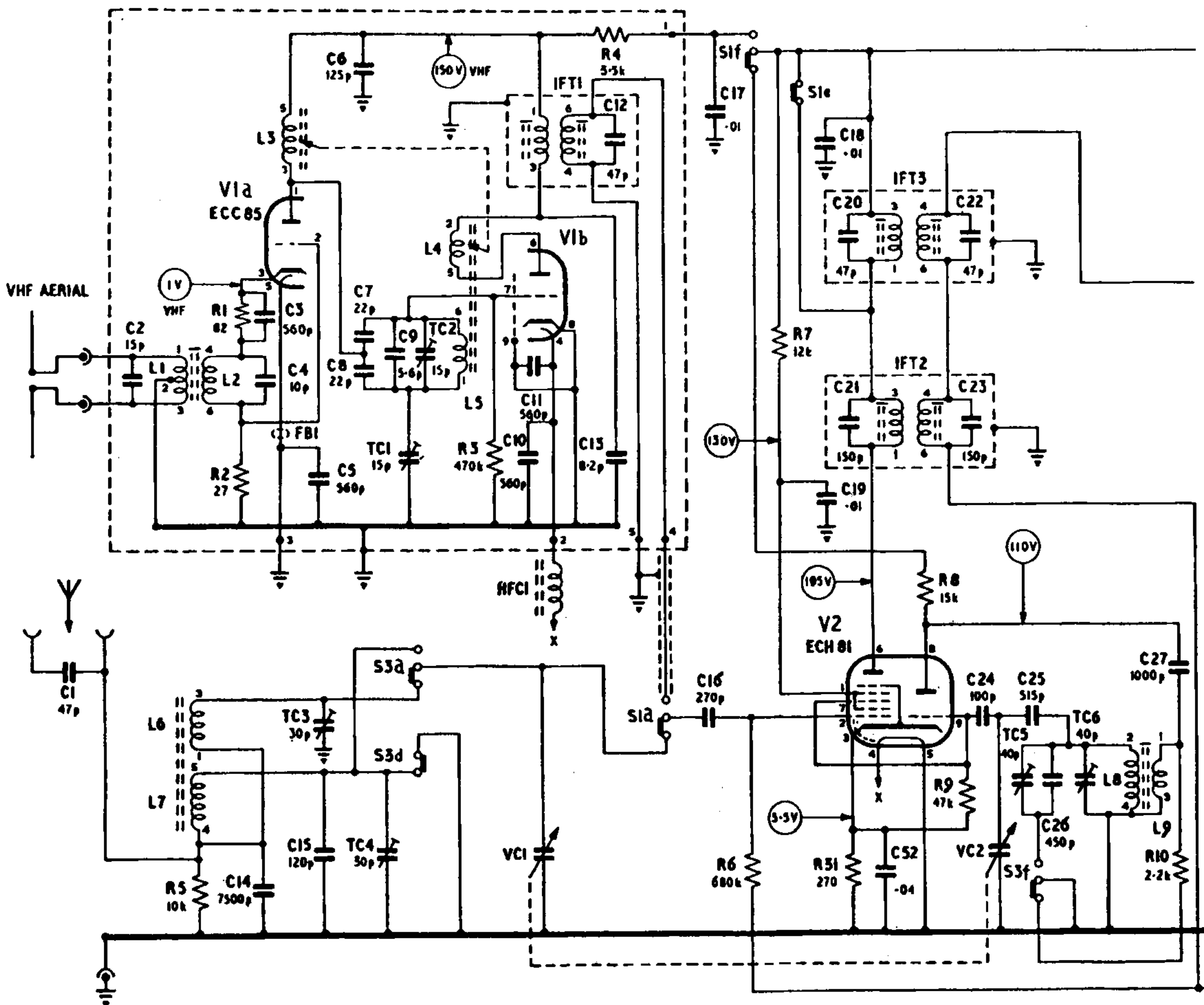
**General Description:** Six-valve (including rectifier), three-waveband, A.M./F.M. auto-radiogram. Stereo facilities for use with external amplifier.

**Power Supply:** A.C. mains, 200–250 volts, 50 c/s. (40- and 60- c/s. drive pulleys available), consumption radio 45 watts, gramophone 55 watts.

**Wavebands:** M.W. 187–560 m.; L.W. 1050–1935 m.; V.H.F. 87.5–100 Mc/s.

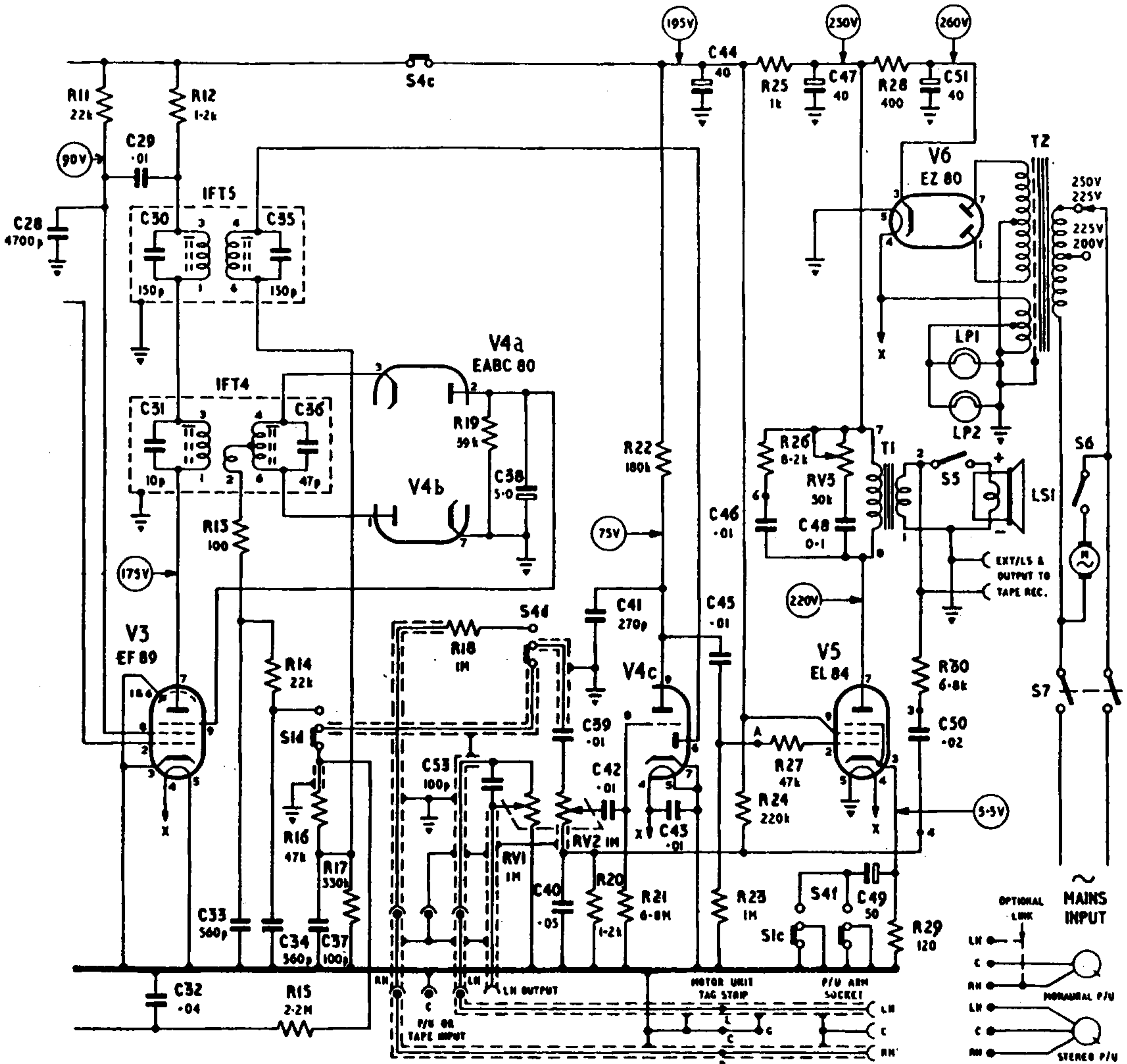
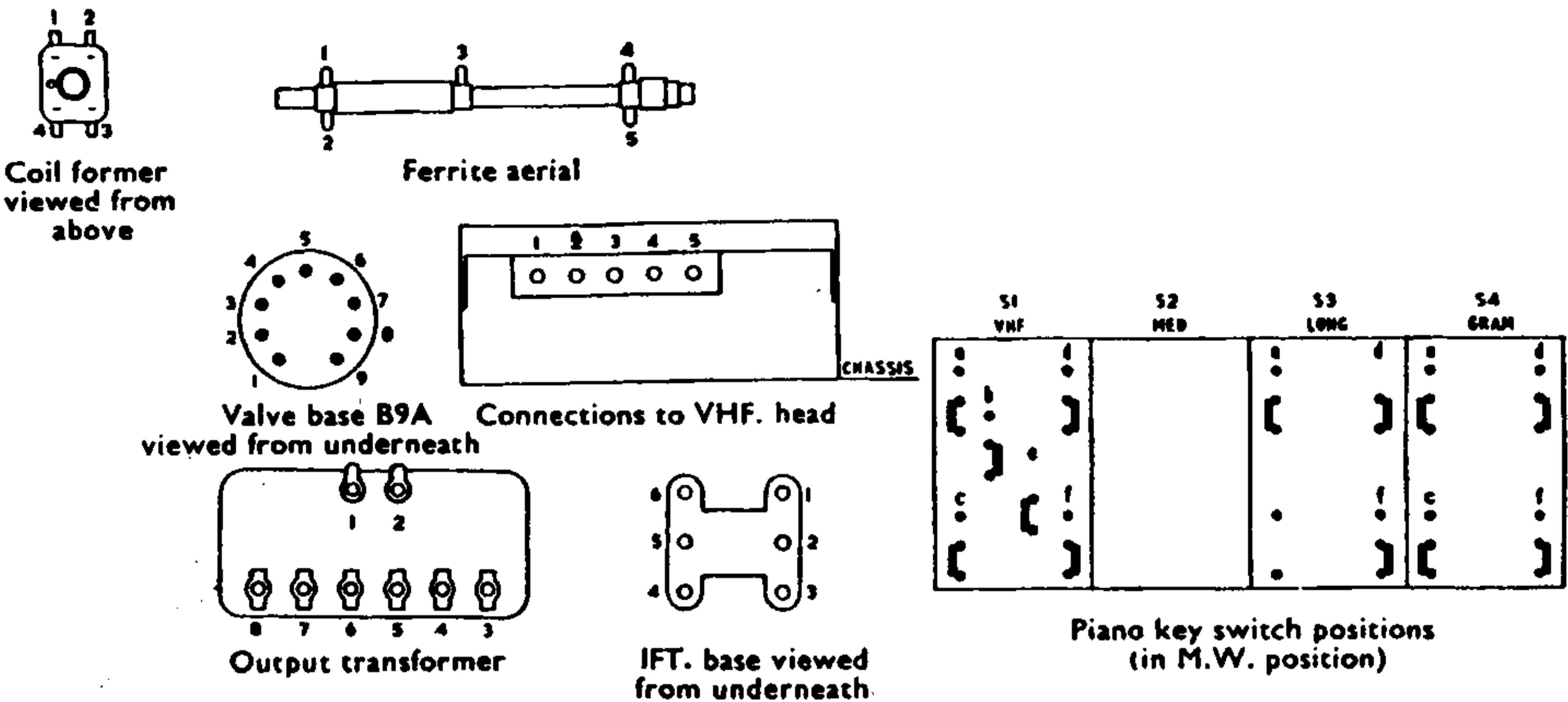
**Valves:** (V<sub>1</sub>) ECC85; (V<sub>2</sub>) ECH81; (V<sub>3</sub>) EF89; (V<sub>4</sub>) EABC80; (V<sub>5</sub>) EL84; (V<sub>6</sub>) EZ80. Typical voltages shown on circuit diagram measured with Avo Model 8 (20,000 ohms/volt) on 1000-volt or 10-volt ranges.

**Notes:** I.F. A.M. 470 kc/s., F.M. 10.7 Mc/s. Garrard type RC121 Mk2 four-speed record unit with GC8 plug-in dual-stylus pick-up for monaural records. For stereo, type GCS10 pick-up (MPM3 moulding) is recommended.



CIRCUIT AND COMPONENT CONNECTION DIAGRAMS—

Low impedance output sockets are provided for use with tape recorder. A potential applied to the speech coil as indicated on the circuit diagram will cause the cone to move outwards. A positive potential applied to point "A" will produce the polarity indicated.



# BUSH RADIO

## SUPPLEMENTARY SERVICE INFORMATION

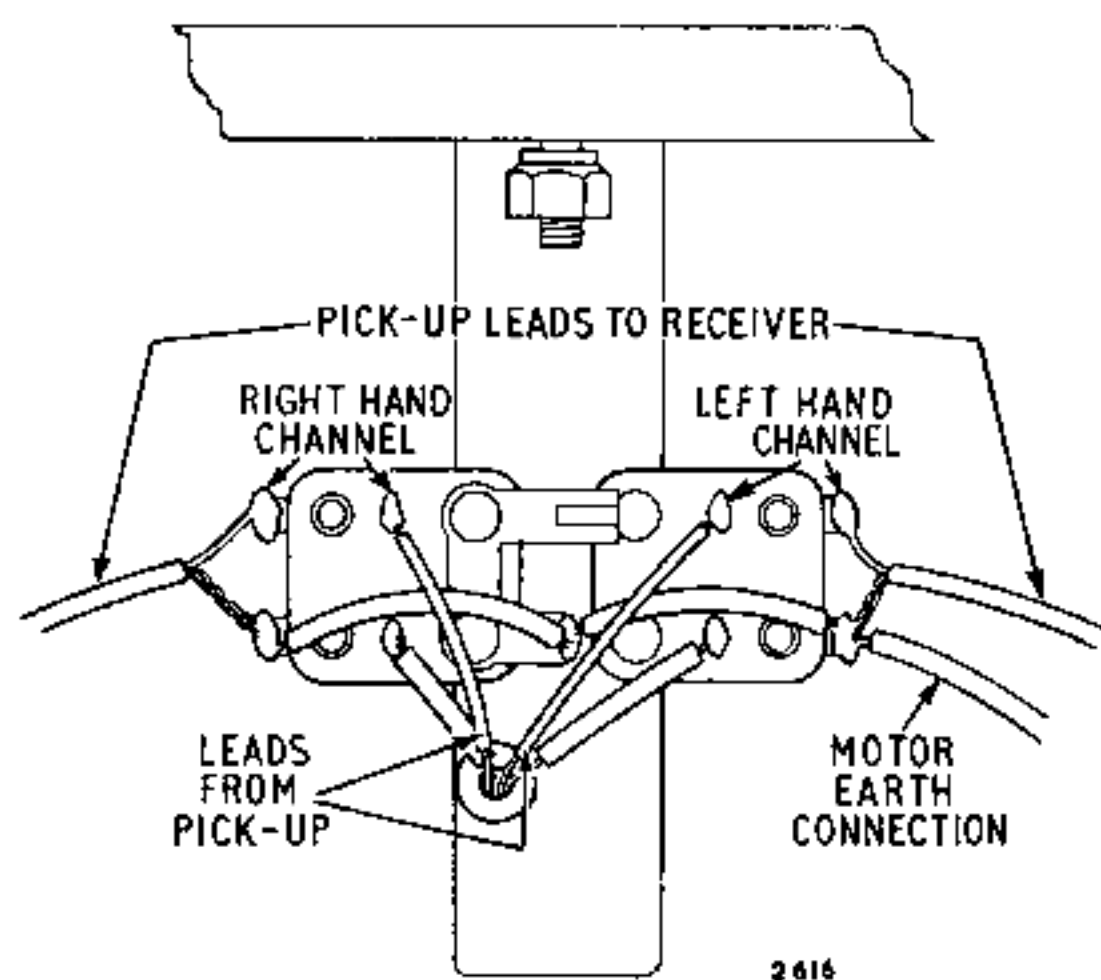
### MODELS SRG.80, 81, 82, 83, 85, 86 and SRP.31 and 32

#### REMOVAL AND REPLACEMENT OF RECORD CHANGER MODEL 210

The following notes have been prepared to assist engineers when servicing the above models which may be fitted with a Garrard record changer Model 210. The Model 210 record changer will play automatically up to 8 records in number. 12 in., 10 in., and smaller records of the same speed and groove width may be played in the same batch provided the discs smaller than 10 in., are placed at the top of the stack. The 10 in., and 12 in., discs may be mixed in any order. The changer may be stopped and started without rejecting the record being played, and independent controls are fitted for manual and automatic operation.

#### PROCEDURE FOR ALL MODELS EXCEPT SRP.31 AND SRP.32

- 1 Lock the pick-up arm to its rest.
- 2 Remove the right-hand portion of the cabinet back (entire back Models SRG.81, 82).
- 3 Unsolder the pick-up leads from the terminal tags (see Fig. 1).
- 4 Remove the cover of the motor terminal block and disconnect the mains supply lead.
- 5 Remove the three screws which secure the baseplate to the suspension springs and lift out the changer unit.
- 6 For replacement, reverse the procedure.



#### PROCEDURE FOR SRP.31 AND SRP.32

The above procedure applies, except that operation 2 should read:—

- 2 To lift the turntable unit, unscrew the four Phillips screws holding the wooden baseboard to the cabinet.

This information should be used in conjunction with the appropriate service information for individual models. Further service and maintenance notes may be found in the Garrard instruction leaflet supplied with each record changer.

#### SPARES AND SERVICE

When ordering replacement components dealers are requested to give the following information.

- 1 Model number and serial number of the receiver.
- 2 Description and part number of component(s) and quantity required.

**BUSH RADIO LIMITED**  
**LONDON**

*Issued by the Technical Publications Department of BUSH RADIO LTD.*