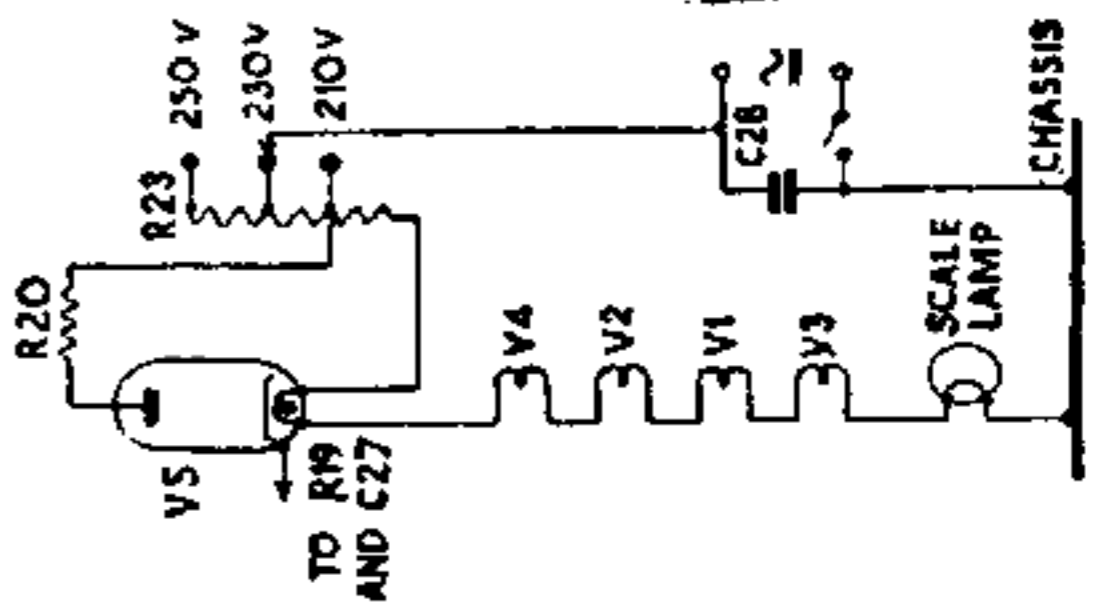


CIRCUIT DIAGRAM—BUSH MODEL SUG.91

- Capacitors.**
- |     |         |
|-----|---------|
| C1  | 0.005   |
| C2  | 50 pF.  |
| C3  | 800 pF. |
| C4  | 0.005   |
| C5  | 0.05    |
| C6  | 30 pF.  |
| C7  | 0.05    |
| C8  | 0.05    |
| C9  | 110 pF. |
| C10 | 110 pF. |
| C11 | 50 pF.  |
| C12 | 390 pF. |
| C13 | 556 pF. |
| C14 | 0.05    |
| C15 | 0.05    |
| C16 | 0.05    |
| C17 | 110 pF. |
| C18 | 110 pF. |
| C19 | 50 pF.  |
| C20 | 100 pF. |
| C21 | 0.01    |
| C22 | 50      |
| C23 | 0.001   |
| C24 | 0.1     |
| C25 | 16      |
| C26 | 0.01    |
| C27 | 32      |
| C28 | 0.1     |
| C29 | 180 pF. |
| C30 | 2       |
| C31 | 0.02    |
| C32 | 0.001   |
- Resistors.**
- |     |               |
|-----|---------------|
| R1  | 15k           |
| R2  | 100           |
| R3  | 1M            |
| R4  | 33k           |
| R5  | 2.2M          |
| R6  | 220           |
| R7  | 47k           |
| R8  | 10k           |
| R9  | 47k           |
| R10 | 47k           |
| R11 | 100k          |
| R12 | 68k           |
| R13 | 2.2M          |
| R14 | 1000          |
| R15 | 1M            |
| R16 | 470k          |
| R17 | 47k           |
| R18 | 150           |
| R19 | 3.3k          |
| R20 | 150           |
| R21 | 4700          |
| R22 | 10k           |
| R23 | 600 + 100     |
| VR1 | +100 (DUG.91) |
| VR2 | 50k           |
- Valves.**
- |    |       |
|----|-------|
| V1 | CCH35 |
| V2 | EF39  |
| V3 | EBC33 |
| V4 | CL33  |
| V5 | CY31  |
- I.F. 465 kc/s.
- Variable Capacitors.**
- |       |             |
|-------|-------------|
| VC1   | 2 x 533 pF. |
| VC2   | Ganged      |
| TC1-6 | 3-40 pF.    |

MAINS INPUT  
CIRCUIT MODEL  
DUG.91



CONNECTIONS TO CHASSIS INDICATED THUS