

PHOTOFACT® Folder

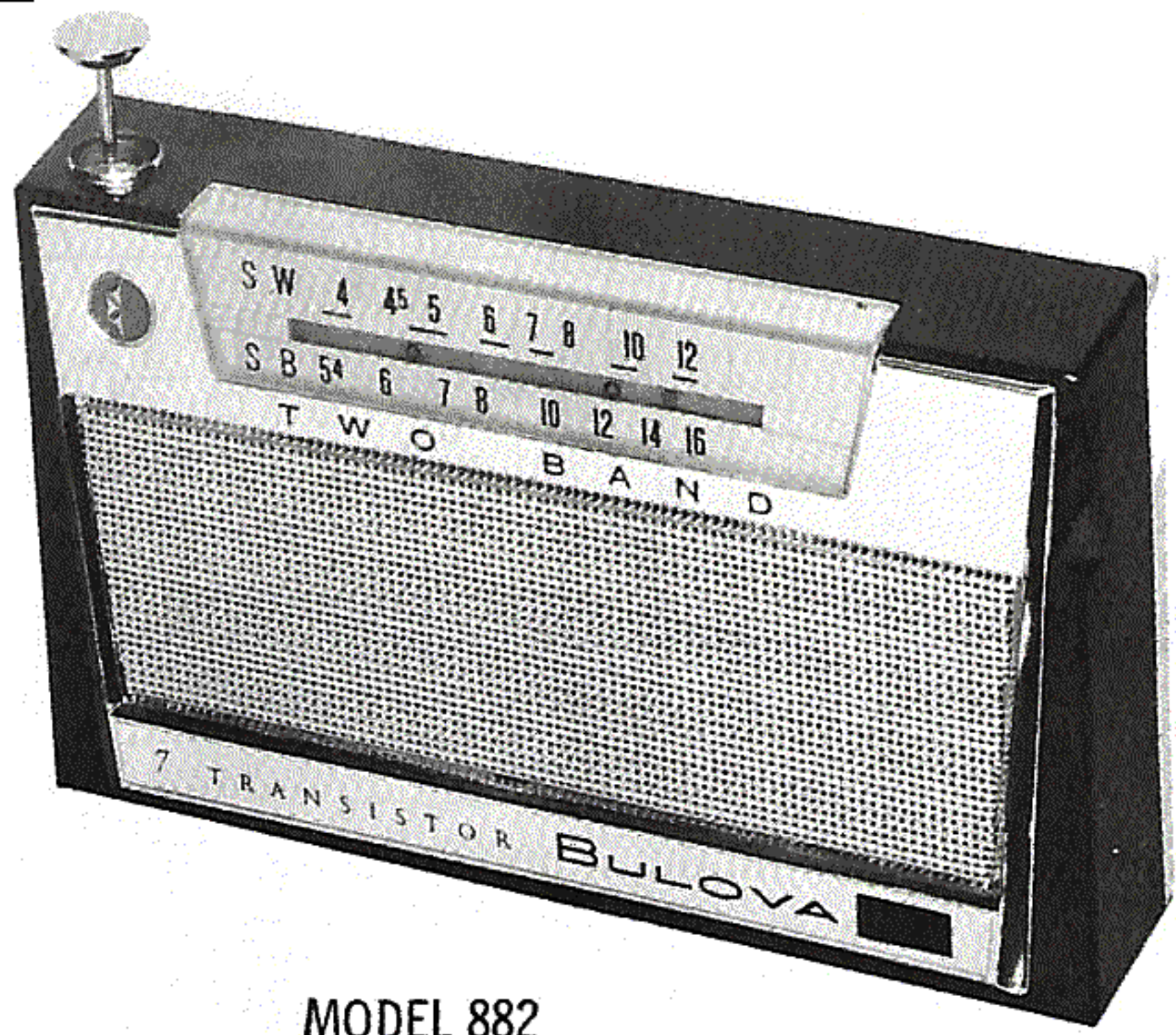
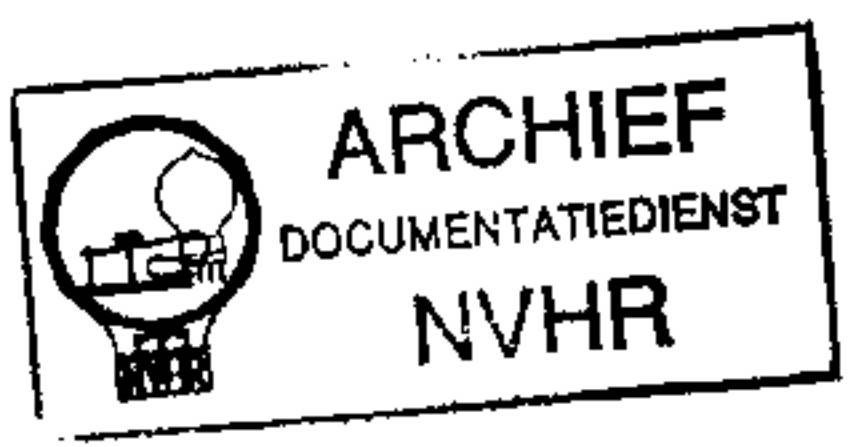
with CIRCUTRACE®

**BULOVA MODELS**  
880 Series, 882, 885, 886



Met dank aan Jef Bos

Ned. Ver. v. Historie v/d Radio



MODEL 882

TRADE NAME	Bulova Models 880 Series, 882, 885, 886		
SUPPLIER	Bulova Watch Co., Bulova Park, Flushing 70, N. Y.		
TYPE SET	Battery Operated Transistorized Portable BC-SW Receiver		
POWER SUPPLY	3 Volts DC	RATING	8MA @ 3 Volts DC (No Signal, Min. Volume) 16MA @ 3 Volts DC (Signal, Normal Volume)
TUNING RANGE - BROADCAST	540 - 1620KC	SHORT WAVE	4-12MC

## ALIGNMENT INSTRUCTIONS

### ALIGNMENT INSTRUCTIONS—READ CAREFULLY BEFORE ATTEMPTING ALIGNMENT

Use only enough generator output to provide a usable indication.

Suggested Alignment Tools:

- A1, A2, A3, A4, A6, A7, A9. . . . . GENERAL CEMENT #5009, 8195, 8274, 8275, 8728, 8729, 8987, 8988, 8989  
WALSCO #2515, 2531, 2532
- A5, A8. . . . . GENERAL CEMENT #8282, 8606, 8606-L, 9091  
WALSCO #2526, 2541, 2542, 2543, 2544

	SIGNAL GENERATOR COUPLING	SIGNAL GENERATOR FREQUENCY	RADIO DIAL SETTING	INDICATOR	ADJUST	REMARKS
1.	Fashion loop of several turns of wire and radiate signal into loop of receiver.	455KC (Unmod.)	(BC) Tuning gang fully open.	DC VTVM across volume control.	A1, A2, A3	Adjust for maximum deflection.
2.	"	1620KC	"	"	A4	"
3.	"	600KC	600KC	"	A5	Adjust for maximum deflection while rocking gang. Repeat step 2.
4.	"	1400KC	1400KC	"	A6	Adjust for maximum deflection.
5.	Fashion loop of several turns of wire and radiate signal into loop of receiver.	12MC	(SW) Tuning gang fully open.	"	A7	"
6.	"	6MC	6MC	"	A8	Adjust for maximum deflection while rocking gang.
7.	"	10MC	10MC	"	A9	Adjust for maximum deflection.

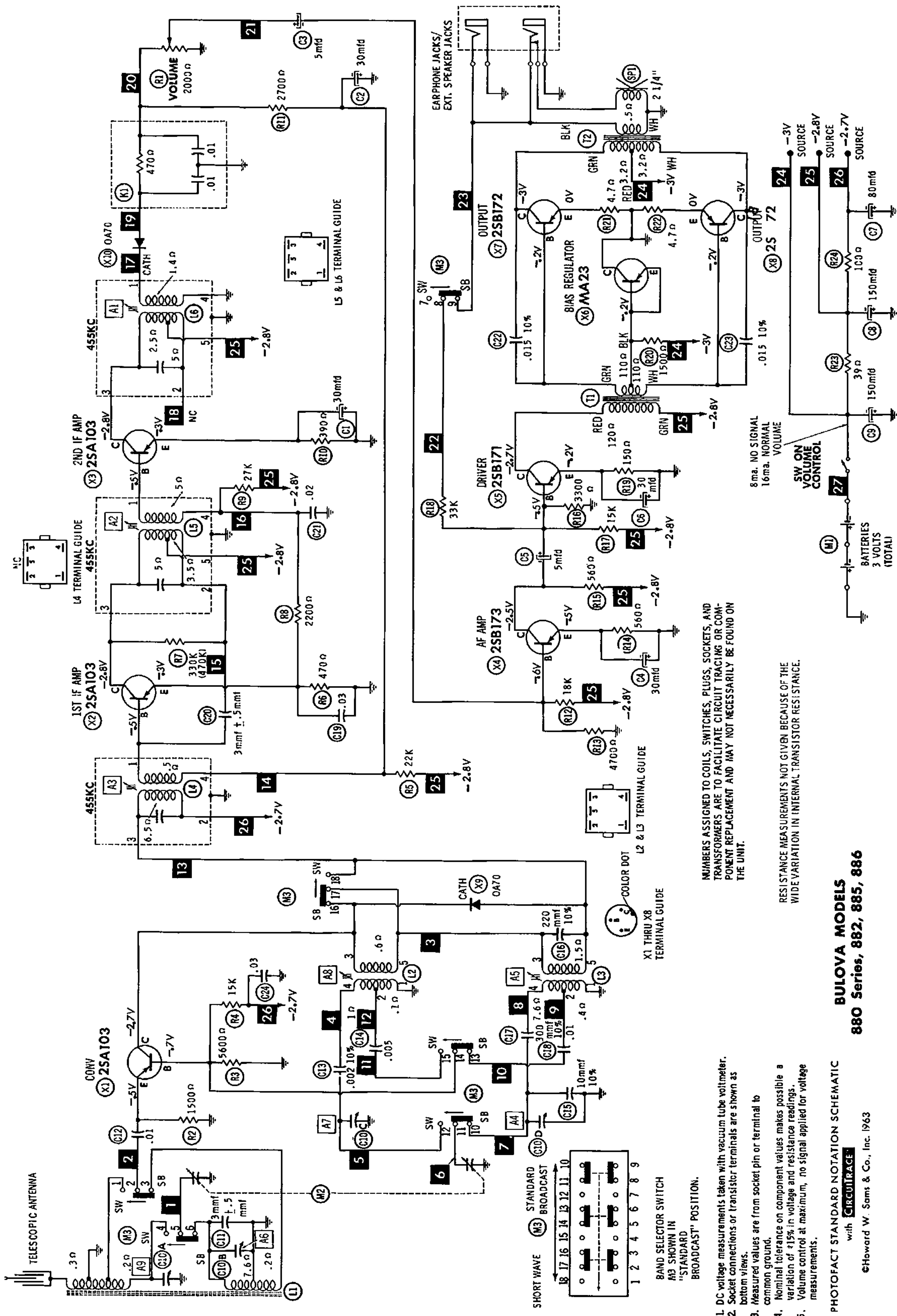
### HOWARD W. SAMS & CO., INC. Indianapolis 6, Indiana

The listing of any available replacement part herein does not constitute in any case a recommendation, warranty or guaranty by Howard W. Sams & Co., Inc., as to the quality and suitability of such replacement part. The numbers of these parts have been compiled from information furnished to Howard W. Sams & Co., Inc., by the manufacturers of the particular type of replacement LF690

part listed. Reproduction or use, without express permission, of editorial or pictorial content, in any manner, is prohibited. No patent liability is assumed with respect to the use of the information contained herein. ©1963 Howard W. Sams & Co., Inc., Indianapolis 6, Indiana.

Printed in U.S. of America





NUMBERS ASSIGNED TO COILS, SWITCHES, PLUGS, SOCKETS, AND TRANSFORMERS ARE TO FACILITATE CIRCUIT TRACING OR COMPONENT REPLACEMENT AND MAY NOT NECESSARILY BE FOUND ON THE UNIT.

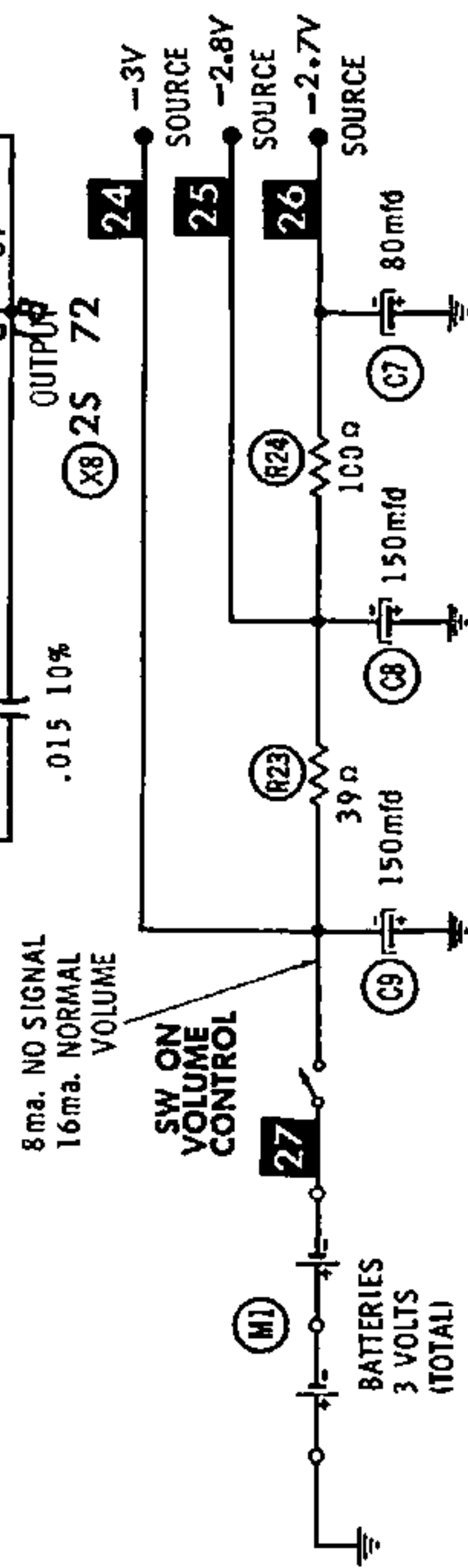
RESISTANCE MEASUREMENTS NOT GIVEN BECAUSE OF THE WIDE VARIATION IN INTERNAL TRANSISTOR RESISTANCE.

1. DC voltage measurements taken with vacuum tube voltmeter.
2. Socket connections or transistor terminals are shown as bottom views.
3. Measured values are from socket pin or terminal to common ground.
4. Nominal tolerance on component values makes possible a variation of  $\pm 15\%$  in voltage and resistance readings.
5. Volume control at maximum, no signal applied for voltage measurements.

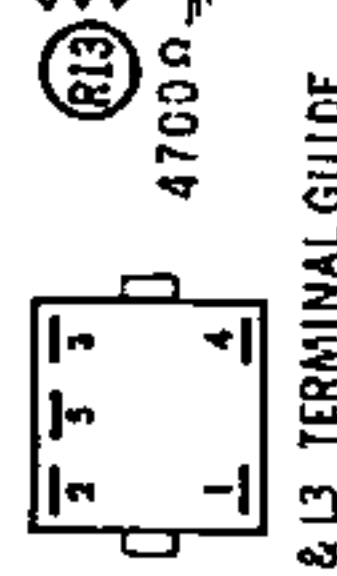
PHOTOFACT STANDARD NOTATION SCHEMATIC with **CIRCUITRACE**

### BULOVA MODELS 880 Series, 882, 885, 886

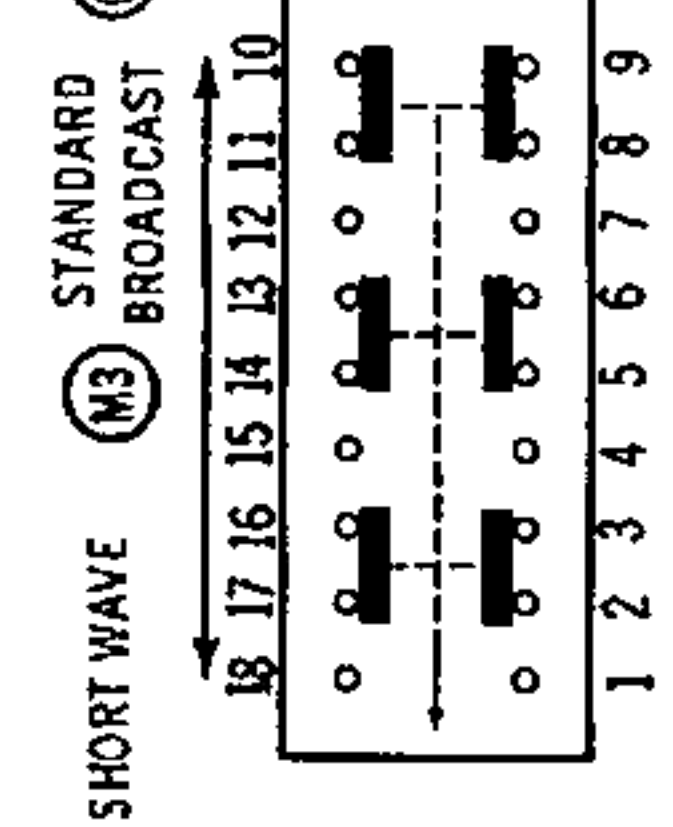
8ma. NO SIGNAL  
16ma. NORMAL VOLUME



X1 THRU X8  
TERMINAL GUIDE



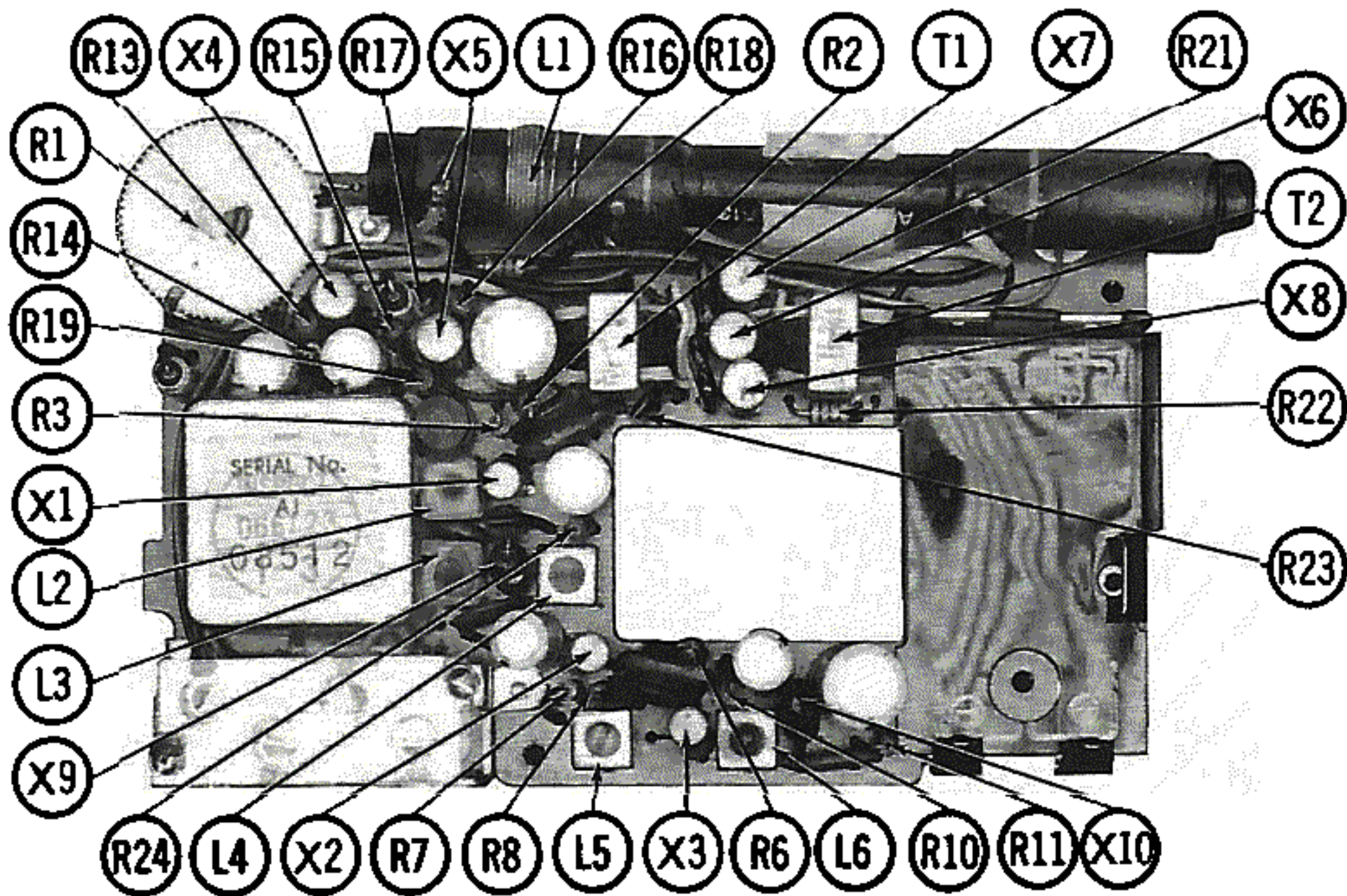
L2 & L3  
TERMINAL GUIDE



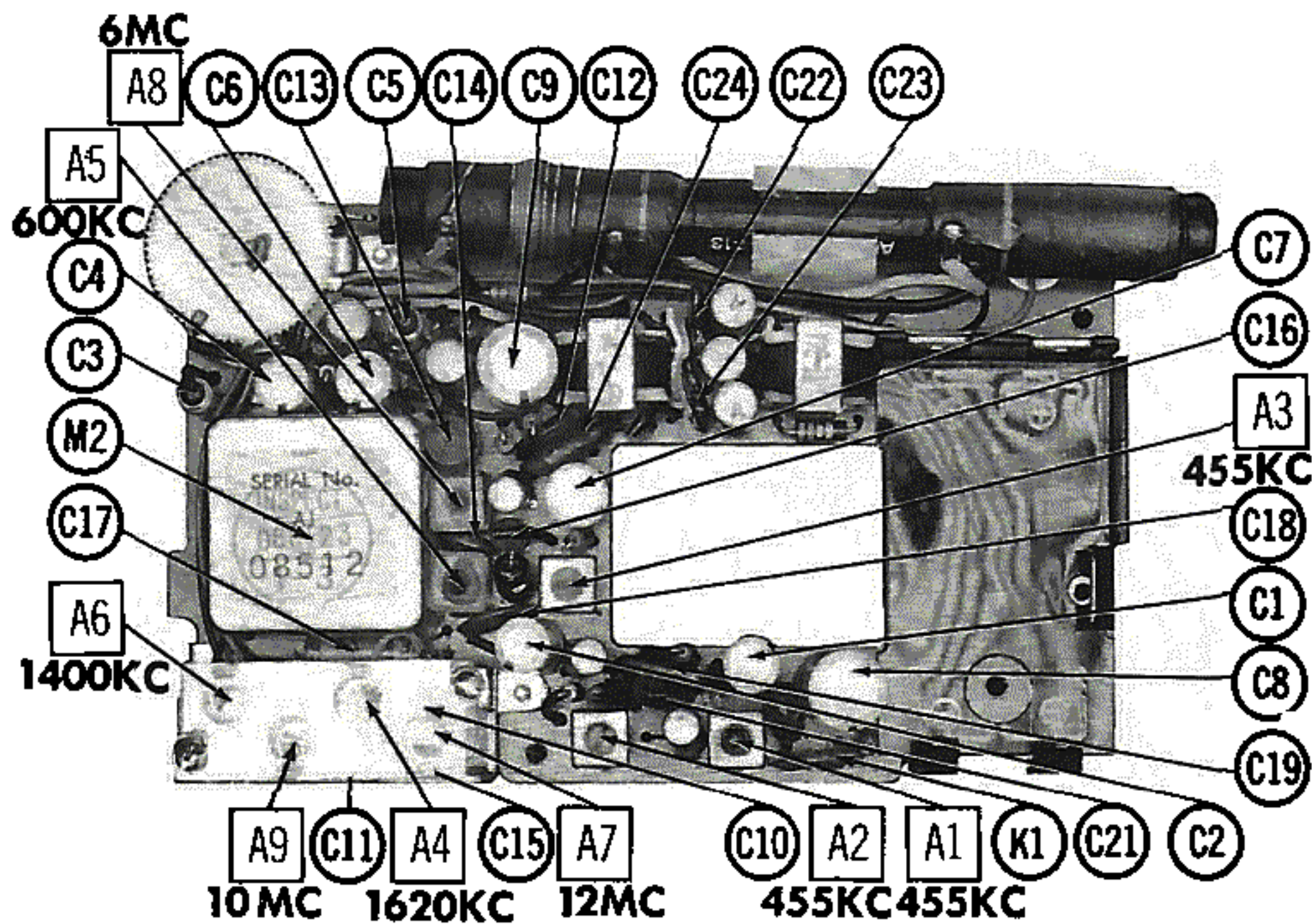
SHORT WAVE (M3) STANDARD BROADCAST  
BAND SELECTOR SWITCH  
M3 SHOWN IN "STANDARD BROADCAST" POSITION.







CHASSIS TOP VIEW - RESISTOR, INDUCTOR & TRANSISTOR IDENT.



CHASSIS TOP VIEW - ALIGNMENT, CAPACITOR & MISC. IDENT.



## TRANSISTORS

ITEM No.	ORIG. TYPE	USE	REPLACEMENT DATA			NOTES
			DELCO PART No.	GENERAL ELECTRIC PART No.	RCA PART No.	
X1	2SA103	Converter	DS25	GE-1		PNP
X2	2SA103	1st IF Amplifier	DS25	GE-1		PNP
X3	2SA103	2nd IF Amplifier	DS25	GE-1		PNP
X4	2SB173	AF Amplifier	DS26	GE-2	2N406	PNP
X5	2SB171	Driver	DS26	GE-2	2N408	PNP
X6	MA23	Bias Regulator		GE-8	2N647	NPN (Diode Connected)
X7	2SB172	Output	DS26	GE-2	2N270	PNP
X8	2SB172	Output	DS26	GE-2	2N270	PNP

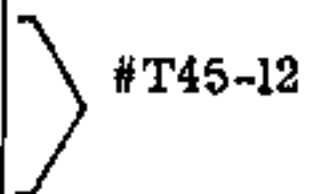
## POWER RECTIFIERS &amp; SIGNAL DIODES

ITEM No.	CURRENT RATING (Measured)	ORIGINAL Part or Type No.	RECTIFIERS		DIODES	NOTES
			RCA PART No.	SARKES TARZIAN PART No.		
X9		T45-32				Overload (OA70) Detector (OA70)
X10		T45-31				

## ELECTROLYTIC CAPACITORS

ITEM No.	RATING		BULOVA PART No.	REPLACEMENT DATA					
	CAP.	VOLT.		AEROVOX PART No.	CORNELL-DUBILIER PART No.	GENERAL ELECTRIC PART No.	MALLORY PART No.	PYRAMID PART No.	SPRAGUE PART No.
C1	30	3	T45-7	CRE212	NLW25-3				
C2	30	3	T45-7	CRE212	NLW25-3				
C3	5	3	T45-8	CRE204	NLW5-15	MT1-3	TT6X5		TE-1052.2
C4	30	3	T45-7	CRE212	NLW25-3				
C5	5	3	T45-8	CRE204	NLW5-15	MT1-3	TT6X5		TE-1052.2
C6	30	3	T45-7	CRE212	NLW25-3				
C7	80	3	T45-8						
C8	150	3	T45-5						
C9	150	3	T45-5						

## FIXED CAPACITORS

ITEM No.	RATING	REMARKS	REPLACEMENT DATA					
			AEROVOX PART No.	CENTRALAB PART No.	CORNELL-DUBILIER PART No.	ELMENCO PART No.	MALLORY PART No.	SPRAGUE PART No.
C10A B C D								

# DESCRIPTION

## FIXED CAPACITORS (cont)

ITEM No.	RATING	REMARKS	REPLACEMENT DATA					
			AEROVOX PART No.	CENTRALAB PART No.	CORNELL-DUBILIER PART No.	ELMENCO PART No.	MALLORY PART No.	SPRAGUE PART No.
C11	3 +.5mfd		CI-3	TCZ-3R3	C10V3C	CC TO-3R3	CNO-533	10TCC-V33
C12	.01		TTD-01	CK-103	H05S1		TA-110	TG-S10
C13	.002 10%		CI-2000	DD-202	L10D2	CCD-202	GP220	10TS-D20
C14	.005		DI-5000	DD-502	L10D5	CCD-502	GP250	TG-D50
C15	10 10%		DI-10	DD-100	L10Q1	CC TO-100	CNO-410	10TCC-Q10
C16	220 10%		CI-220	DD-221	L10T22	CCD-221	GP322	10TS-T22
C17	300 10%		CI-300	DD-301	L10T3	CCD-301	GP330	10TS-T30
C18	.01		TTD-01	CK-103	H05S1		TA-110	TG-S10
C19	.03		TTD-03	CK-303	H05S25			TG-S30
C20	3 +.5mfd		CI-3	TCZ-3R3	C10V3C	CC TO-3R3	CNO-533	10TCC-V33
C21	.02		TTD-02	CK-203	H05S2		TA-120	TG-S20
C22	.015 10%	#T45-14						
C23	.015 10%	#T45-14						
C24	.03		TTD-03	CK-303	H05S25			TG-S30

# Bulova Part Number.

## CONTROLS

All wattages 1/2 watt, or less, unless otherwise listed.

ITEM No.	USE	RESISTANCE	REPLACEMENT DATA				
			BULOVA PART No.	CENTRALAB PART No.	CLAROSTAT PART No.	CTS-IRC PART No.	MALLORY PART No.
R1	Volume & Switch	2000Ω	T45-43				

## RESISTORS

All wattages 1/2 watt, or less, unless otherwise listed.

ITEM No.	RATING	REPLACEMENT DATA			ITEM No.	RATING	REPLACEMENT DATA		
		IRC PART No.	WORKMAN PART No.	REMARKS			IRC PART No.	WORKMAN PART No.	REMARKS
R2	1500Ω				R14	560Ω			
R3	5600Ω				R15	560Ω			
R4	15K				R16	3300Ω			
R5	22K				R17	15K			
R6	470Ω				R18	33K			
R7	330K			(470K) †	R19	150Ω			
R8	2200Ω				R20	1500Ω			
R9	27K				R21	4.7Ω			
R10	390Ω				R22	4.7Ω			
R11	2700Ω				R23	39Ω			
R12	18K				R24	100Ω			
R13	4700Ω								

† Alternate Value.

# PARTS LIST AND DESC

## COILS (RF-IF)

ITEM No.	USE	REPLACEMENT DATA					NOTES
		BULOVA PART No.	Merit PART No.	Miller PART No.	Stancor PART No.	Workman PART No.	
L1	Loopstick	T45-1					
L2	SW Osc.	T45-20					
L3	SB Osc.	T45-19					
L4	1st IF	T45-21					
L5	2nd IF	T45-22					
L6	3rd IF	T45-23	BC-571				

## TRANSFORMER (DRIVER)

ITEM No.	TURNS RATIO		REPLACEMENT DATA					NOTES
	PRI.	SEC.	BULOVA PART No.	MERIT PART No.	STANCOR PART No.	THORDARSON PART No.	TRIAD PART No.	
T1	1	1	T45-24					

## TRANSFORMER (AUDIO OUTPUT)

ITEM No.	IMPEDANCE		REPLACEMENT DATA					NOTES
	PRI.	SEC.	BULOVA PART No.	Merit PART No.	Stancor PART No.	Thordarson PART No.	Triad PART No.	
T2	400Ω CT	6-8Ω	T45-25					

## SPEAKER

ITEM No.	TYPE			REPLACEMENT DATA		NOTES
	SIZE	FIELD	V. C. IMP.	BULOVA PART No.	QUAM PART No.	
SP1	2 1/4"	PM	6-8Ω	T45-2	22A06Z8	

## COMPONENT COMBINATIONS

ITEM No.	USE	DESCRIPTION	BULOVA PART No.	REPLACEMENT DATA
K1	Diode RF Filter	01mfd, .01mfd, 470Ω	T45-13	

## BATTERIES

ITEM No.	VOLTAGE	BULOVA PART No.	REPLACEMENT DATA			NOTES
			BURGESS	EVEREADY	MALLORY	
M1	1½V		930	1015	M-15R	2 Required

# DESCRIPTION (CONTINUED)

## MISCELLANEOUS

ITEM No.	PART NAME	BULOVA PART No.	NOTES
M2 M3	Tuning Cap. Switch Antenna	T45-17 T45-4 T45-37	2 Gang (PVC-2JA) Band Selector (2-Position Slide Type) Telescopic Whip

## CABINETS & CABINET PARTS

(When Ordering Cabinets & Cabinet Parts, Specify Model, Chassis & Color)

NAME	PART NO.	DESCRIPTION
Knob Knob Cabinet	T45-81 T45-80 T45-86	Tuning Volume

## WIRING DATA

General-use Unshielded Hook-up Wire .....	Use BELDEN No. 8530 (Solid 22AWG) 8524 (Stranded 22AWG) 8570 (Stranded 26AWG)	Available in 12 Colors
---	---	------------------------------

## DIAL CORD STRINGING

