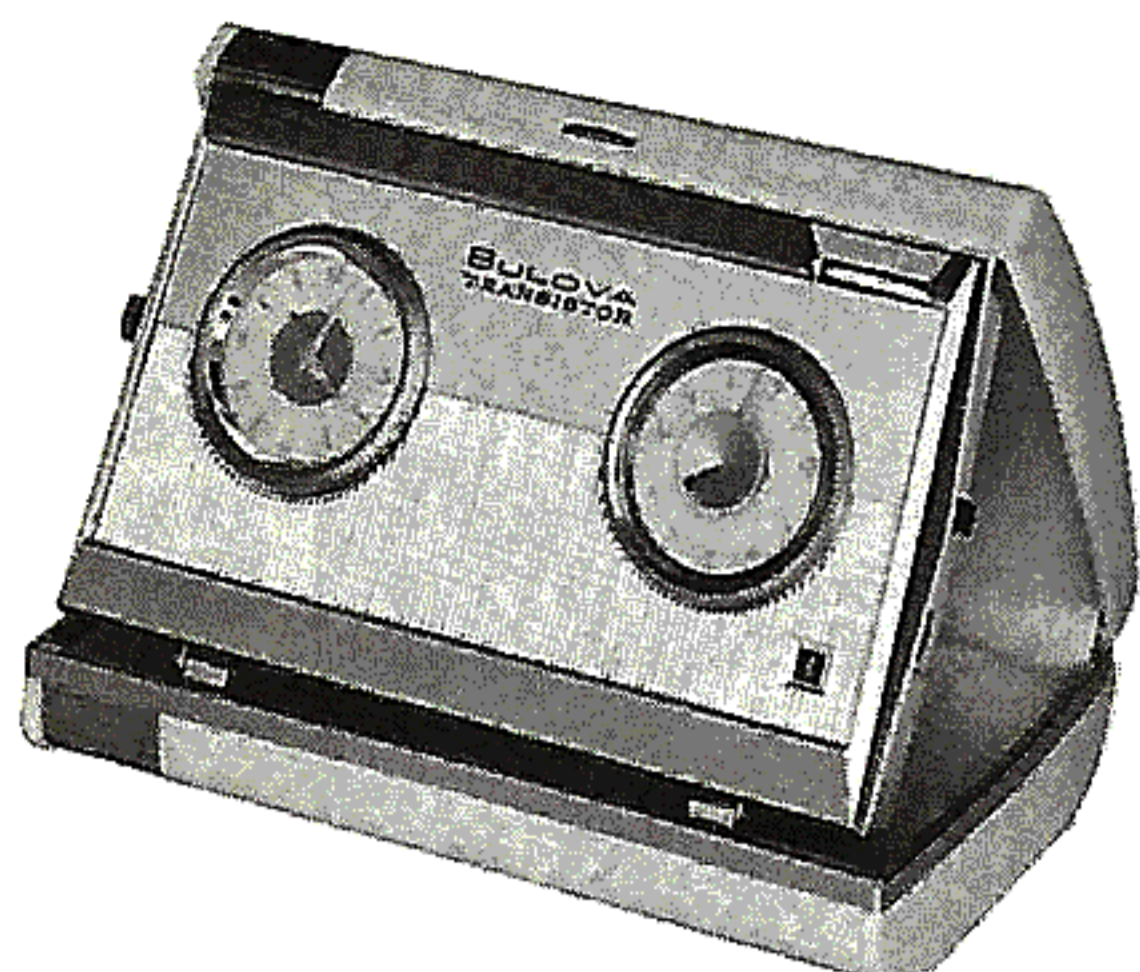




PHOTOFACT[®] with

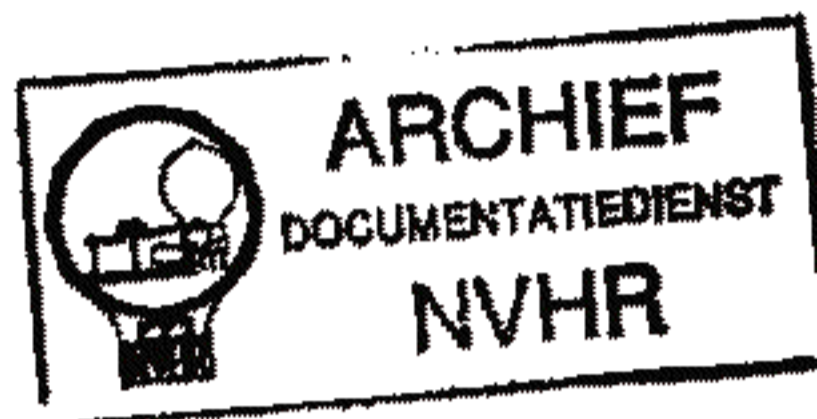
CIRCUITRACE[®]



Met dank aan Jef Bos

TRADE NAME: Bulova Models 842, 843, 846, 848
 SUPPLIER: Bulova Watch Co., Bulova Park, Flushing 70, N. Y.
 TYPE SET: 6 Transistor Clock Radio
 POWER SUPPLY: 4.2Volts DC
 RATING: 12ma @ 4.2VDC (No Signal)
 25ma @ 4.2VDC (Normal Signal)
 TUNING RANGE: BROADCAST 530-1650KC

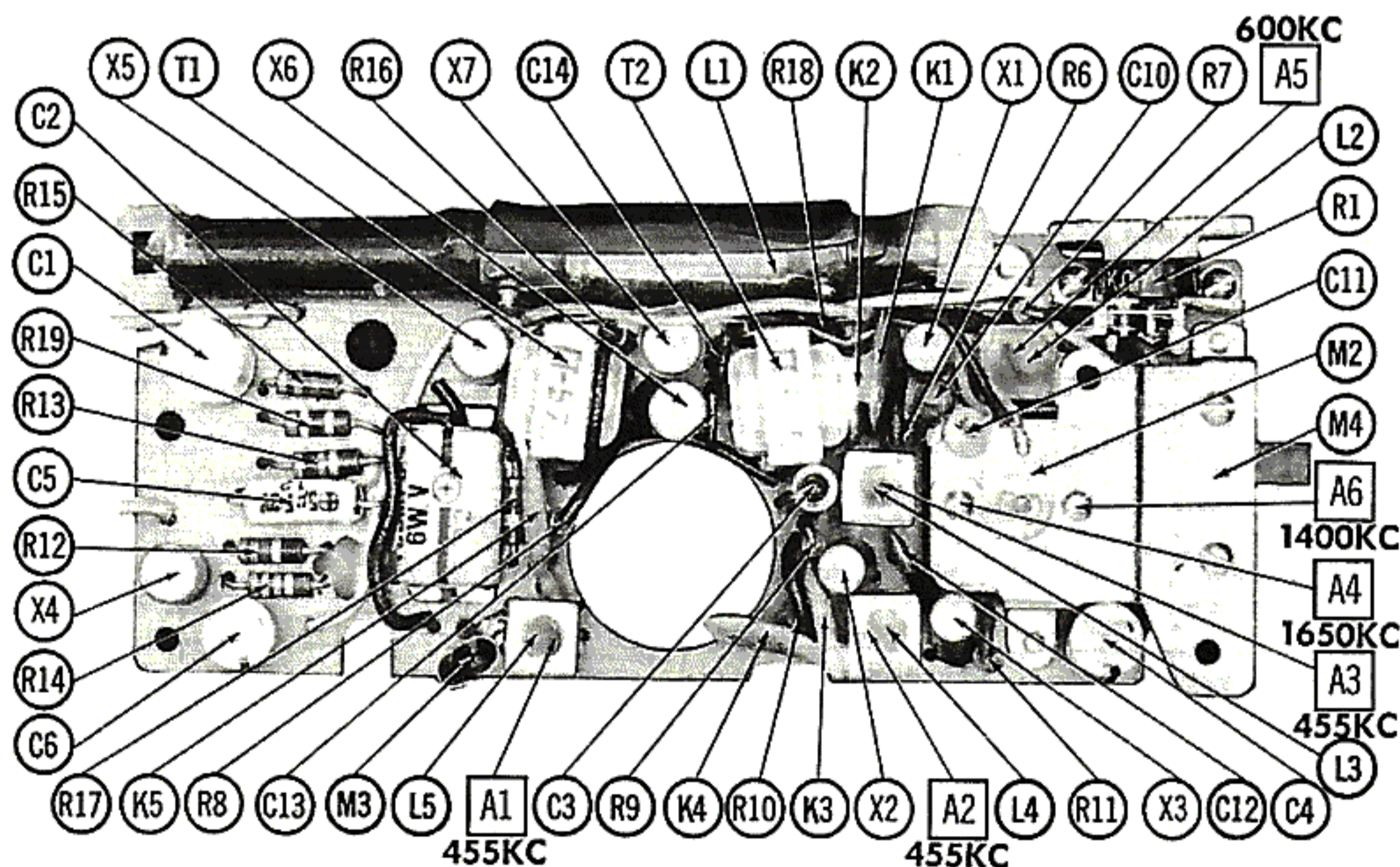
Ned. Ver. v. Historie v



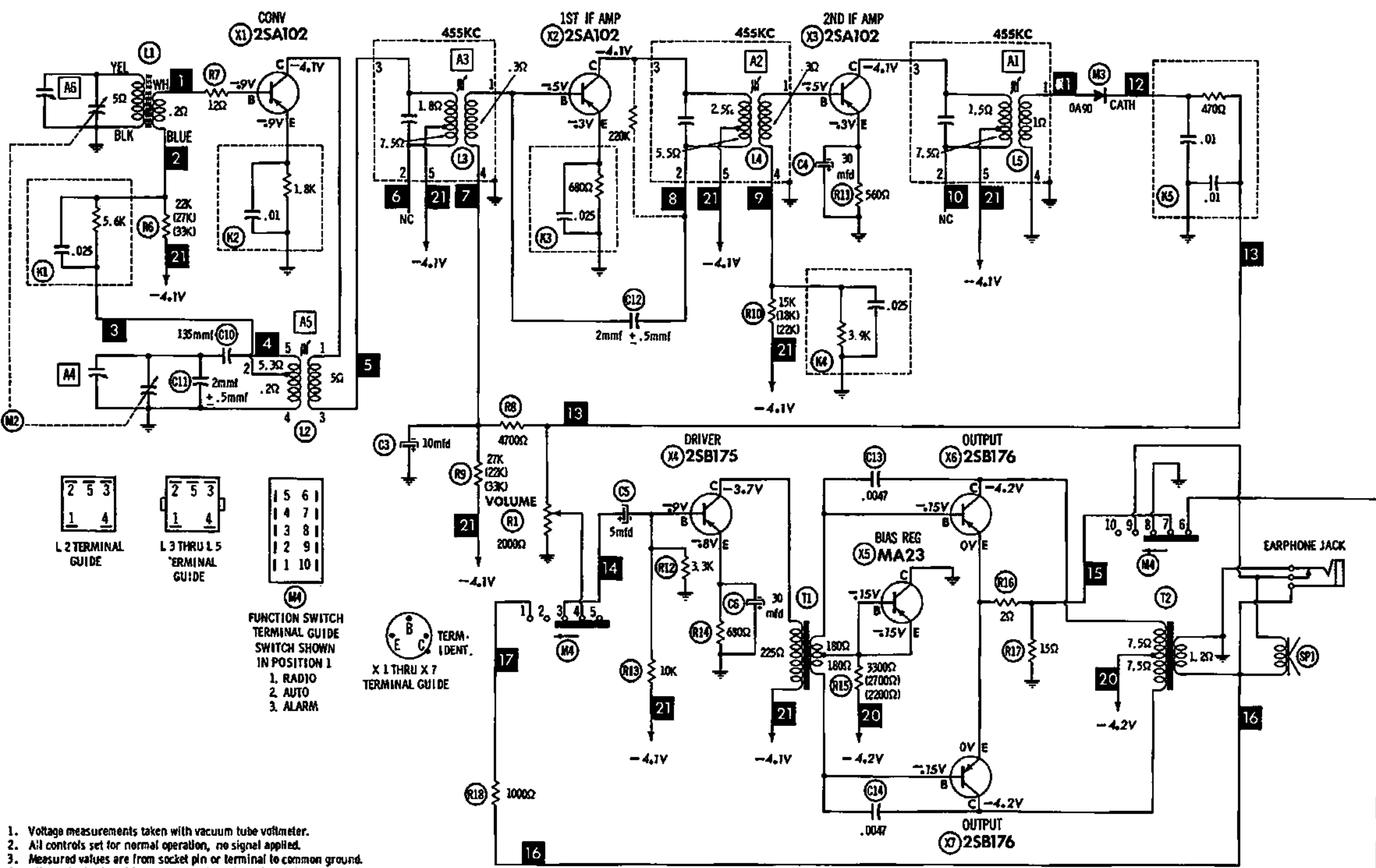
ALIGNMENT INSTRUCTIONS

Check for specified source voltage.
 Fashion loop of several turns of wire and connect generator across loop.
 Adjust output of generator to radiate only enough signal into receiver to obtain a suitable indication.
 Suggested Alignment Tools: A1, A2, A3, A5
 GENERAL CEMENT #5067, 8282, 8606
 WALSCO #2526, 2528
 A4, A6
 GENERAL CEMENT #5000, 5066, 8290
 WALSCO #2512, 2525, 2528

	SIGNAL GENERATOR FREQUENCY	RADIO DIAL SETTING	INDICATOR	ADJUST	REMARKS
1.	455KC (400% Mod.)	Tuning gang fully open.	Output Meter across voice coil.	A1, A2, A3	Adjust for maximum. Repeat as required.
2.	1650KC	"	"	A4	Adjust for maximum.
3.	600KC	Tune to Signal.	"	A5	Rock tuning gang and adjust for maximum. Repeat steps 2 and 3.
4.	1400KC	"	"	A6	Adjust for maximum.



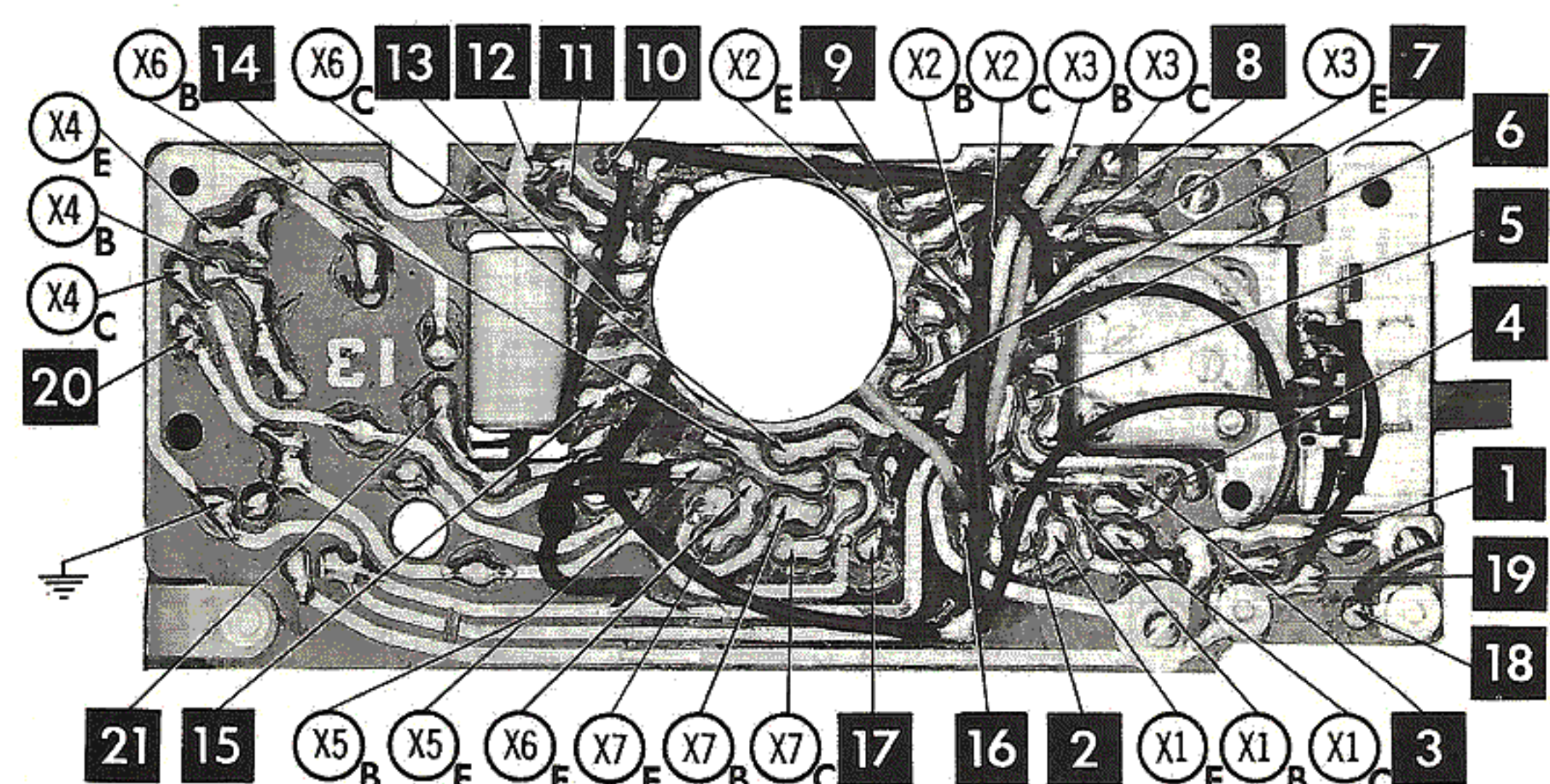
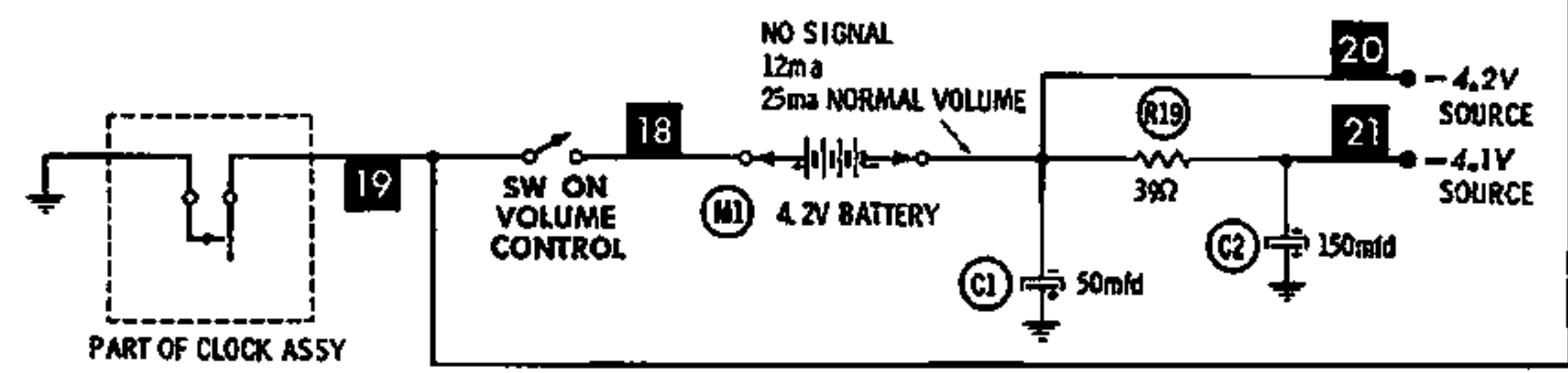
HOWARD W. SAMS & CO., INC. Indianapolis 6, Indiana



1. Voltage measurements taken with vacuum tube voltmeter.
2. All controls set for normal operation, no signal applied.
3. Measured values are from socket pin or terminal to common ground.
4. All terminals viewed from bottom unless otherwise designated.
5. Numbers assigned to terminals may not be found on the unit.
6. Supply voltage maintained at rated value for voltage readings.
7. Resistance measurements not given because of the wide variation in internal resistance of transistor.

A PHOTOFAC STANDARD NOTATION SCHEMATIC
 with CIRCUITRACE
 ©Howard W. Sams & Co., Inc. 1963

BULOVA MODELS 842, 843, 846, 848



PARTS LIST AND

TRANSISTORS

ITEM No.	ORIG. TYPE	USE	REPLACEMENT DATA			NOTES
			DELCO PART No.	GENERAL ELECTRIC PART No.	RCA PART No.	
X1	2SA102	Conv.	DS-25	GE-9		PNP
X2	2SA102	1st IF Amp.	DS-25	GE-9		PNP
X3	2SA102	2nd IF Amp.	DS-25	GE-9		PNP
X4	2SB175	Driver			2N406	PNP
X5	MA23	Bias Regulator				PNP
X6	2SB176	Output			2N408	PNP
X7	2SB176	Output			2N408	PNP

ELECTROLYTIC CAPACITORS

ITEM No.	RATING		REPLACEMENT DATA						
	CAP.	VOLT.	BULOVA PART No.	AEROVOX PART No.	CORNELL-DUBILIER PART No.	GENERAL ELECTRIC PART No.	GENERAL INSTRUMENT PART No.	MALLORY PART No.	SPRAGUE PART No.
C1	50	6	93-10						
C2	150	6	93-11	BCD6150	NLW50-6	MT1-21	MLV150-6	TT6X150	TE-1103
C3	10	3	93-8	CRE207A	NLW10-3				
C4	30	6	93-9						
C5	5	3	93-7	CRE204A	NLW5-15	MT1-3	MLV5-6	TT6X5	TL-1052.2
C6	30	6	93-9						

FIXED CAPACITORS

ITEM No.	RATING	REMARKS	REPLACEMENT DATA						
			AEROVOX PART No.	CENTRALAB PART No.	CORNELL-DUBILIER PART No.	ELMENCO PART No.	MALLORY PART No.	SPRAGUE PART No.	
C10	135								
C11	2mmf ±.5mmf		NPO-D12.2	DTZ-2R2	C10V22C	CCTO-2R2	CNO-522	10TCC-V22	
C12	2mmf ±.5mmf		NPO-D12.2	DTZ-2R2	C10V22C	CCTO-2R2	CNO-522	10TCC-V22	
C13	.0047 50V		TTD-005	CK-502	H1		TA-250	TG-D50	
C14	.0047 50V		TTD-005	CK-502	H1		TA-250	TG-D50	

CONTROLS

All wattages 1/2 watt, or less, unless otherwise listed.

ITEM No.	USE	RESISTANCE	REPLACEMENT DATA				
			BULOVA PART No.	CENTRALAB PART No.	CLAROSTAT PART No.	CTS-IRC PART No.	MALLORY PART No.
R1	Volume and Switch	2000Ω	93-6				

COILS (RF-IF)

ITEM No.	USE	REPLACEMENT DATA					NOTES
		BULOVA PART No.	MERIT PART No.	MILLER PART No.	STANCOR PART No.	WORKMAN PART No.	
L1	Loopstick	93-4					
L2	Osc.	93-30					
L3	1st IF	93-31	BC-589	2061	RTC-9262		
L4	2nd IF	93-32	BC-570	2062	RTC-9263		
L5	3rd IF	93-33	BC-571	2063	RTC-9264		

TRANSFORMER (AUDIO OUTPUT)

ITEM No.	IMPEDANCE		REPLACEMENT DATA					NOTES
	PRI.	SEC.	BULOVA PART No.	MERIT PART No.	STANCOR PART No.	THORDARSON PART No.	TRIAD PART No.	
T2	700Ω CT	6-8Ω	93-3					

DESCRIPTION

TRANSFORMER (DRIVER)

ITEM No.	TURNS RATIO		REPLACEMENT DATA					NOTES
			BULOVA PART No.	MERIT PART No.	STANCOR PART No.	THORDARSON PART No.	TRIAD PART No.	
	PRI.	SEC.						
T1	1	1.2	93-2					

SPEAKER

ITEM No.	TYPE		REPLACEMENT DATA		NOTES
			BULOVA PART No.	QUAM PART No.	
SP1	1 3/4"	PM	6-8Ω	93-1	

COMPONENT COMBINATIONS

ITEM No.	USE	DESCRIPTION	BULOVA PART No.	REPLACEMENT DATA
K1	Filter	5000Ω, .025mfd	93-15	
K2	Emitter Filter	1800Ω, .01mfd	93-12	
K3	Emitter Filter	680Ω, .025mfd	93-13	
K4	Filter	3000Ω, .025mfd	93-14	
K5	Diode Filter	470Ω, .01mfd, .01mfd	93-16	

BATTERIES

ITEM No.	VOLTAGE	BULOVA PART No.	REPLACEMENT DATA			NOTES
			BURGESS	EVEREADY	MALLORY	
M1	4.2V		H133	E133N	TR-133 or MN-1306	

MISCELLANEOUS

ITEM No.	PART NAME	BULOVA PART No.	NOTES
M2	Tuning Cap	93-34	2 Gang OA90 (PT) Slide Type (Radio-Auto-Alarm)
M3	Diode (Det-AGC)	93-29	
M4	Switch	93-5	

CABINETS & CABINET PARTS

(When Ordering Specify Model, Chassis & Color)

ITEM	PART No.	ITEM	PART No.
Knob, Tuning	93-71	Case (Carrying)	93-90
Knob, Volume	93-70	Clock, Complete	RT-41
Cabinet, Complete	93-22		

WIRING DATA

General-use Unshielded Hook-up Wire	Use Belden No. 8530 (Solid 22AWG)	Available
	8524 (Stranded 22AWG)	in
	8570 (Stranded 26AWG)	12 Colors