

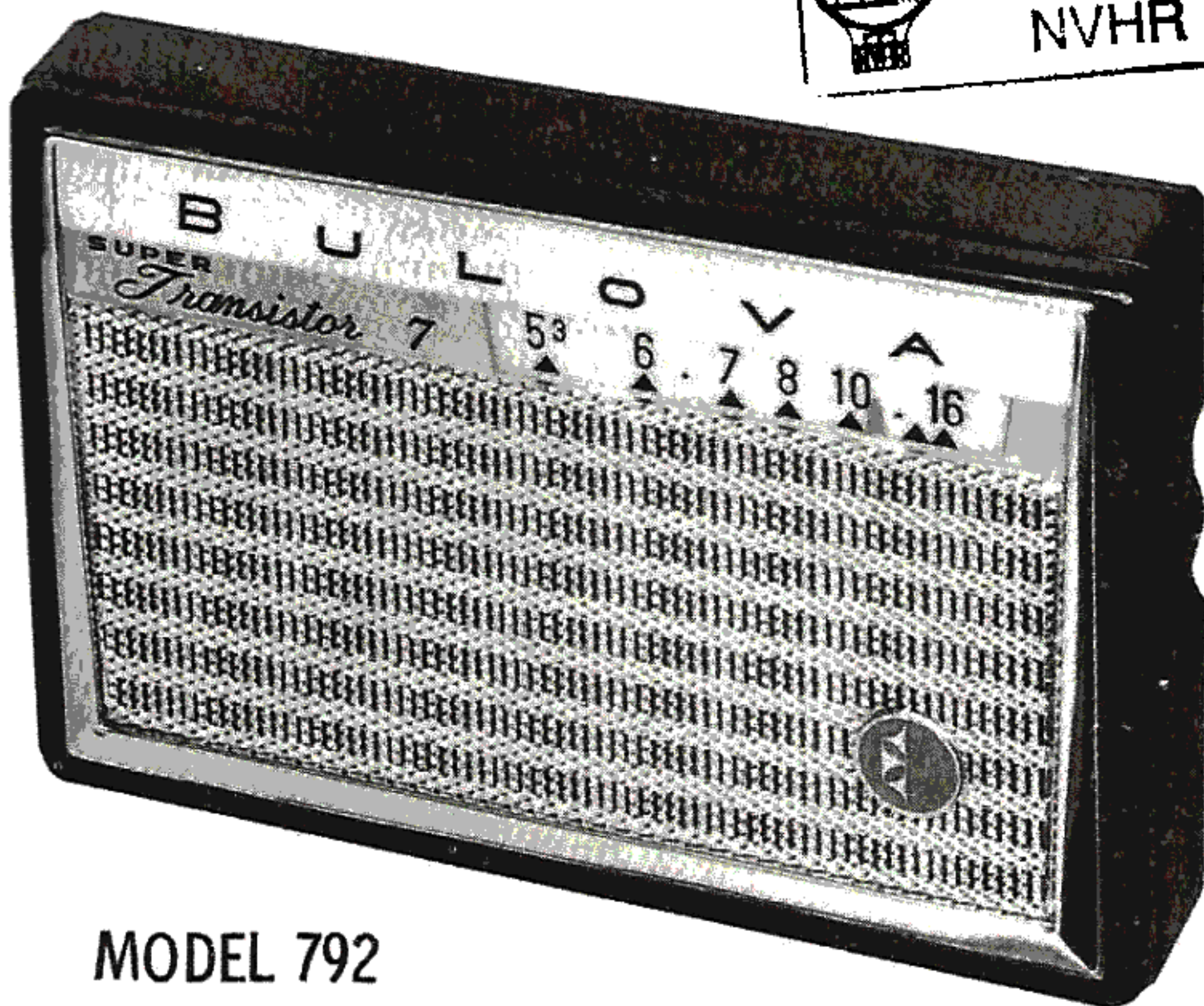
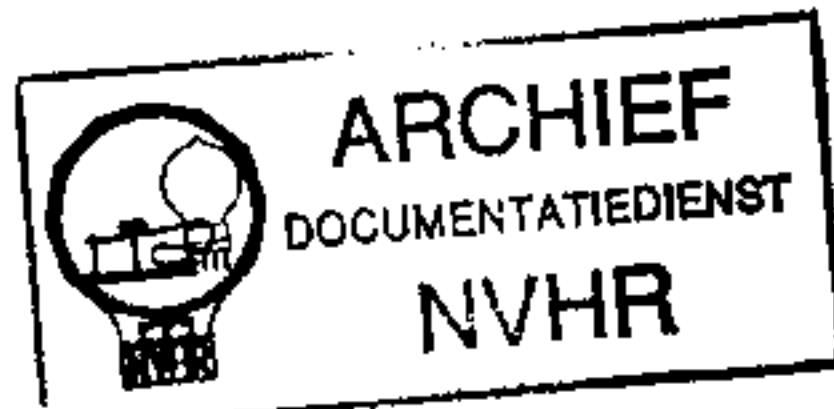
FACT Folder

with CIRCUITRACE<sup>®</sup>

**BULOVA MODELS  
792, 793, 795**

Ned. Ver. v. Historie v/d Radio

Met dank aan Jef Bos



**MODEL 792**

MODEL NAME	Bulova Models 792, 793, 795		
MANUFACTURER	Bulova Watch Co., Bulova Park, Flushing 70, N. Y.		
TYPE SET	Battery Operated Transistorized Portable AM Receiver		
POWER SUPPLY	9 Volts DC	RATING	6 MA @ 9 Volts DC (No Signal, Min. Volume)
TUNING RANGE—BROADCAST	540 - 1600KC		15MA @ 9 Volts DC (Signal, Normal Volume)

## ALIGNMENT INSTRUCTIONS

ALIGNMENT INSTRUCTIONS—READ CAREFULLY BEFORE ATTEMPTING ALIGNMENT

Volume control should be at maximum position. Output of signal generator should be no higher than necessary to obtain an S9 reading.

Required Alignment Tools:

- A1, A2, A3, A5..... GENERAL CEMENT #8607, 9291, 9294  
WALSCO #2520, 2522, 2523, 2524, 2534, 2537
- A4, A6..... GENERAL CEMENT #5000, 5003, 5066, 8276, 8290, 9087, 9089  
WALSCO #2512, 2525, 2528

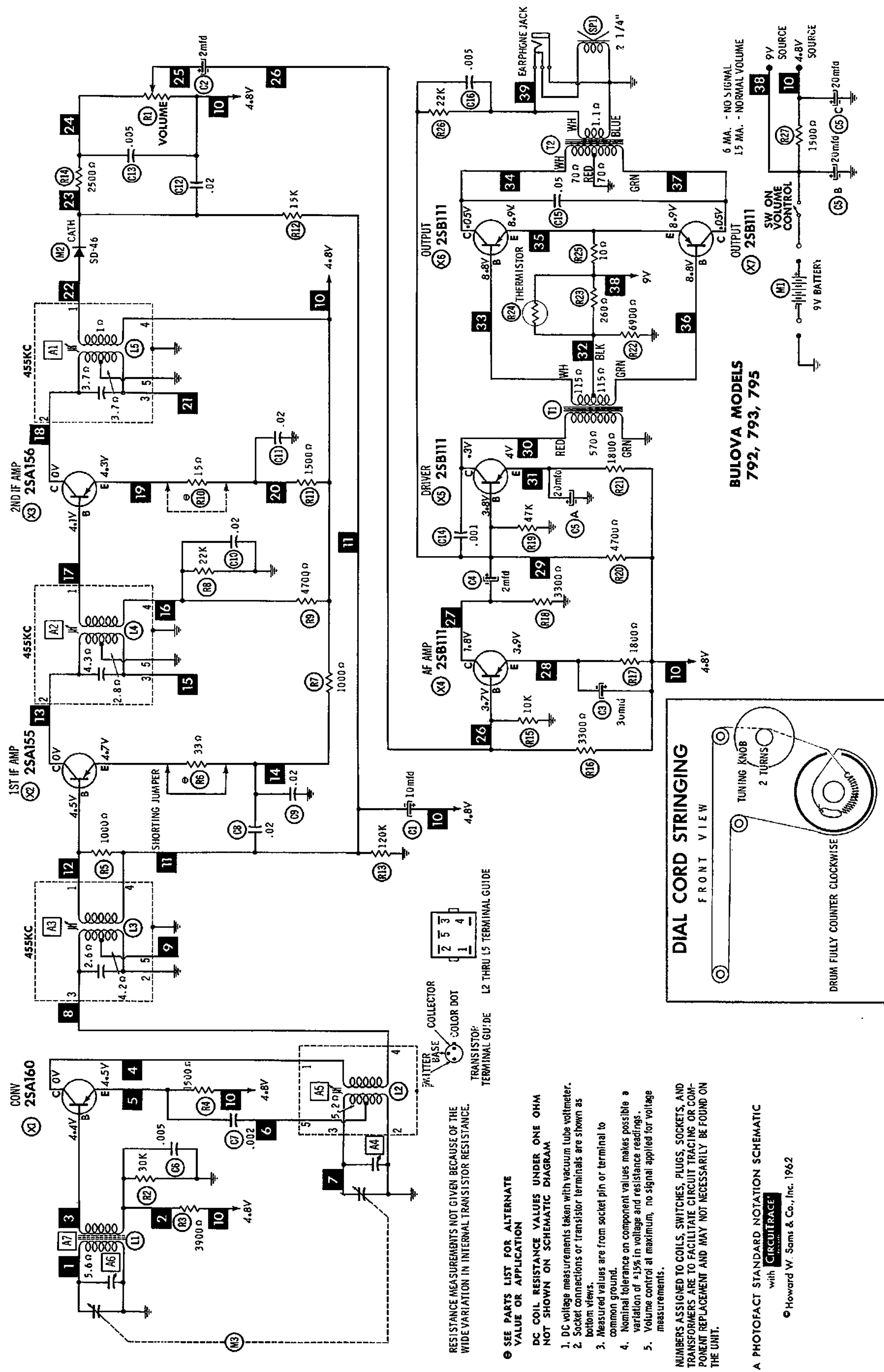
SIGNAL GENERATOR COUPLING	SIGNAL GENERATOR FREQUENCY	RADIO DIAL SETTING	OUTPUT METER	ADJUST	REMARKS
Ferrite loop of several turns of wire and radiate signal into loop of receiver.	455KC (400% Mod.)	Tuning gang fully open.	Across voice coil.	A1, A2, A3	Adjust for maximum output.
"	1600KC	1600KC	"	A4	"
"	600KC	600KC	"	A5	"
"	1400KC	1400KC Signal.	"	A6	"
"	600KC	600KC Signal.	"	A7	Adjust for maximum output by moving coil turns along ferrite core. Repeat steps 2 thru 5.

### HOWARD W. SAMS & CO., INC. Indianapolis 6, Indiana

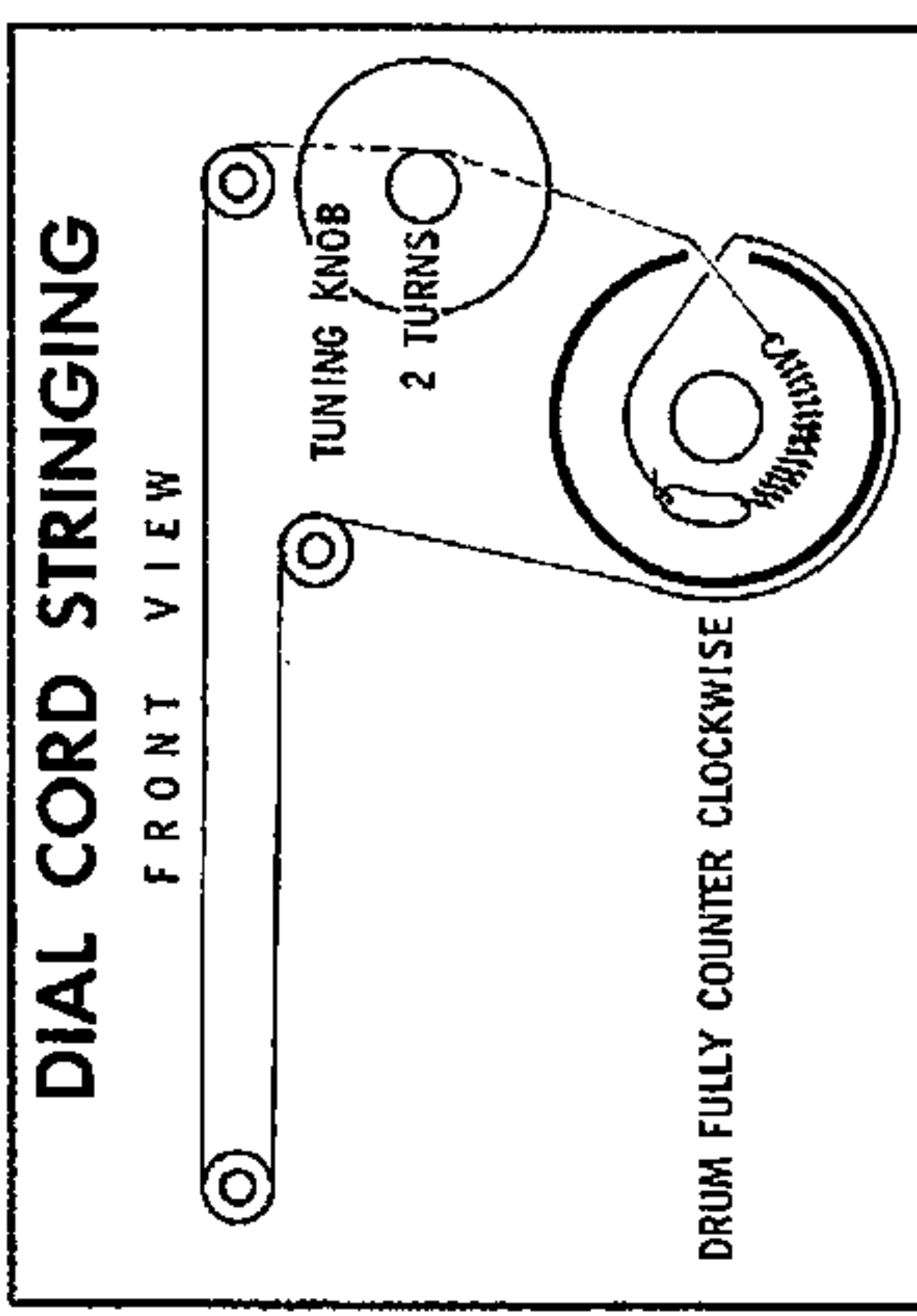
The listing of any available replacement part herein does not constitute in any case a recommendation, warranty or guarantee by Howard W. Sams & Co., Inc., as to the quality and suitability of such replacement part. The numbers of these parts have been compiled from information furnished to Howard W. Sams & Co., Inc., by the manufacturers of

the particular type of replacement part listed. Reproduction or use, without express permission, of editorial or pictorial content, in any manner, is prohibited. No patent liability is assumed with respect to the use of the information contained herein. © 1962 Howard W. Sams & Co., Inc., Indianapolis 6, Indiana. Printed in U.S. of America





**BULOVA MODELS  
792, 793, 795**



RESISTANCE MEASUREMENTS NOT GIVEN BECAUSE OF THE WIDE VARIATION IN INTERNAL TRANSISTOR RESISTANCE.

SEE PARTS LIST FOR ALTERNATE VALUE OR APPLICATION

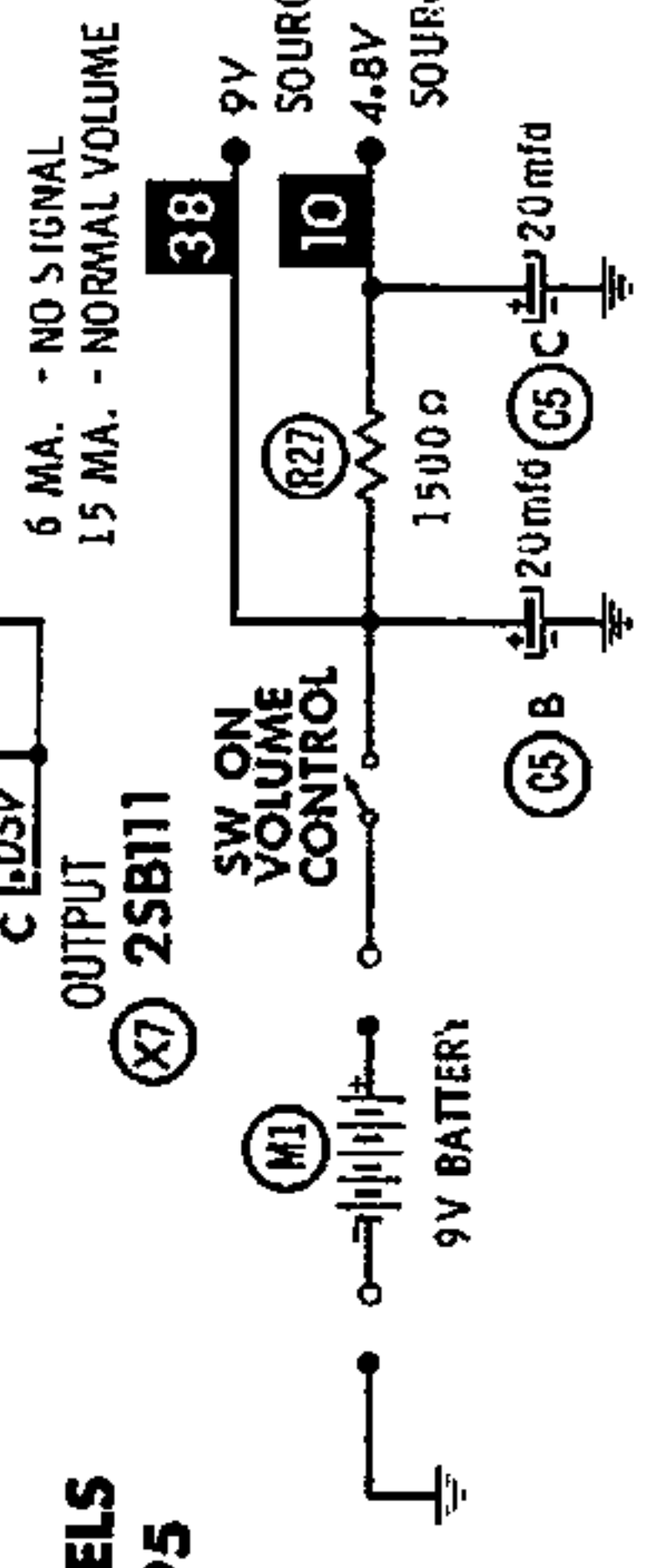
DC COIL RESISTANCE VALUES UNDER ONE OHM NOT SHOWN ON SCHEMATIC DIAGRAM

1. DC voltage measurements taken with vacuum tube voltmeter.
2. Socket connections or transistor terminals are shown as bottom views.
3. Measured values are from socket pin or terminal to common ground.
4. Nominal tolerance on component values makes possible a variation of ±15% in voltage and resistance readings.
5. Volume control at maximum, no signal applied for voltage measurements.

NUMBERS ASSIGNED TO COILS, SWITCHES, PLUGS, SOCKETS, AND TRANSFORMERS ARE TO FACILITATE CIRCUIT TRACING OR COMPONENT REPLACEMENT AND MAY NOT NECESSARILY BE FOUND ON THE UNIT.

A PHOTOFACT STANDARD NOTATION SCHEMATIC with **CIRCUITRACE**

© Howard W. Sams & Co., Inc. 1962



6 MA. - NO SIGNAL  
1.5 MA. - NORMAL VOLUME

9V BATTERY  
SW ON VOLUME CONTROL

9V SOURCE  
4.8V SOURCE

20mfd C5  
1500Ω R27

20mfd C6  
1500Ω R27

20mfd C7  
1500Ω R27

20mfd C8  
1500Ω R27

20mfd C9  
1500Ω R27

20mfd C10  
1500Ω R27

20mfd C11  
1500Ω R27

20mfd C12  
1500Ω R27

20mfd C13  
1500Ω R27

20mfd C14  
1500Ω R27

# PARTS LIST AND DESCRIPTIONS

## TRANSISTORS

ITEM No.	ORIG. TYPE	USE	REPLACEMENT DATA		NOTES
			RCA PART No.	RAYTHEON PART No.	
X1	2SA160	Converter	2N412		PNP
X2	2SA155	1st IF Amplifier	2N410		PNP
X3	2SA156	2nd IF Amplifier	2N410		PNP
X4	2SB111	AF Amplifier	2N406		PNP
X5	2SB111	Driver	2N406		PNP
X6	2SB111	Output	2N406		PNP
X7	2SB111	Output	2N406		PNP

## ELECTROLYTIC CAPACITORS

ITEM No.	RATING		REPLACEMENT DATA						
	CAP.	VOLT.	BULOVA PART No.	AEROVOX PART No.	CORNELL-DUBILIER PART No.	GENERAL ELECTRIC PART No.	MALLORY PART No.	PYRAMID PART No.	SPRAGUE PART No.
C1	10	3	N-55	PTT6	NLW10-6	MT1-5	TT3X10	MLV10-3	TE-1053
C2	2	12	N-57	PTT49	NLW2-50	MT1-1	TT12X2	MLV2-12	TE-1121
C3	30	6	N-56	PTT27	NLW30-6	MT1-13	TT6X30	MLV30-6	TE-1092
C4	2	12	N-57	PTT49	NLW2-50	MT1-1	TT12X2	MLV2-12	TE-1121
C5A	20	10	N-62						
B	20	10							
C	20	10							

## FIXED CAPACITORS

ITEM No.	RATING	REMARKS	REPLACEMENT DATA					
			AEROVOX PART No.	CENTRALAB PART No.	CORNELL-DUBILIER PART No.	ELMENCO PART No.	MALLORY PART No.	SPRAGUE PART No.
C6	.005		BPD-005	DDM-502	H-05D5	CCD-502	TA-250	TG-D50
C7	.002		BPD-002	DD-202	BYA10D2	CCD-202	GP220	5HK-D20
C8	.02			DA-203	H-05S2	CCD-203	TA-120	TG-S20
C9	.02			DA-203	H-05S2	CCD-203	TA-120	TG-S20
C10	.02			DA-203	H-05S2	CCD-203	TA-120	TG-S20
C11	.02			DA-203	H-05S2	CCD-203	TA-120	TG-S20
C12	.02			DA-203	H-05S2	CCD-203	TA-120	TG-S20
C13	.005		BPD-005	DDM-502	H-05D5	CCD-502	TA-250	TG-D50
C14	.001		BPD-001	DD-102	H-05D1	CCD-102	GP210	5HK-D10
C15	.05			DA-503	H-05S5		TA-150	TG-D50
C16	.005		BPD-005	DDM-502	H-05D5	CCD-502	TA-250	TG-D50

## CONTROLS

All wattages 1/2 watt, or less, unless otherwise listed.

ITEM No.	USE	RESISTANCE	REPLACEMENT DATA				
			BULOVA PART No.	CENTRALAB PART No.	CLAROSTAT PART No.	CTS-IRC PART No.	MALLORY PART No.
R1	Volume & Switch	10K	N-43				

## RESISTORS

All wattages 1/2 watt, or less, unless otherwise listed.

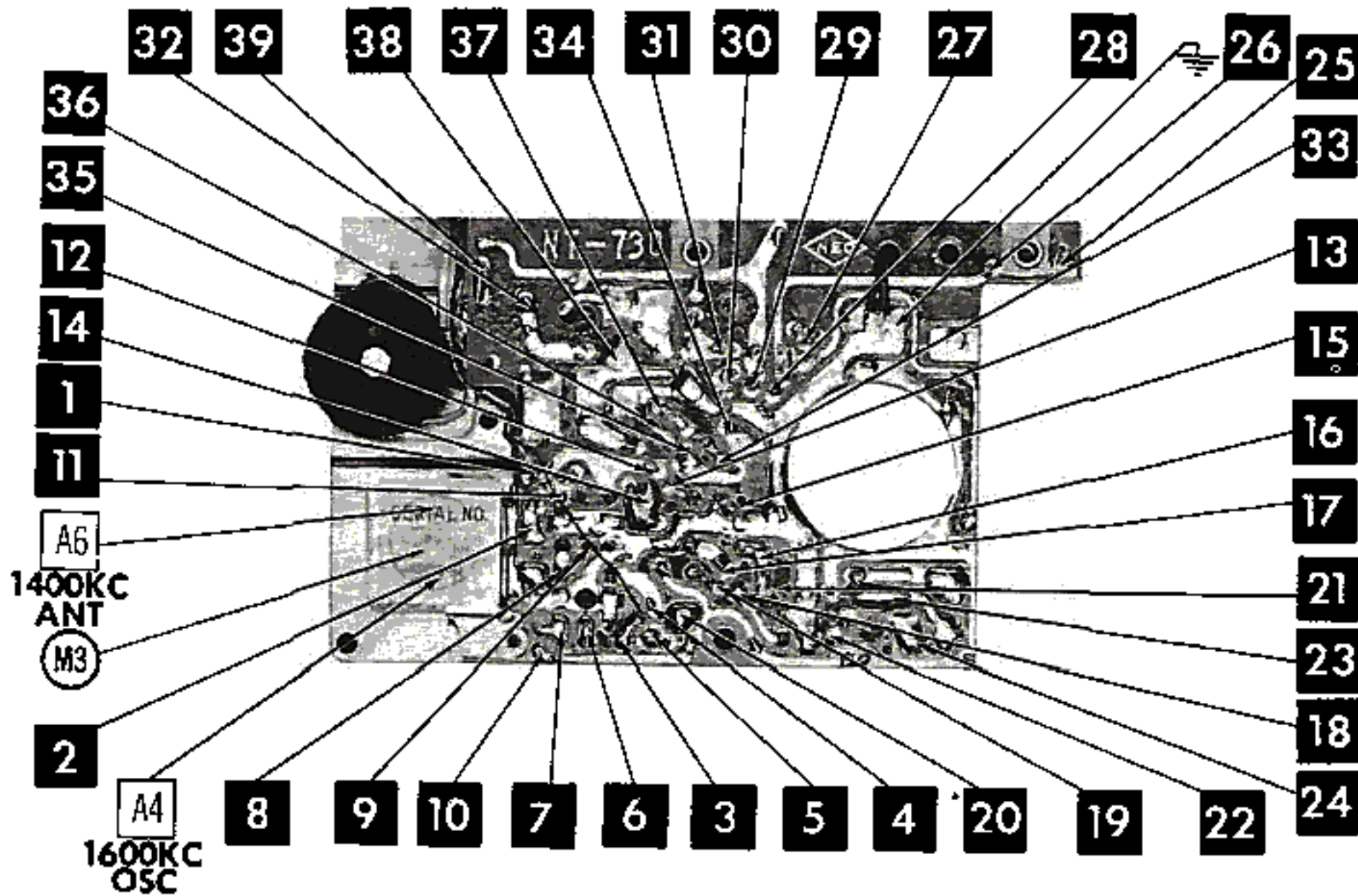
ITEM No.	RATING	REPLACEMENT DATA			ITEM No.	RATING	REPLACEMENT DATA		
		IRC PART No.	WORKMAN TV PART No.	REMARKS			IRC PART No.	WORKMAN TV PART No.	REMARKS
R2	30K				R15	10K			
R3	3900Ω				R16	3300Ω			
R4	1500Ω				R17	1800Ω			
R5	1000Ω				R18	3300Ω			
R6	33Ω			Note 1	R19	47K			
R7	1000Ω				R20	4700Ω			
R8	22K			Note 2	R21	1800Ω			
R9	4700Ω				R22	6900Ω			
R10	15Ω			Note 1	R23	260Ω			
R11	1500Ω				R24	Thermistor			Pt. #N-82
R12	15K				R25	10Ω			
R13	120K				R26	22K			
R14	2500Ω				R27	1500Ω			

Note 1. Value varies between 0-62Ω. Replace with original value.

Note 2. Value varies between 17K-27K. Replace with original value.

# PRINTED BOARD

A Howard W. Bents 1 THE ORIGINAL Plate



# PARTS LIST AND DESCRIPTIONS (Continued)

## COILS (RF-IF)

ITEM No.	USE	REPLACEMENT DATA					NOTES
		BULOVA PART No.	Merit PART No.	Miller PART No.	Stancor PART No.	Workman TV PART No.	
L1	Loopstick	N-44					Note 1. Part #N-49 includes L2, 3, 4, 5
L2	Osc.	Note 1					
L3	1st IF	Note 1					
L4	2nd IF	Note 1					
L5	3rd IF	Note 1					

## TRANSFORMER (DRIVER)

ITEM No.	TURNS RATIO		REPLACEMENT DATA					NOTES
	PRI.	SEC.	BULOVA PART No.	Merit PART No.	Stancor PART No.	Thordarson PART No.	Triad PART No.	
T1	1.4	1	N-61					

## TRANSFORMER (AUDIO OUTPUT)

ITEM No.	IMPEDANCE		REPLACEMENT DATA					NOTES
	PRI.	SEC.	BULOVA PART No.	Merit PART No.	Stancor PART No.	Thordarson PART No.	Triad PART No.	
T2	1000Ω CT	8-8Ω	N-52					

## SPEAKER

ITEM No.	TYPE			REPLACEMENT DATA		NOTES
	SIZE	FIELD	V. C. IMP.	BULOVA PART No.	QUAM PART No.	
SPI	2 1/4"	PM	8-8Ω	N-1		

## BATTERIES

ITEM No.	VOLTAGE	BULOVA PART No.	REPLACEMENT DATA						NOTES
			BURGESS		EVEREADY		MALLORY		
			"A"	"B"	"A"	"B"	"A"	"B"	
M1	9V			2U6		216		M-1604	

## SIGNAL DIODES

ITEM No.	ORIG. TYPE	REPLACEMENT DATA			NOTES
		BULOVA PART No.	GENERAL ELECTRIC PART No.	RAYTHEON PART No.	
M2	SD-46	N-48		1N60	Detector

## MISCELLANEOUS

ITEM No.	PART NAME	BULOVA PART No.	NOTES
M3	Tuning Cap.	N-42	2 Gang

## CABINETS & CABINET PARTS

(When Ordering Cabinets & Cabinet Parts, Specify Model, Chassis & Color)

NAME	PART NO.	DESCRIPTION
Dial Pointer	N-22	
Knob, Tuning	N-20	(Specify Color)
Knob, Volume	N-21	(Specify Color)
Cabinet	N-13	(Specify Color)

## WIRING DATA

General-use Unshielded Hook-up Wire ..... Use DELDEN No. 8530 (Solid) Available in Ten Colors  
8524 (Stranded) Available in Ten Colors



**CHASSIS—TOP VIEW**

