

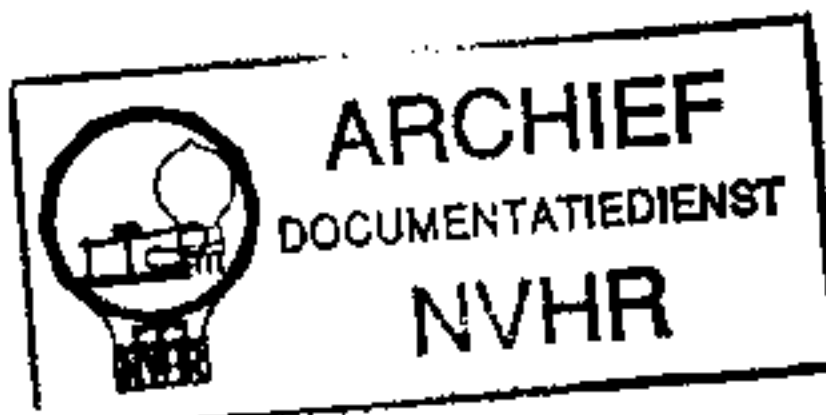
PHOTOFACT® Folder

with **CIRCUITRACE®**

BULOVA MODELS 715, 718



Ned. Ver. v. Historie v/d Radio



Met dank aan Jef Bos

TRADE NAME	Bulova Models 715, 718		
MANUFACTURER	Bulova Watch Co., Bulova Park, Flushing 70, N. Y.		
TYPE SET	Battery Operated Transistorized AM Receiver		
POWER SUPPLY	6 Volts DC	RATING	11MA @ 6 Volts DC (No Signal, Min. Volume)
TUNING RANGE—BROADCAST	540 — 1600KC		20MA @ 6 Volts DC (Signal, Normal Volume)

ALIGNMENT INSTRUCTIONS

ALIGNMENT INSTRUCTIONS—READ CAREFULLY BEFORE ATTEMPTING ALIGNMENT

Volume control should be at maximum position. Output of signal generator should be no higher than necessary to obtain an ~~output~~ reading.

Suggested Alignment Tools:

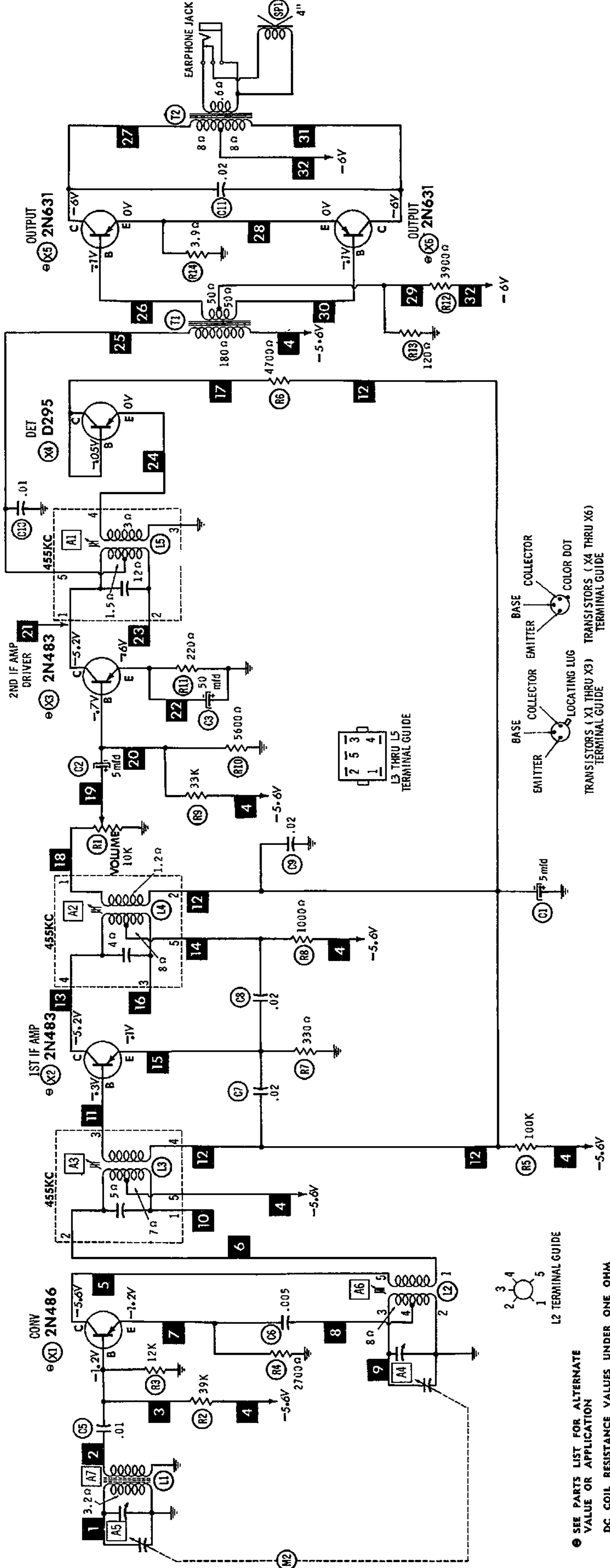
- A1, A2, A3..... GENERAL CEMENT #5009, 8195, 8274, 8275, 8728, 8729, 8987, 8988, 8989
WALSCO #2515, 2531, 2532
- A4, A5..... GENERAL CEMENT #5004, 5008, 5009
WALSCO #2520
- A6..... GENERAL CEMENT #8282, 8606, 8606-L, 9295, 9440
WALSCO #2526, 2543, 2544, 2545

	SIGNAL GENERATOR COUPLING	SIGNAL GENERATOR FREQUENCY	RADIO DIAL SETTING	OUTPUT METER	ADJUST	REMARKS
1	Fashion loop of several turns of wire and radiate signal into loop of receiver.	455KC (400% Mod.)	Tuning gang fully open.	Across voice coll.	A1, A2, A3	Adjust for maximum output.
2	"	1600KC	1600KC	"	A4, A5	"
3	"	600KC	600KC	"	A6, A7	Adjust for maximum output. A7 is adjusted by moving antenna coil turns along ferrite core. Repeat steps 2 and 3.

HOWARD W. SAMS & CO., INC. Indianapolis 6, Indiana

The listing of any available replacement part herein does not constitute in any case a recommendation, warranty or guarantee by Howard W. Sams & Co., Inc., as to the quality and suitability of such replacement part. The numbers of these parts have been compiled from information furnished to Howard W. Sams & Co., Inc., by the manufacturers of

the particular type of replacement part listed. Reproduction or use, without express permission, of editorial or pictorial content, in any manner, is prohibited. No patent liability is assumed with respect to the use of the information contained herein. ©1962 Howard W. Sams & Co., Inc., Indianapolis 6, Indiana. Printed in U.S. of America



SEE PARTS LIST FOR ALTERNATE VALUE OR APPLICATION
 DC COIL RESISTANCE VALUES UNDER ONE OHM NOT SHOWN ON SCHEMATIC DIAGRAM

RESISTANCE MEASUREMENTS NOT GIVEN BECAUSE OF THE WIDE VARIATION IN INTERNAL TRANSISTOR RESISTANCE.

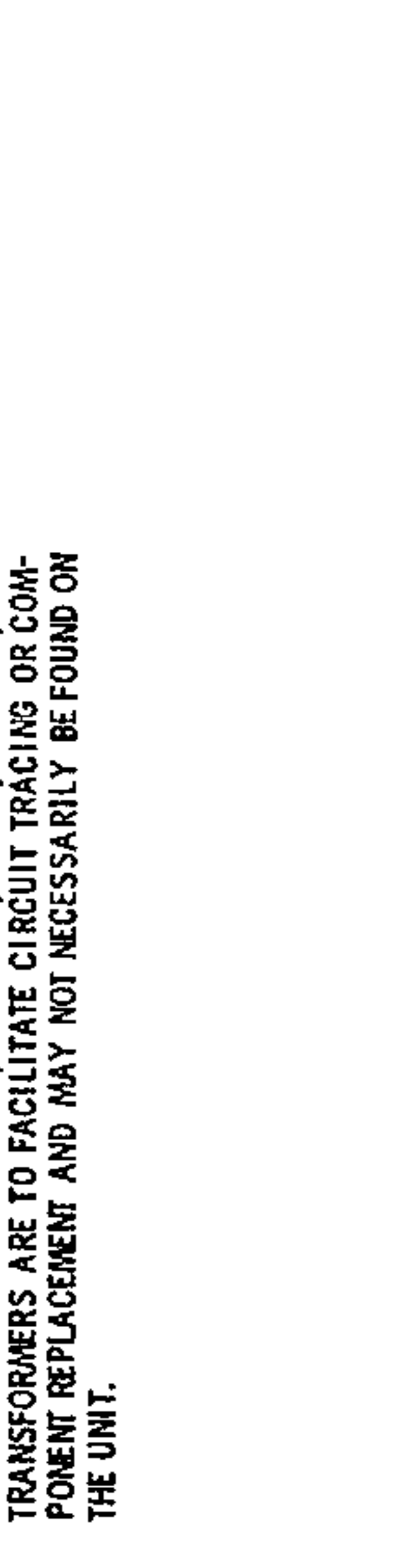
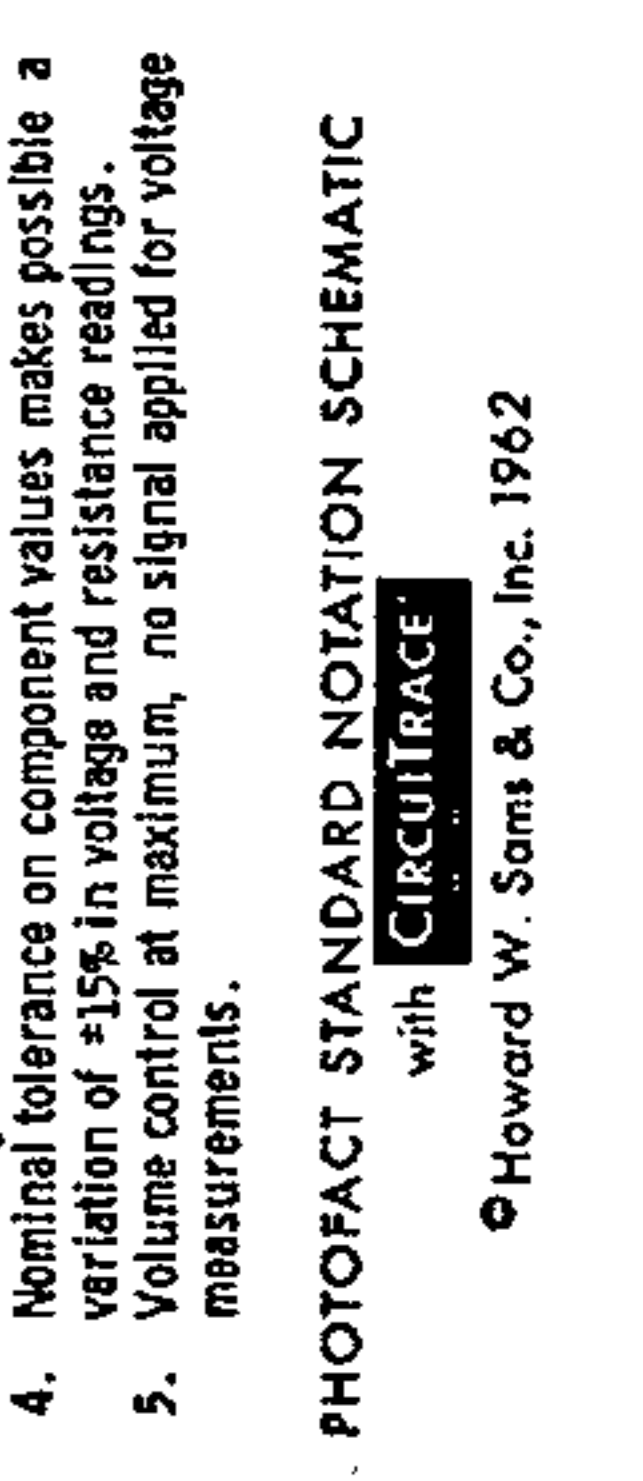
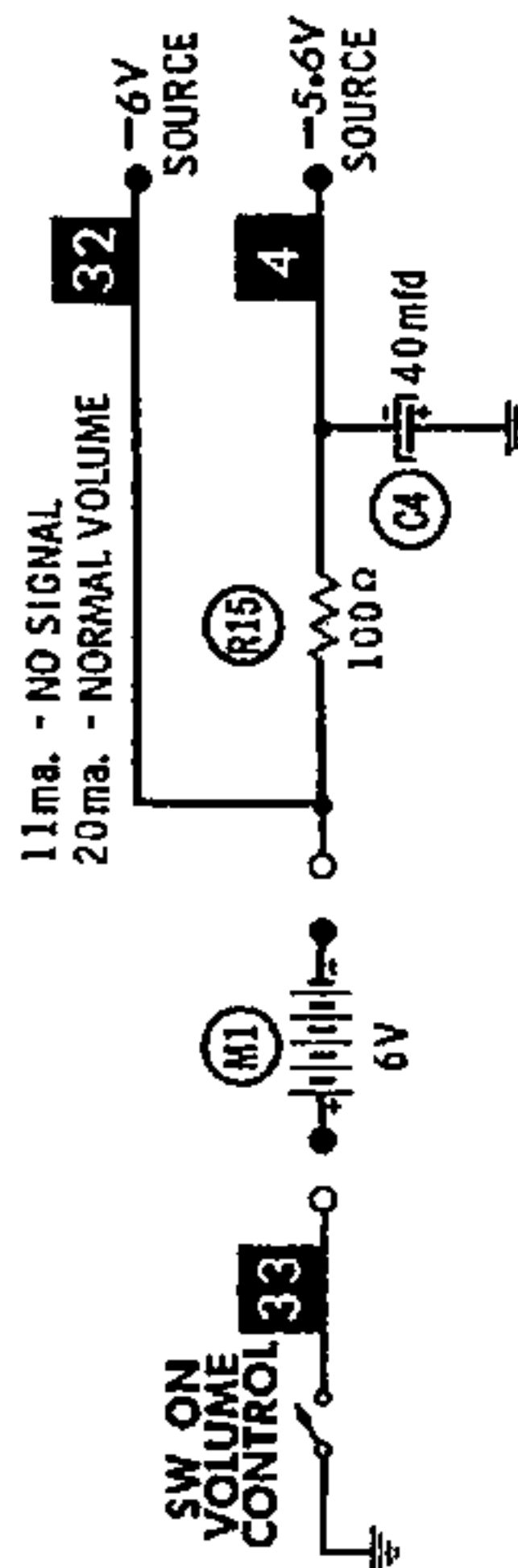
NUMBERS ASSIGNED TO COILS, SWITCHES, PLUGS, SOCKETS, AND TRANSFORMERS ARE TO FACILITATE CIRCUIT TRACING OR COMPONENT REPLACEMENT AND MAY NOT NECESSARILY BE FOUND ON THE UNIT.

1. DC voltage measurements taken with vacuum tube voltmeter.
 2. Socket connections or transistor terminals are shown as bottom views.
 3. Measured values are from socket pin or terminal to common ground.
 4. Nominal tolerance on component values makes possible a variation of $\pm 15\%$ in voltage and resistance readings.
 5. Volume control at maximum, no signal applied for voltage measurements.

PHOTOFACT STANDARD NOTATION SCHEMATIC with CIRCUITTRACE

© Howard W. Sams & Co., Inc. 1962

BULOVA MODELS 715, 718



PARTS LIST AND DESCRIPTIONS TRANSISTOR

ITEM No.	CIRCUIT TYPE	DESCRIPTION	REPLACEMENT DATA		TYPE	NOTES
			BCA PART No.	RAYTHEON PART No.		
X1	2N400 2N412*	Converter	2N412	2N400	PNP	
X2	2N483 2N410*	1st IF Amplifier	2N410	2N483	PNP	
X3	2N483 2N410*	2nd IF Amplifier-Driver	2N410	2N483	PNP	
X4	D295	Detector	2N410		PNP	
X5	2N631 2N408*	Output	2N408		PNP	} Matched Pair
X6	2N631 2N408*	Output	2N408		PNP	

* Alternate Type.

ELECTROLYTIC CAPACITORS

ITEM No.	RATING		REPLACEMENT DATA						
	CAP.	VOLT.	BULOVA PART No.	AEROVOX PART No.	CORNELL-DUBILIER PART No.	GENERAL ELECTRIC PART No.	MALLORY PART No.	PYRAMID PART No.	SPRAGUE PART No.
C1	5	3	10-20	PTT4	NLW5-15	MT1-3	TT6X5	MLV5-3	TE-1052.2
C2	5	3	10-20	PTT4	NLW5-15	MT1-3	TT6X5	MLV5-3	TE-1052.2
C3	50	3	10-17	PTT12	NLW50-3	MT1-15	TT6X50	MLV50-3	TE-1058
C4	40	10	10-19	PTT44	NLW40-10	MT1-16	TT15X40	MLV40-12	TE-1119

FIXED CAPACITORS

ITEM No.	RATING	REMARKS	REPLACEMENT DATA					
			AEROVOX PART No.	CENTRALAB PART No.	CORNELL-DUBILIER PART No.	ELMENCO PART No.	MALLORY PART No.	SPRAGUE PART No.
C5	.01		BPD-01	DM-103	H-05S1	CCD-103	TA-110	TG-S10
C6	.005		BPD-005	DM-502	H-05D5	CCD-502	TA-250	TG-D50
C7	.02		BPD-02	DA-203	H-05S2	CCD-203	TA-120	TG-S20
C8	.02		BPD-02	DA-203	H-05S2	CCD-203	TA-120	TG-S20
C9	.02		BPD-02	DA-203	H-05S2	CCD-203	TA-120	TG-S20
C10	.01		BPD-01	DM-103	H-05S1	CCD-103	TA-110	TG-S10
C11	.02		BPD-02	DA-203	H-05S2	CCD-203	TA-120	TG-S20

CONTROLS

ITEM No.	RATING		REPLACEMENT DATA					INSTALLATION NOTES
	RESISTANCE	WATTS	BULOVA PART No.	CENTRALAB PART No.	CLAROSTAT PART No.	CTS-IRC PART No.	MALLORY PART No.	
R1	10K	1/4	22-16					Volume & Switch

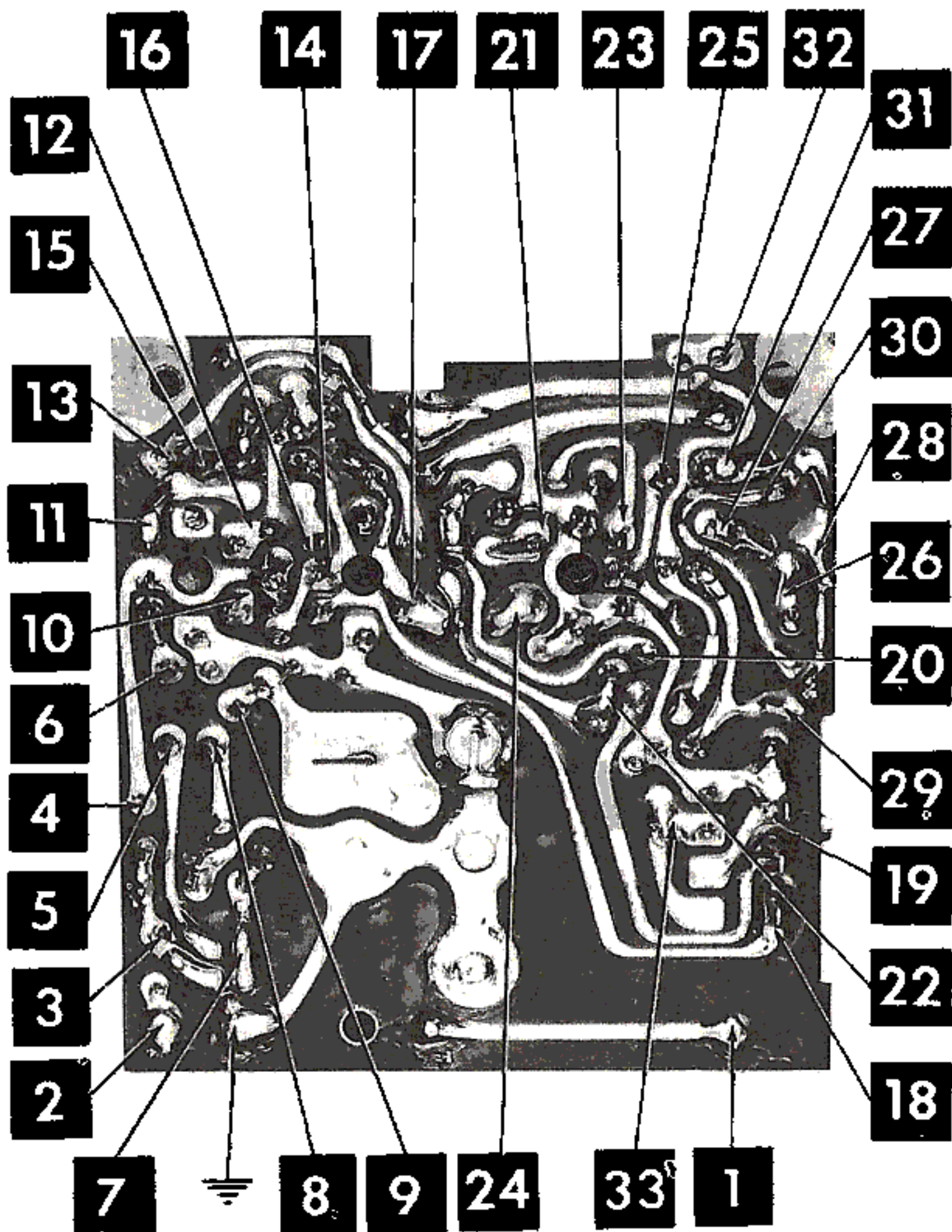
RESISTORS

All wattages 1/2 watt, or less, unless otherwise listed.

ITEM No.	RATING	REPLACEMENT DATA			ITEM No.	RATING	REPLACEMENT DATA		
		IRC PART No.	WORKMAN TV PART No.	REMARKS			IRC PART No.	WORKMAN TV PART No.	REMARKS
R2	39K				R9	33K			
R3	12K				R10	5800Ω			
R4	2700Ω				R11	220Ω			
R5	100K				R12	3900Ω			
R6	4700Ω				R13	120Ω			
R7	330Ω				R14	3.9Ω			
R8	1000Ω				R15	100Ω			

PRINTED BOARD

A Howard W. Sams **PROJECT** Photo



PARTS LIST AND DESCRIPTIONS (Continued)

COILS (RF-IF)

ITEM No.	USE	REPLACEMENT DATA					NOTES
		BULOVA PART No.	Merit PART No.	Miller PART No.	Stancor PART No.	Workman TV PART No.	
L1	Loopstick	60-13					
L2	Osc.	20-10					
L3	1st IF	24-33					
L4	2nd IF	24-34					
L5	3rd IF	24-35					

TRANSFORMER (DRIVER)

ITEM No.	TURNS RATIO		REPLACEMENT DATA					NOTES
			BULOVA PART No.	Merit PART No.	Stancor PART No.	Thordarson PART No.	Triad PART No.	
	PRI.	SEC.						
T1	1.2	1	24-31					

TRANSFORMER (AUDIO OUTPUT)

ITEM No.	IMPEDANCE		REPLACEMENT DATA					NOTES
			BULOVA PART No.	Merit PART No.	Stancor PART No.	Thordarson PART No.	Triad PART No.	
	PRI.	SEC.						
T2	350Ω CT	3-4Ω	(Part of SP1)					

SPEAKER

ITEM No.	TYPE			REPLACEMENT DATA		NOTES
				BULOVA PART No.	QUAM PART No.	
	SIZE	FIELD	V. C. IMP.			
SP1	4"	PM	3-4Ω	26-21 *	4A1	* Includes T2

BATTERIES

ITEM No.	VOLTAGE	BULOVA PART No.	REPLACEMENT DATA						NOTES
			BURGESS		EVEREADY		MALLORY		
			"A"	"B"	"A"	"B"	"A"	"B"	
M1	6V					2713			

MISCELLANEOUS

ITEM No.	PART NAME	BULOVA PART No.	NOTES
M2	Tuning Cap.	12-20	2 Gang

CABINETS & CABINET PARTS

(When Ordering Cabinets & Cabinet Parts, Specify Model, Chassis & Color)

NAME	PART NO.	DESCRIPTION
Knob	78-56	Tuning
Knob	78-48	Volume
Cabinet	70-84	Specify Color

WIRING DATA

General-use Unshielded Hook-up Wire Use BELDEN No. 8530 (Solid) Available in Ten Colors
8524 (Stranded) Available in Ten Colors

CHASSIS—TOP VIEW

