



Hinweise zum Stromlaufplan regie 528

Gezeichnete Schalterstellungen:

| | |
|-------------------------------|--------------------------------|
| Betriebsarten- schalter | Mittelwellen-Taste gedrückt |
| Lautsprecher- Wahlschalter | Lautsprecher 1 gedrückt |
| Speichereinheit | S 002 gedrückt |

Die angegebenen Spannungswerte ohne Klammer sind ohne Signal, die angegebenen Spannungswerte mit Klammer sind mit Nennleistung, mit einem Instrument $R_i \geq 50 \text{ k}\Omega/\text{V}$ bei Netzspannung 220V und bei einer Umgebungstemperatur von 25 °C zu messen.

Spannungsangaben ohne Bezugslinie sind gegen Masse zu messen. Die angegebenen Spannungen können um $\pm 15\%$ abweichen.

Die Anfänge der Spulenwicklungen sind im Stromlaufplan mit einem Punkt versehen.

Frequenzbereiche:

| | | | |
|----|------------------|--------|----------|
| FM | 87,5 ... 104 MHz | FM/ZF: | 10,7 MHz |
| KW | 5,8 ... 7,5 MHz | AM/ZF: | 460 kHz |
| MW | 510 ... 1650 kHz | | |
| LW | 145 ... 350 kHz | | |

Oszillatorspannungen:

| | | |
|----|-------------------------------|-------------------|
| FM | 130...200 mV am Emitter T 102 | } Meß- punkt 3 |
| KW | 70... 90 mV am Emitter T 201 | |
| MW | 60...100 mV am Emitter T 201 | } Meß- punkt 5 |
| LW | 70...110 mV am Emitter T 201 | |

gemessen mit UHF-Millivoltmeter URV
Rhode & Schwarz.

Notes on Circuit Diagram

Switches are shown in the following positions:

| | |
|-----------------------|---------------------------------|
| Function selector: | AM button depressed |
| Loudspeaker selector: | Loudspeaker, 1 button depressed |
| FM pushbutton tuner: | S002 depressed |

Voltages not in parentheses are without signal.

Voltages in parentheses are measured with rated output.

Voltages are measured with a 50 k Ω /Volt meter, with 220 V mains voltage, and at 25 °C (77 °F) ambient temperature.

Unless otherwise indicated by reference lines, voltages are measured with respect to chassis. Voltages may vary $\pm 15\%$.

Coils are shown with start of winding indicated by a dot.

Tuning range:

| | | | |
|----|------------------|--------|----------|
| FM | 87,5... 104 MHz | FM IF: | 10,7 MHz |
| SW | 5,8... 7,5 MHz | AM IF: | 460 kHz |
| MW | 510 ... 1650 kHz | | |
| LW | 145 ... 350 kHz | | |

Local oscillator voltages:

| | | |
|----|----------------------------------|----------------|
| FM | 130...200 mV at emitter of T 102 | } Test point 3 |
| SW | 70... 90 mV at emitter of T 201 | |
| MW | 60...100 mV at emitter of T 201 | } Test point 5 |
| LW | 70...110 mV | |

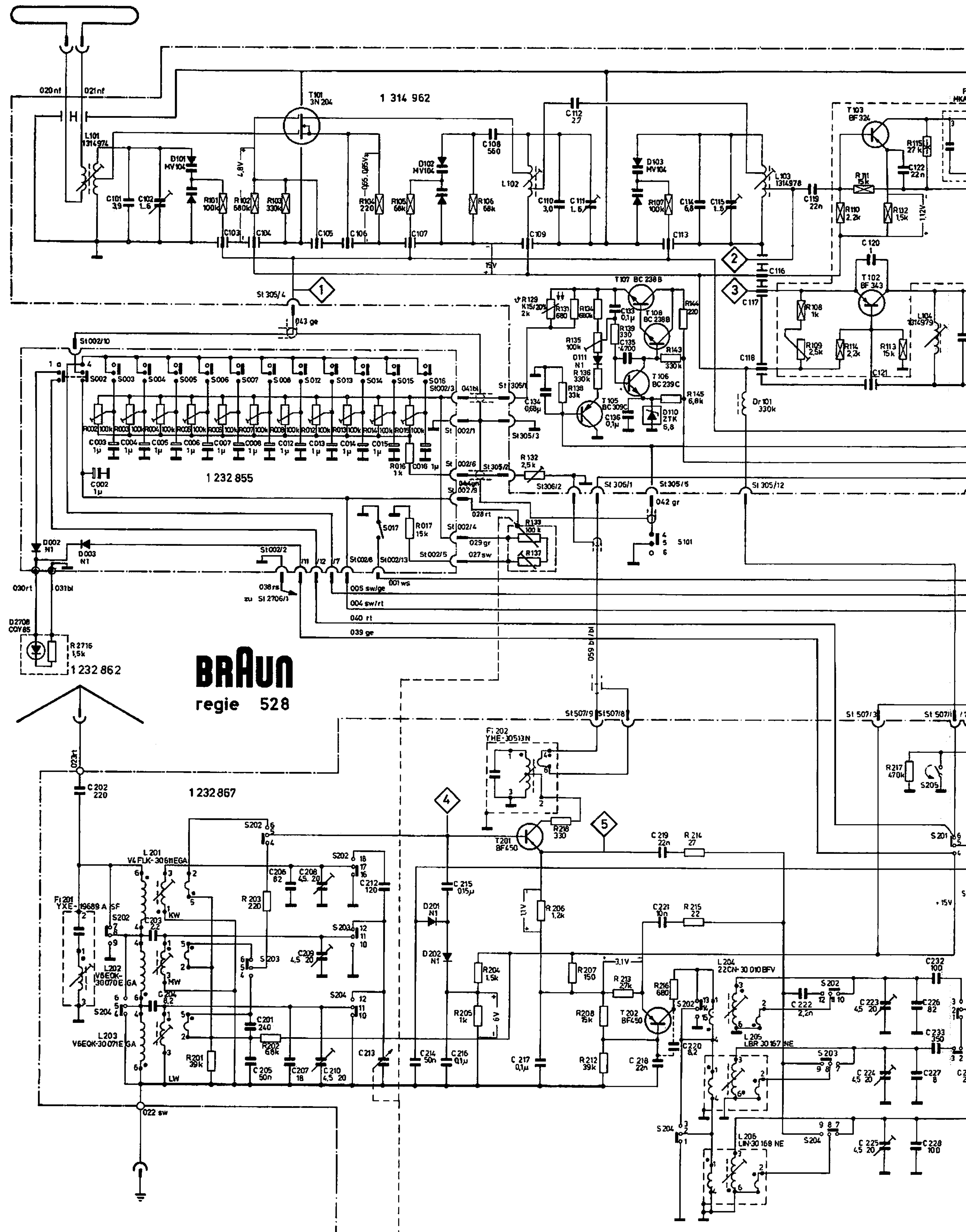
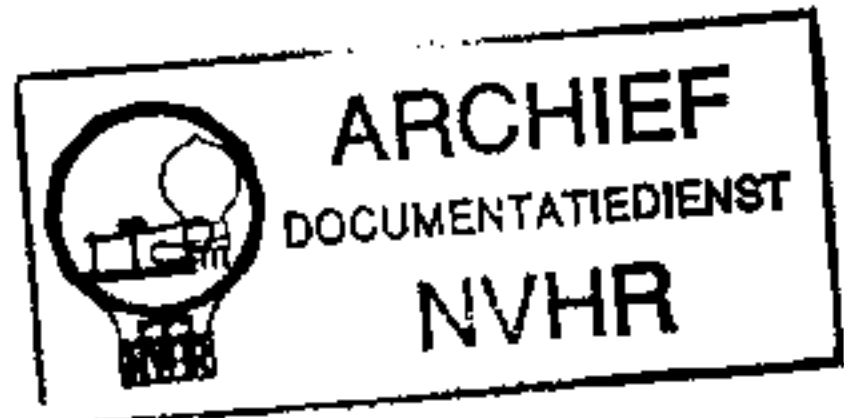
measured with Rhode & Schwarz UHF Millivoltmeter, type URV.

Hinweise zum Lageplan

Hints for location of components

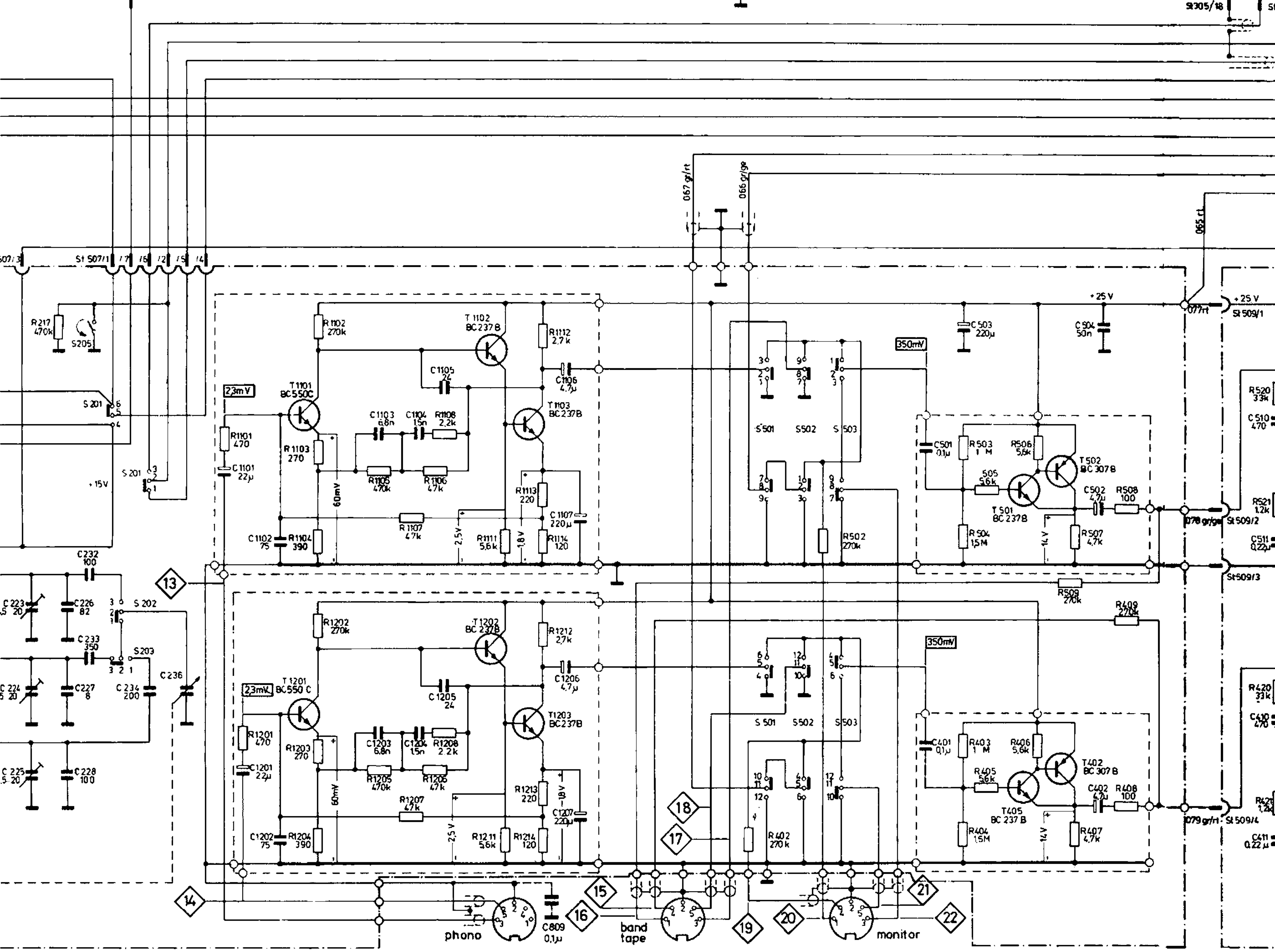
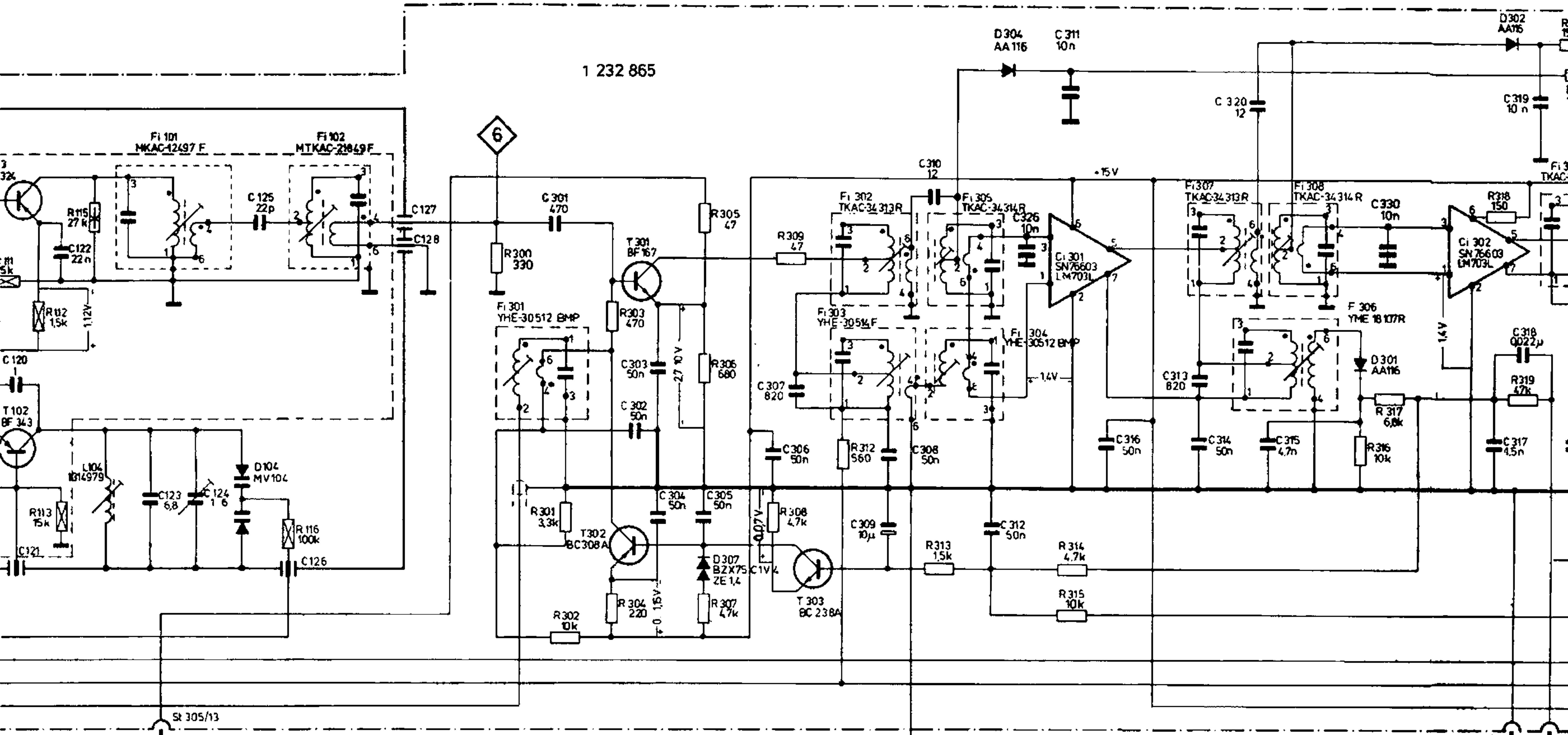
| | | | | | |
|-----------|-----------|-------------|-----------|-----------|-------------|
| 001 ws | St 312/1 | - St 002/13 | 072 rt | St 510/4 | - 1 232 866 |
| 004 sw/rt | St 2701/5 | - St 002/8 | 073 gn/ge | St 510/5 | - S 505/4 |
| 005 sw/ge | St 2701/4 | - St 002/7 | 074 gn/rt | St 510/7 | - S 505/1 |
| 007 sw | 1 232 831 | - 1 215 881 | 075 gn/ge | St 510/8 | - S 801 |
| 008 rt | 1 232 831 | - 1 215 881 | 076 gn/rt | St 510/10 | - S 801 |
| 009 sw | 1 232 831 | - 1 215 881 | 077 rt | St 509/1 | - 1 232 867 |
| 010 gn | 1 232 831 | - 1 215 881 | 078 gr/ge | St 509/3 | - 1 232 867 |
| 011 ge | 1 215 881 | - St 716 | 079 gr/rt | St 509/5 | - 1 232 867 |
| 012 gn | 1 215 881 | - St 717 | 080 br | Tr 801 | - 1 232 831 |
| 013 br | 1 215 881 | - St 716 | 081 br | Tr 801 | - 1 232 831 |
| 014 rt | 1 215 881 | - St 617 | 082 rt | Si 802 | - Tr 801 |
| 015 sw | 1 215 881 | - St 616 | 083 sw | Sp 1 | - Tr 801 |
| 016 or | 1 215 881 | - St 616 | 084 rt | 1 232 866 | - St 2701/7 |
| 017 sw | 1 314 168 | - 1 232 867 | 085 rs | St 002/2 | - St 2701/6 |
| 018 ge | 1 314 168 | - 1 232 867 | 086 rt | St 902/2 | - St 2701/1 |
| 019 ge | 1 314 168 | - 1 232 867 | 087 ge | St 902/1 | - St 2701/0 |
| 020 nf | 1 232 865 | - St 118 | 089 ge | 1 232 867 | - St 002/11 |
| 021 nf | 1 232 865 | - St 118 | 090 rt | 1 232 867 | - St 002/12 |
| 022 sw | St 218 | - 1 232 867 | 091 rs | St 507/3 | - St 901/2 |
| 023 rt | St 218 | - 1 232 867 | 092 ge | St 716 | - St 717 |
| 025 sw | S 801 | - Si 802 | 093 or | St 617 | - St 616 |
| 026 bl | S 801 | - Sp 1 | 097 rt | 1 232 831 | - S 803 |
| 027 sw | St 002/5 | - 1 314 168 | 098 sw | 1 232 831 | - S 803 |
| 028 rt | St 002/9 | - 1 314 168 | | | |
| 029 gr | St 002/4 | - 1 314 168 | | | |
| 030 rt | 1 232 862 | - 1 232 855 | | | |
| 031 bl | 1 232 862 | - 1 232 855 | | | |
| 034 sw | 1 214 808 | - St 611/3 | | | |
| 035 rt | 1 214 808 | - St 611/1 | | | |
| 036 ge | 1 214 808 | - St 611/2 | | | |
| 037 gn | 1 214 808 | - St 611/4 | | | |
| 041 gr/gr | St 305/2 | - S 101/1 | | | |
| 042 gr/bl | St 305/1 | - St 002/3 | | | |
| 043 gr/ge | St 305/4 | - St 002/10 | | | |
| 044 gr/gn | St 305/5 | - St 002/6 | | | |
| 045 rt | St 305/7 | - St 901/8 | | | |
| 046 br | St 305/8 | - St 608/5 | | | |
| 047 ws | St 305/10 | - St 608/4 | | | |
| 048 ws | St 305/11 | - St 901/7 | | | |
| 049 ge | St 305/12 | - St 507/1 | | | |
| 050 vi | St 305/13 | - St 507/7 | | | |
| 051 bl | St 305/14 | - St 2701/2 | | | |
| 052 br | St 305/15 | - S 507/1 | | | |
| 053 gr/gr | St 305/16 | - St 507/5 | | | |
| 054 gr/gn | St 305/17 | - St 507/6 | | | |
| 056 gr/gr | St 901/5 | - St 312/2 | | | |
| 057 gr/gn | St 901/3 | - St 507/2 | | | |
| 058 gn | St 901/1 | - S 507/2 | | | |
| 059 bl/bl | St 507/9 | - St 306/1 | | | |
| 060 sw | La 001 | - St 608/2 | | | |
| 061 rt | La 001 | - St 608/3 | | | |
| 062 rt | St 901/6 | - St 507/4 | | | |
| 065 rt | St 902/3 | - 1 232 867 | | | |
| 066 sw/ge | St 902/4 | - S 501/8 | | | |
| 067 sw/rt | St 902/6 | - S 501/11 | | | |
| 068 rt/ge | St 403/1 | - 1 232 831 | | | |
| 069 rt/rt | St 403/4 | - 1 232 831 | | | |
| 070 gr/rt | St 511/3 | - 1 232 866 | | | |
| 071 gr/ge | St 511/1 | - 1 232 866 | | | |

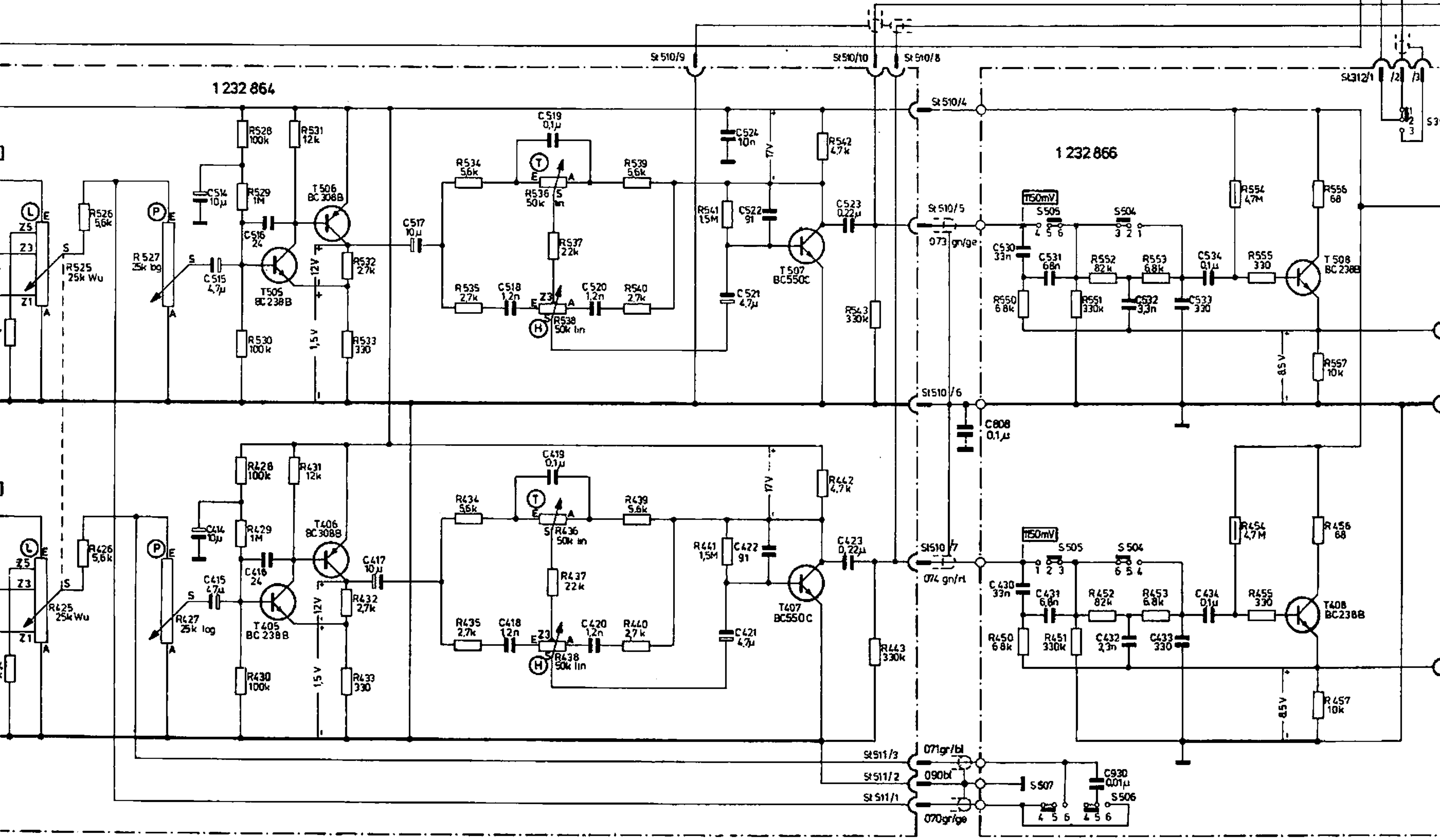
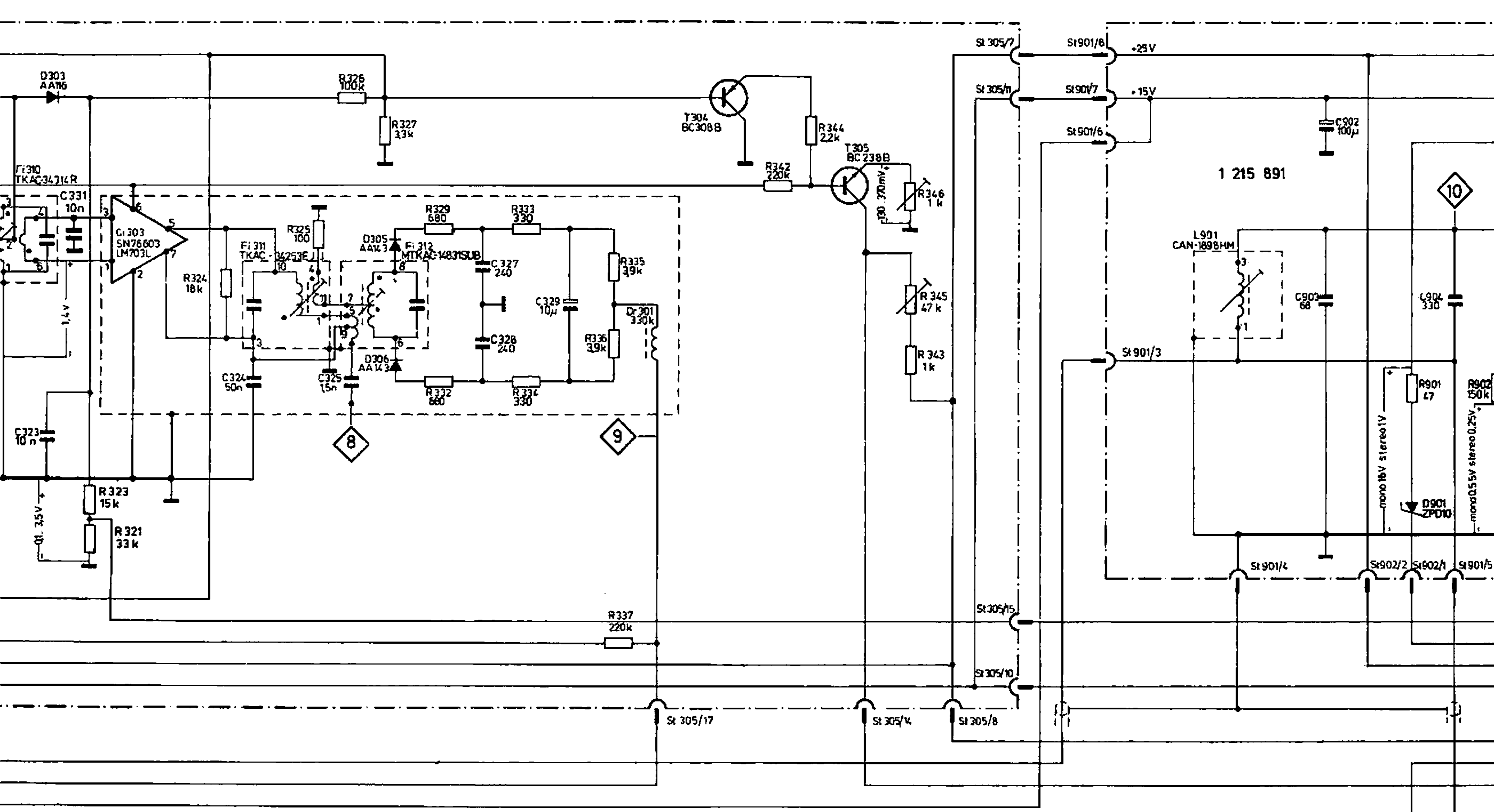
Stromlaufplan Circuit Diagram

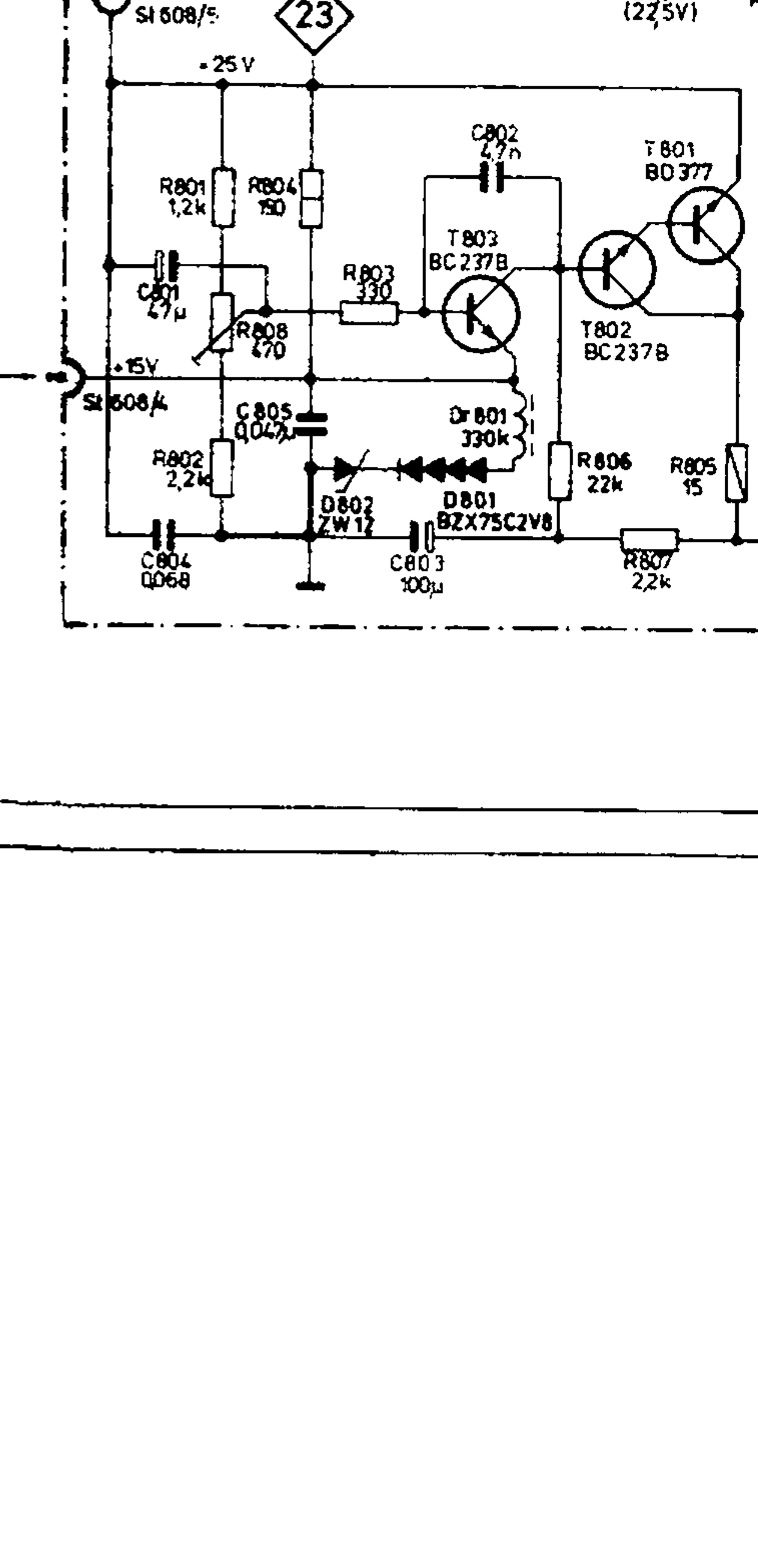
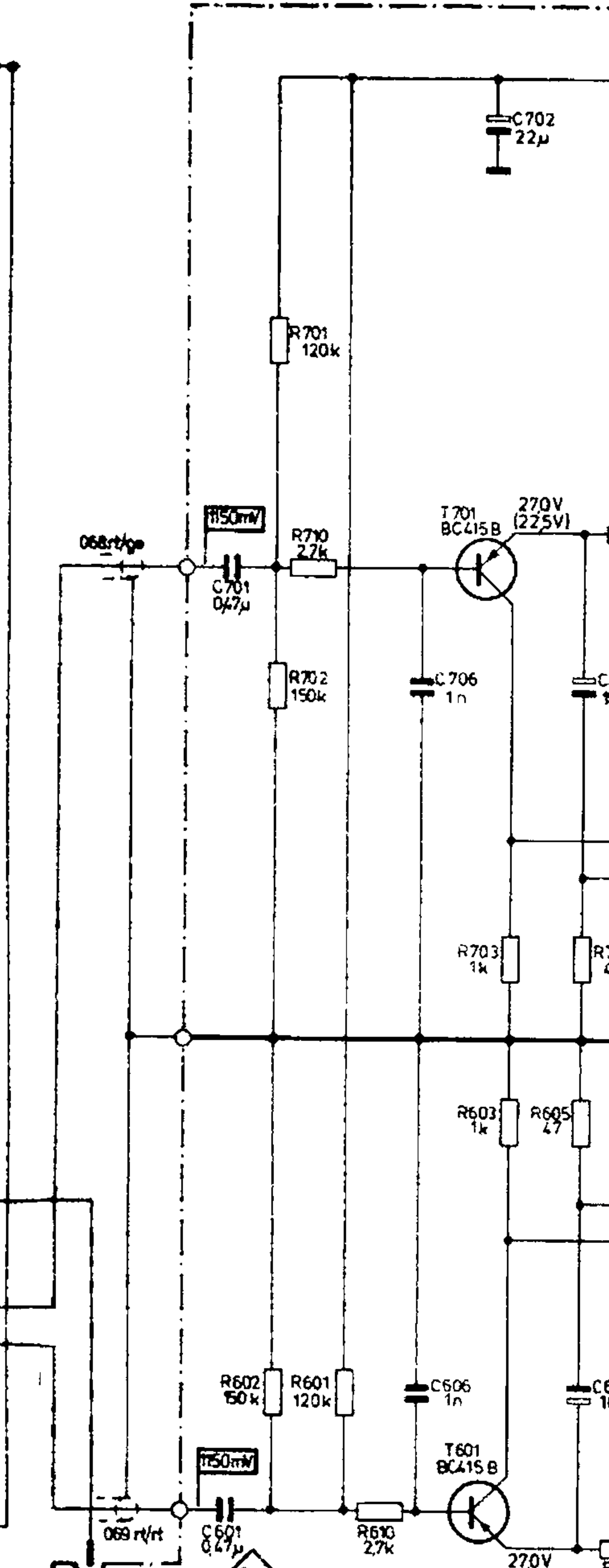
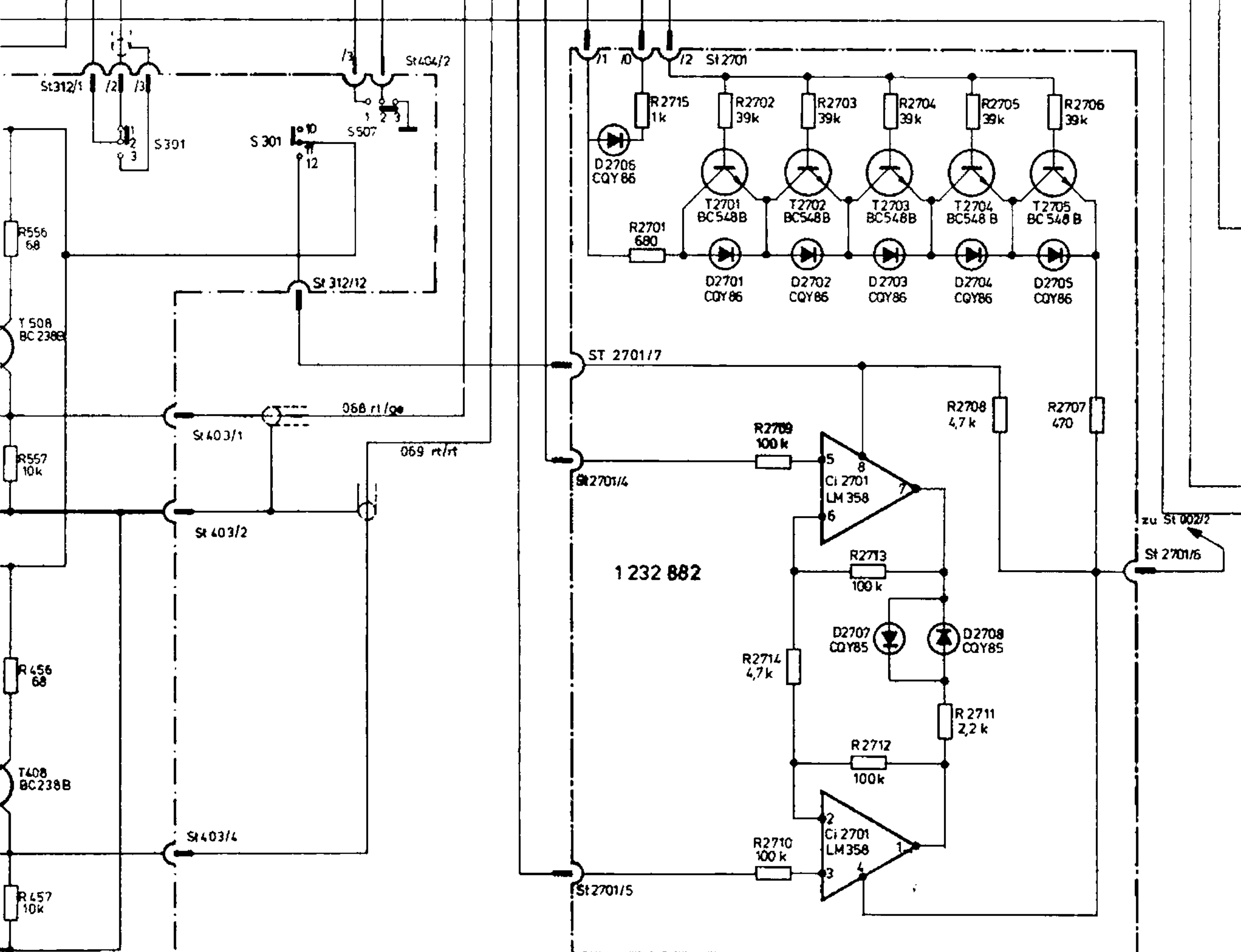
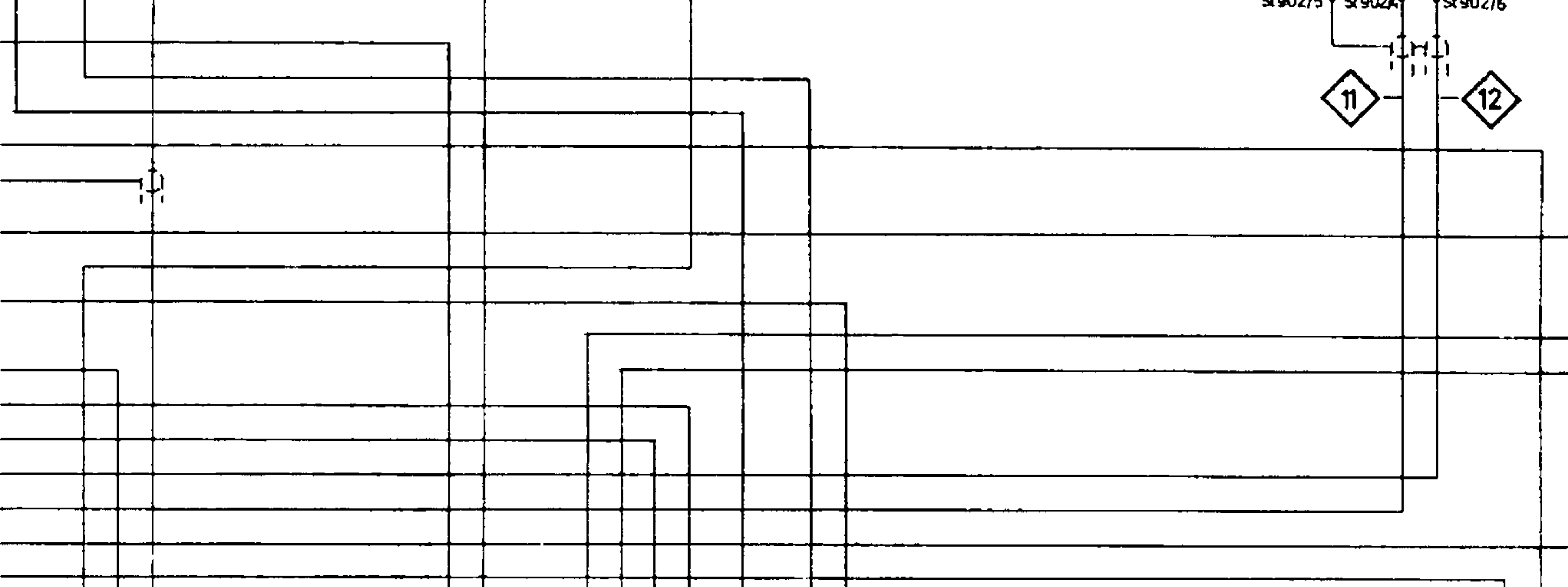
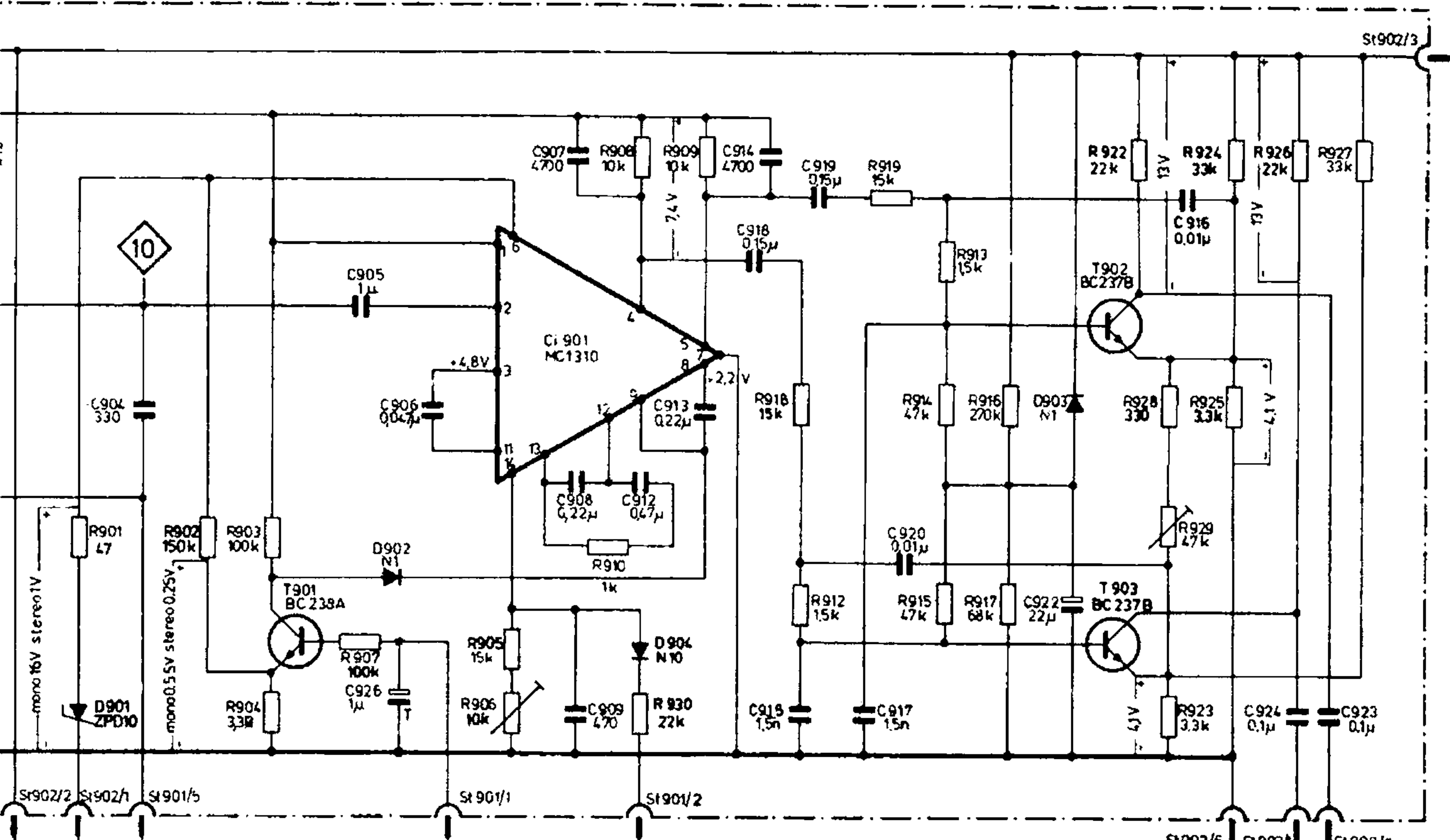


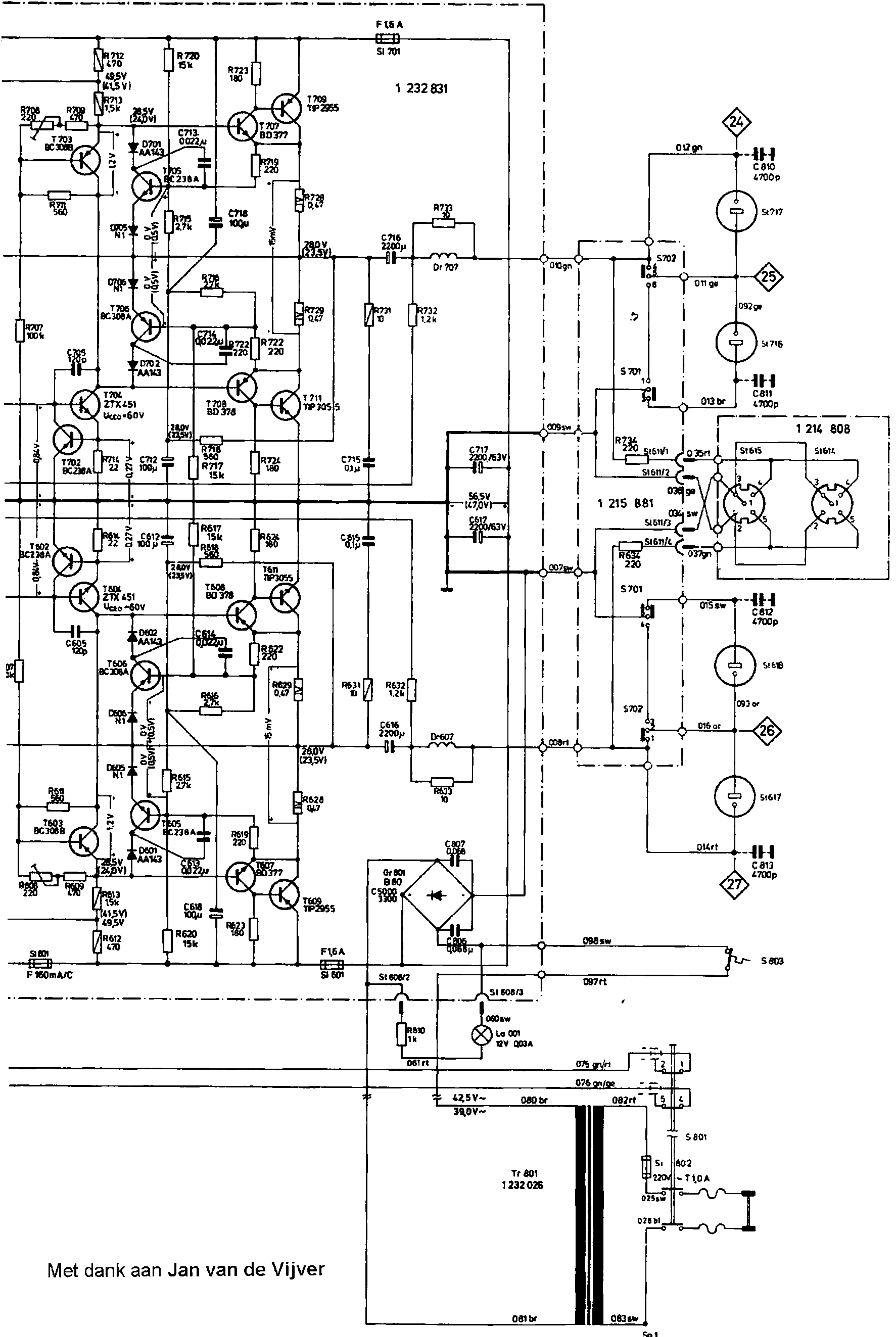
BRAUN regie 528

1 232 865









Met dank aan Jan van de Vijver

Änderungen vorbehalten!
 Subject to modification without notice!

Lageplan

Component location

