

Braun Super Piccolino 52 B

Ned. Ver. v. Historie v/d Radio

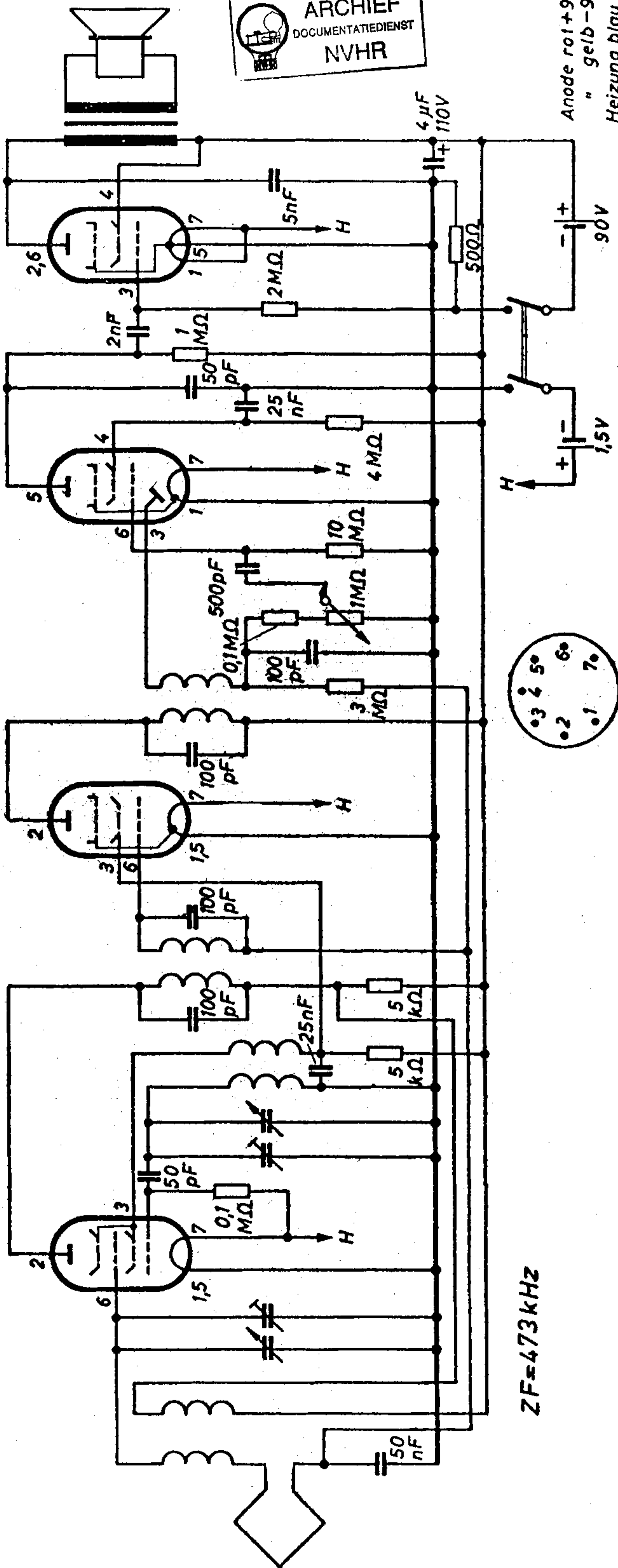


DL92
N17
3S4

DAF91
ZD17
1S5

DF91
W17
1T6

DK91
X17
1R5



Sockelschaltung

Anode rot +90V
" gelb -90V
Heizung blau -1,5V
" grün +1,5V

ZF=473kHz