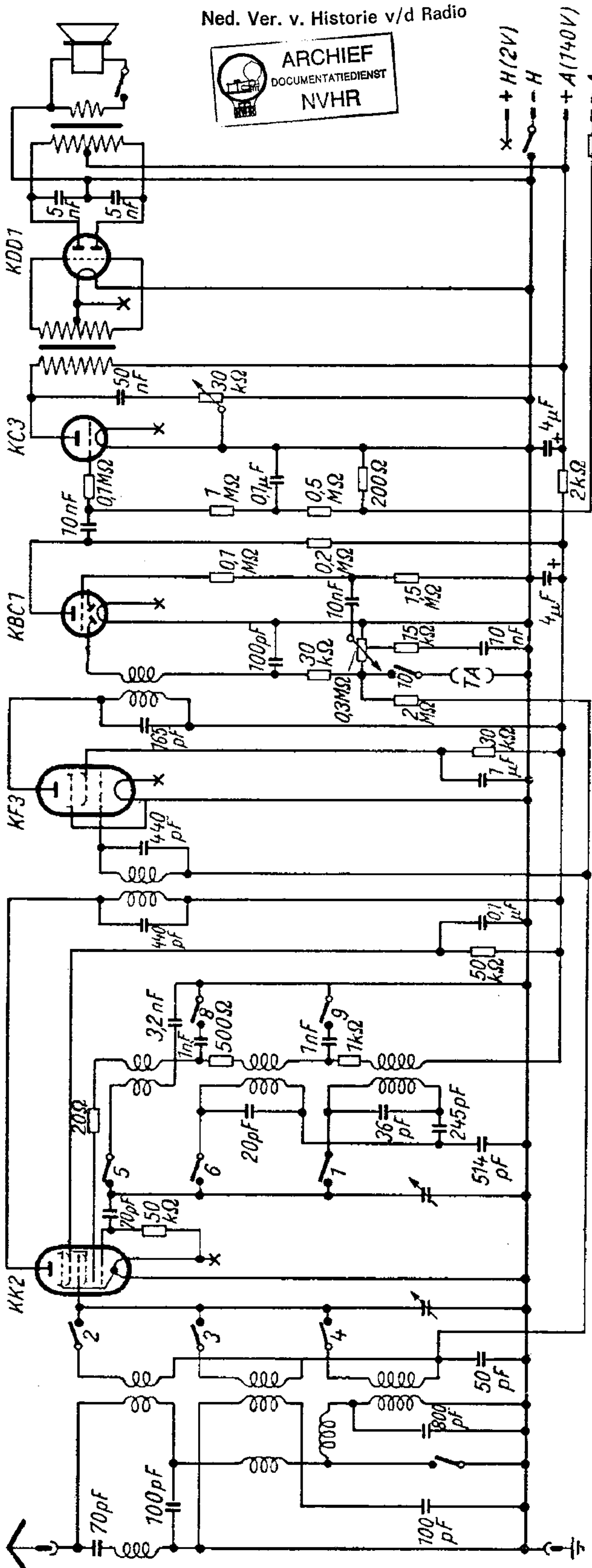
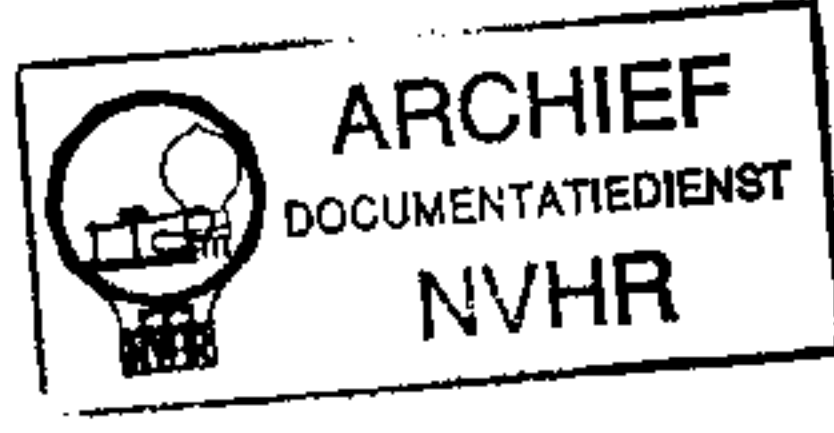


Braun BS 40

Ned. Ver. v. Historie v/d Radio



Schalter	1	2	3	4	5	6	7	8	9	10
Kurz										
Mittel										
Lang										
TA										

ZF = 488 kHz

+ H (2V)
- H
+ A (140V)
- A
65mA