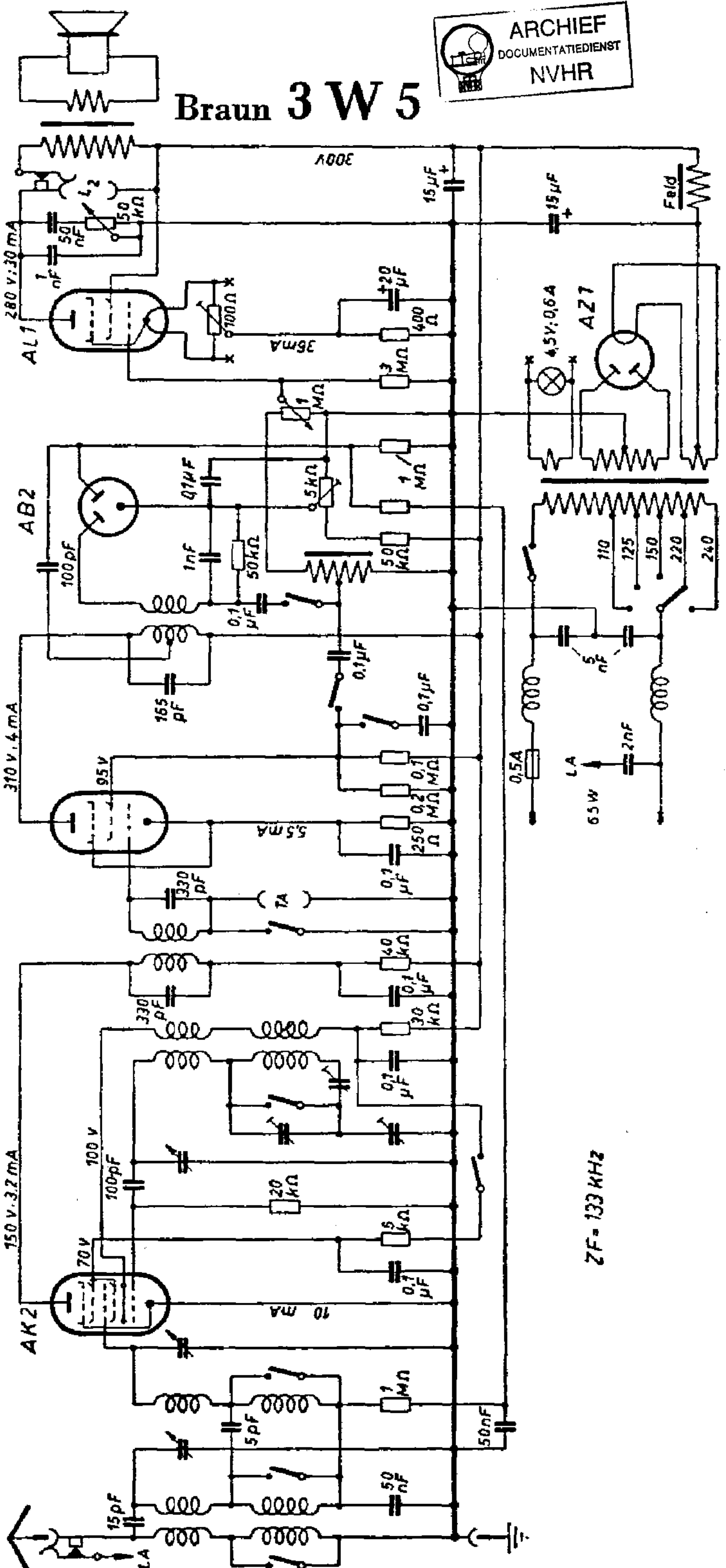


# Braun 3 W 5



ZF = 133 KHZ