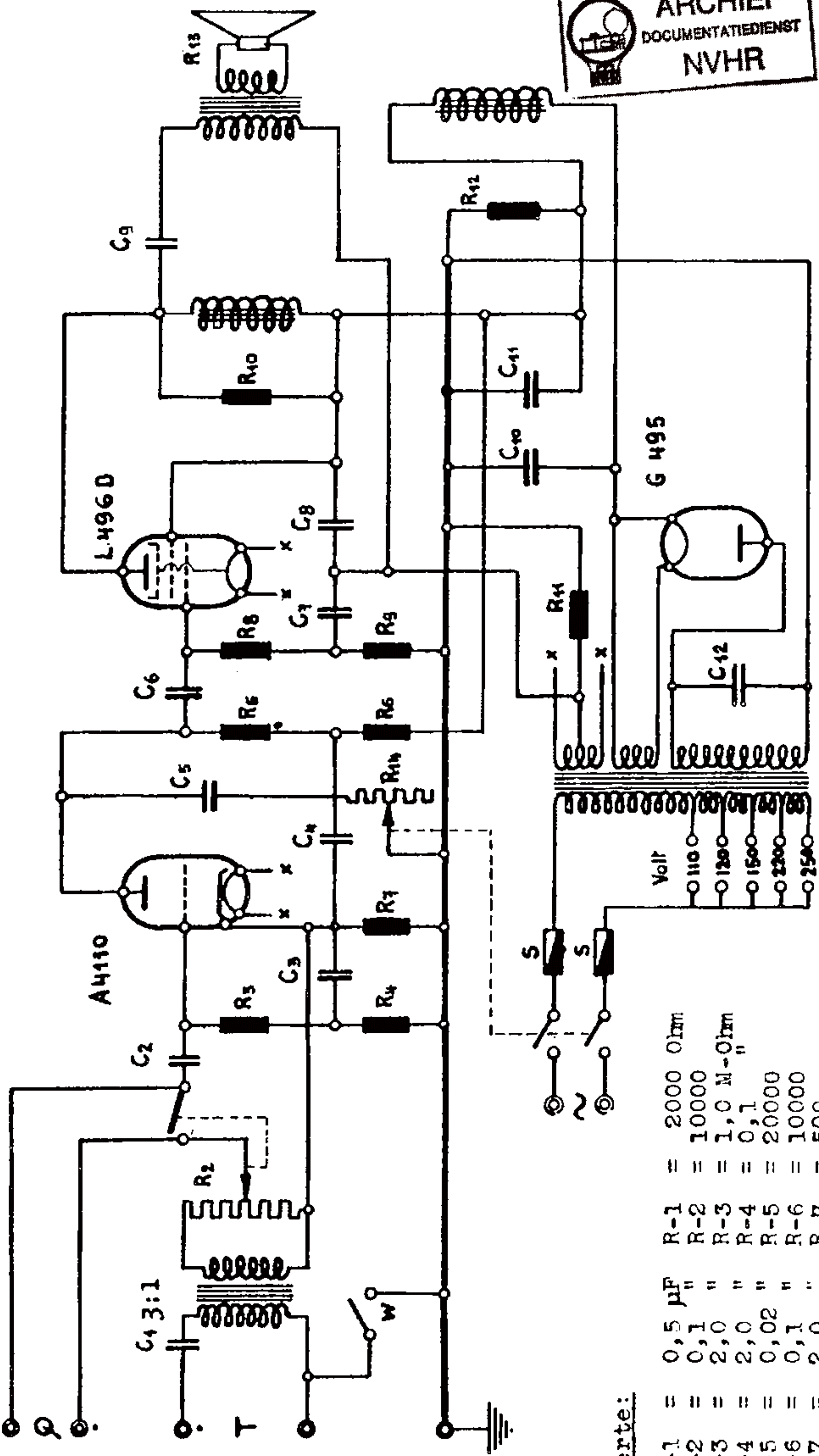
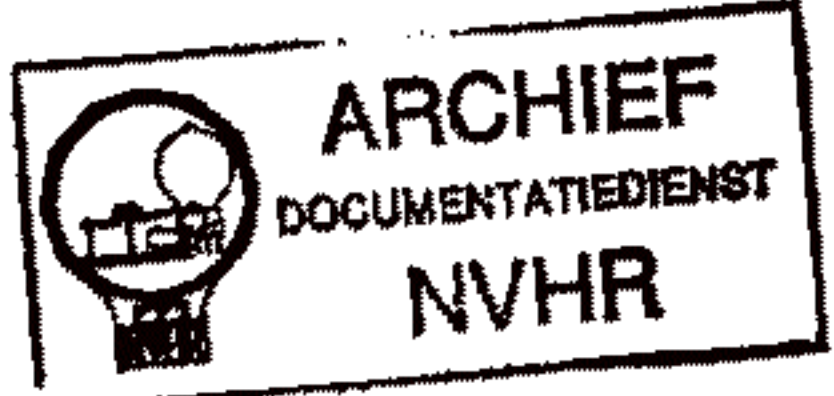


Met dank aan Bjarne Stridsberg



Werte:

C-1	=	0,5	μF	R-1	=	2000	Ohm
C-2	=	0,1	"	R-2	=	10000	"
C-3	=	2,0	"	R-3	=	1,0	M-Ohm
C-4	=	2,0	"	R-4	=	0,1	"
C-5	=	0,02	"	R-5	=	20000	"
C-6	=	0,1	"	R-6	=	10000	"
C-7	=	2,0	"	R-7	=	500	"
C-8	=	2,0	"	R-8	=	0,5	M-Ohm
C-9	=	0,22	"	R-9	=	0,1	"
C-10	=	4,0	"	R-10	=	50000	"
C-11	=	4,0	"	R-11	=	500	"
C-12	=	0,1	"	R-12	=	30000	"
				R-13	=	2,3	(Imp.b. 1000 H.)
				R-14	=	20000	"

# BIENNOFON 52 W