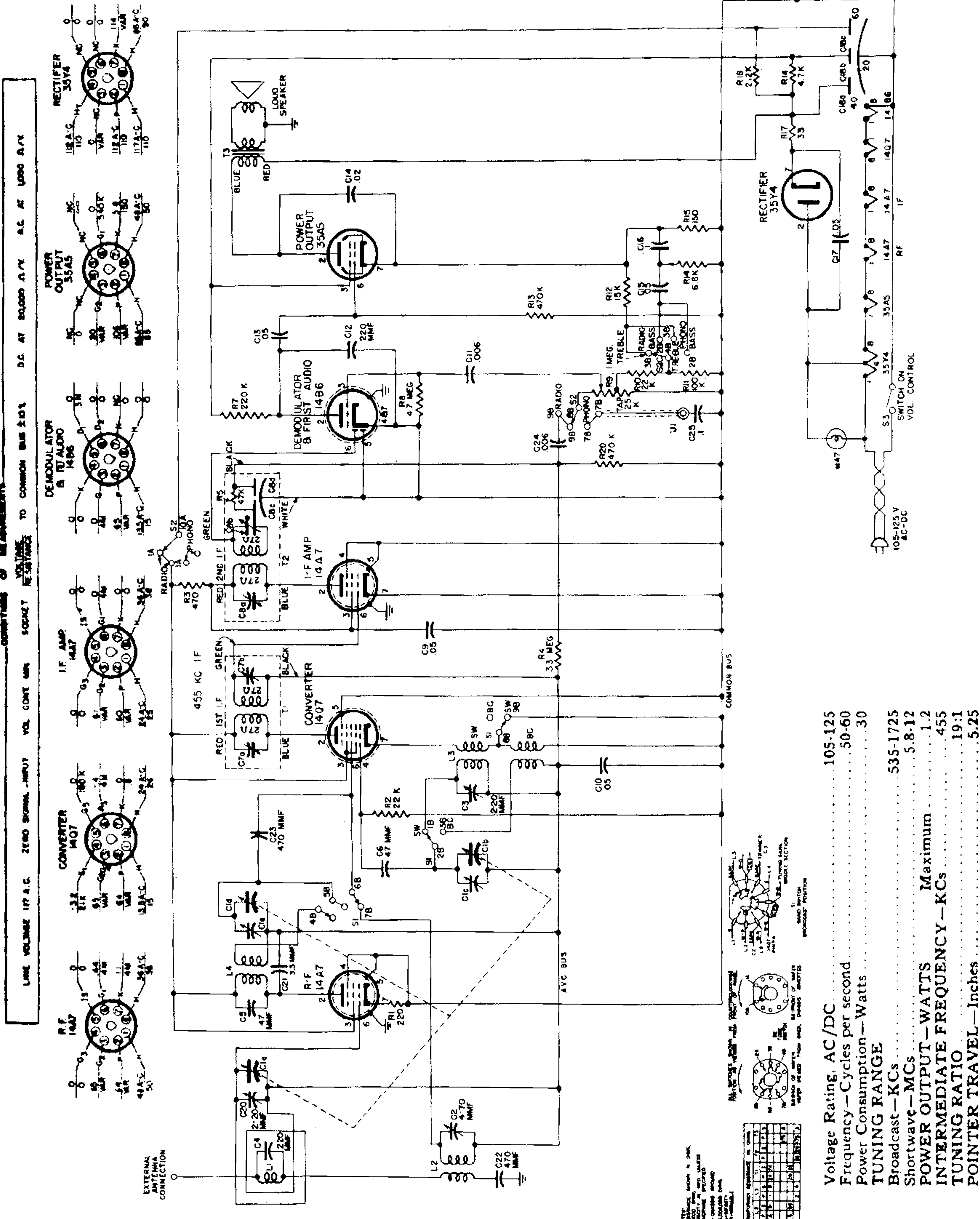
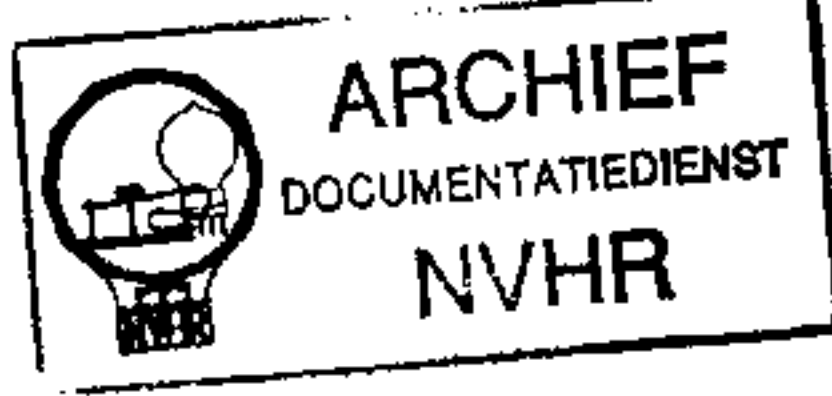


BENDIX RADIO DIV.

MODEL 626-A

Ned. Ver. v. Historie v/d Radio



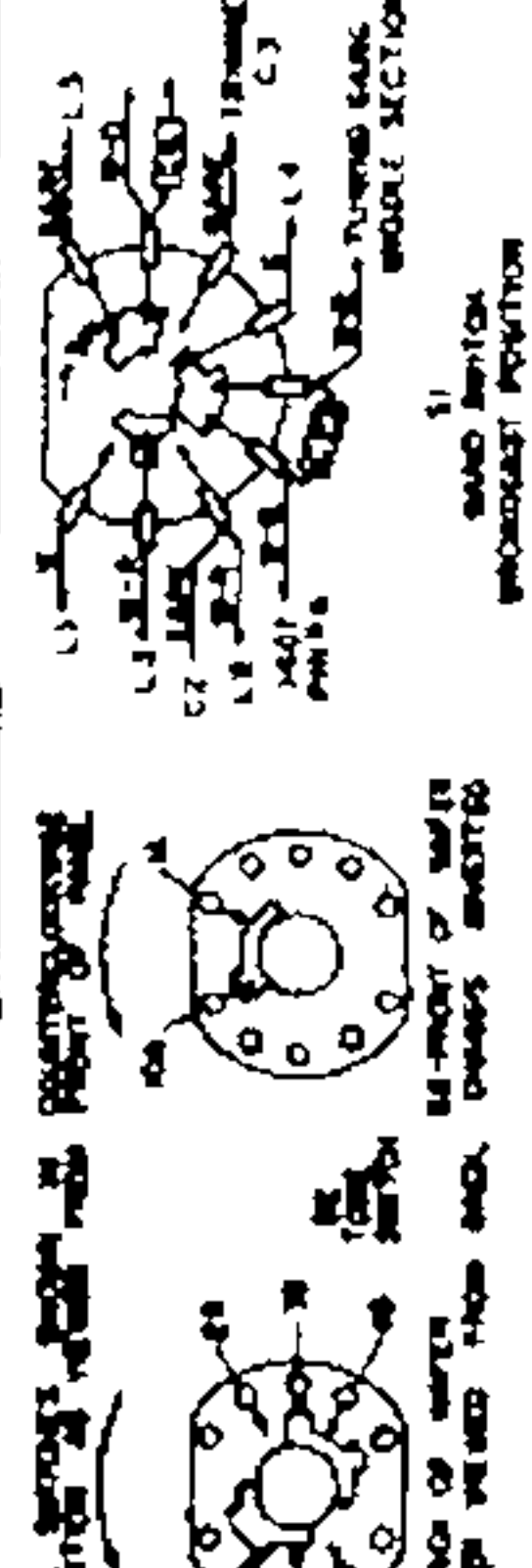
COMPARISON OF MEASUREMENTS

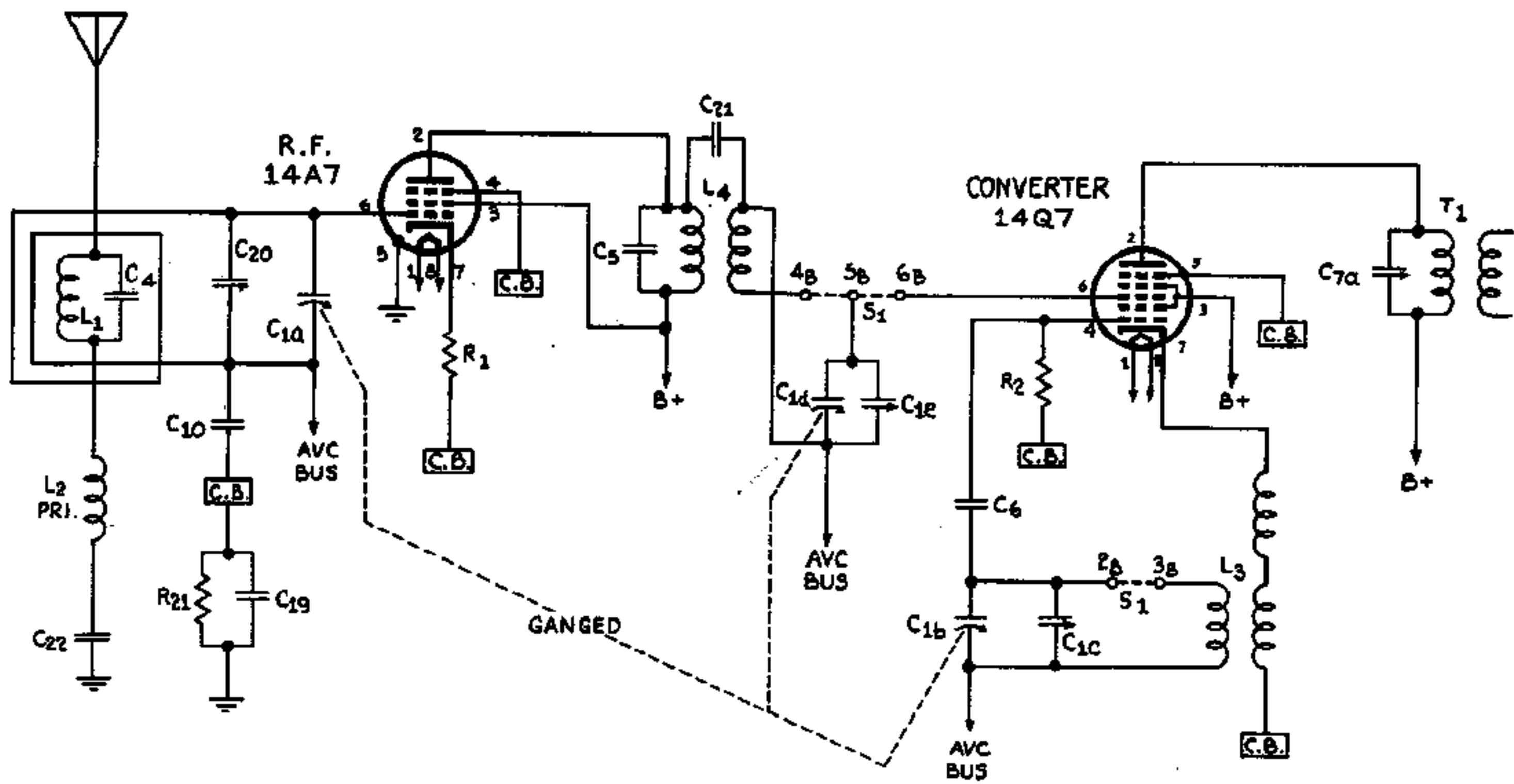
| LINE VOLTAGE 117 A.C. | ZERO SIGNAL INPUT | VOL. CONT. MIN. | SOCKET VOL. CONT. RESISTANCE | D.C. AT 20,000 A.M. | A.C. AT 1,000 A.M. |
|-----------------------|-------------------|-----------------|------------------------------|---------------------|--------------------|
| R.F. 14A7 | IF AMP. 14A7 | CONVERTER 14O7 | DEMODULATOR & 1ST AUDIO 1486 | POWER OUTPUT 35A5 | RECTIFIER 35Y4 |

NOTES: RESISTORS SHOWN IN OHMS, CAPACITORS IN MICROFARADS UNLESS OTHERWISE SPECIFIED. $\frac{1}{2}$ CHARLES BRONKHORST COMPANY, PHILADELPHIA, PA. ALL DIMENSIONS IN INCHES UNLESS OTHERWISE SPECIFIED.

| REFERENCE | SYMBOL | VALUE |
|-----------|--------|---------|
| L1 | COIL | 2.20 M |
| L2 | COIL | 4.70 M |
| L3 | COIL | 0.000 |
| L4 | COIL | 0.000 |
| C1 | CAP. | 0.001 |
| C2 | CAP. | 4.70 M |
| C3 | CAP. | 2.20 M |
| C4 | CAP. | 0.001 |
| C5 | CAP. | 0.001 |
| C6 | CAP. | 0.001 |
| C7 | CAP. | 0.001 |
| C8 | CAP. | 0.001 |
| C9 | CAP. | 0.001 |
| C10 | CAP. | 0.001 |
| C11 | CAP. | 0.001 |
| C12 | CAP. | 0.001 |
| C13 | CAP. | 0.001 |
| C14 | CAP. | 0.001 |
| C15 | CAP. | 0.001 |
| C16 | CAP. | 0.001 |
| C17 | CAP. | 0.001 |
| C18 | CAP. | 0.001 |
| C19 | CAP. | 0.001 |
| R1 | RES. | 220 K |
| R2 | RES. | 22 K |
| R3 | RES. | 470 |
| R4 | RES. | 3.3 MEG |
| R5 | RES. | 47 MEG |
| R6 | RES. | 4.7 MEG |
| R7 | RES. | 220 K |
| R8 | RES. | 4.7 MEG |
| R9 | RES. | 1 MEG |
| R10 | RES. | 100 K |
| R11 | RES. | 100 K |
| R12 | RES. | 15 K |
| R13 | RES. | 470 K |
| R14 | RES. | 6.8 K |
| R15 | RES. | 150 |
| R16 | RES. | 2.2 K |
| R17 | RES. | 33 |
| R18 | RES. | 2.2 K |
| R19 | RES. | 2.2 K |
| R20 | RES. | 470 K |
| R21 | RES. | 220 K |

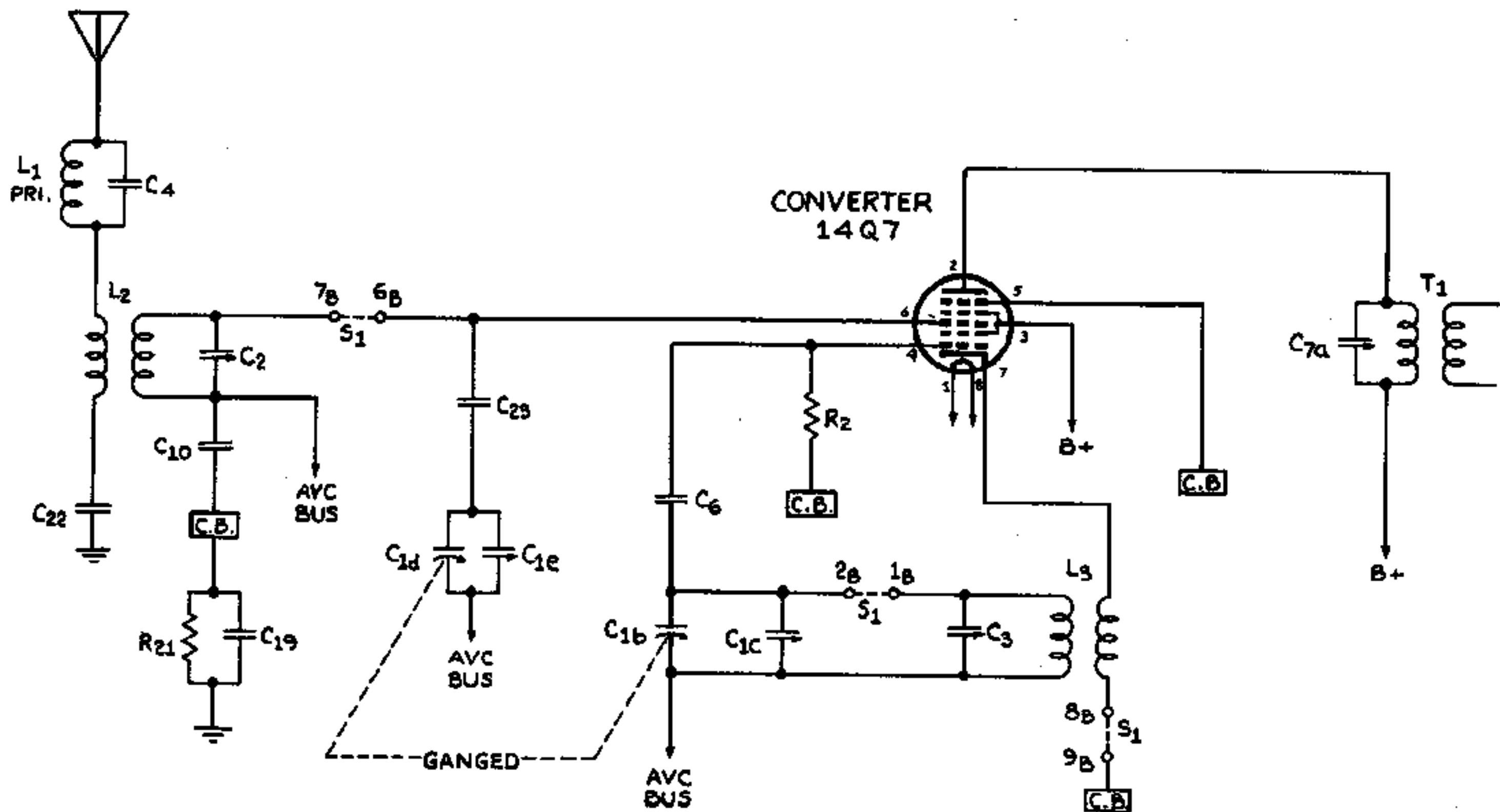
| | |
|-----------------------------|----------|
| Voltage Rating, AC/DC | 105-125 |
| Frequency—Cycles per second | 50-60 |
| Power Consumption—Watts | 30 |
| TUNING RANGE | |
| Broadcast—KCs | 535-1725 |
| Shortwave—MCs | 5.8-12 |
| POWER OUTPUT—WATTS | Maximum |
| INTERMEDIATE FREQUENCY—KCs | 455 |
| TUNING RATIO | 19:1 |
| POINTER TRAVEL—Inches | 5.25 |





BAND-SWITCH SHOWN AT 1ST POSITION. BROADCAST BAND 535-1725 KC.

C.B. DENOTES COMMON BUS ABOVE GROUND BY R₂₁(220k) & C₁₉ (.1μf)



BAND-SWITCH SHOWN AT 2ND POSITION. SHORT WAVE BAND 5.8-12 MC.

C.B. DENOTES COMMON BUS ABOVE GROUND BY R₂₁ (220k) & C₁₉ (.1μf)

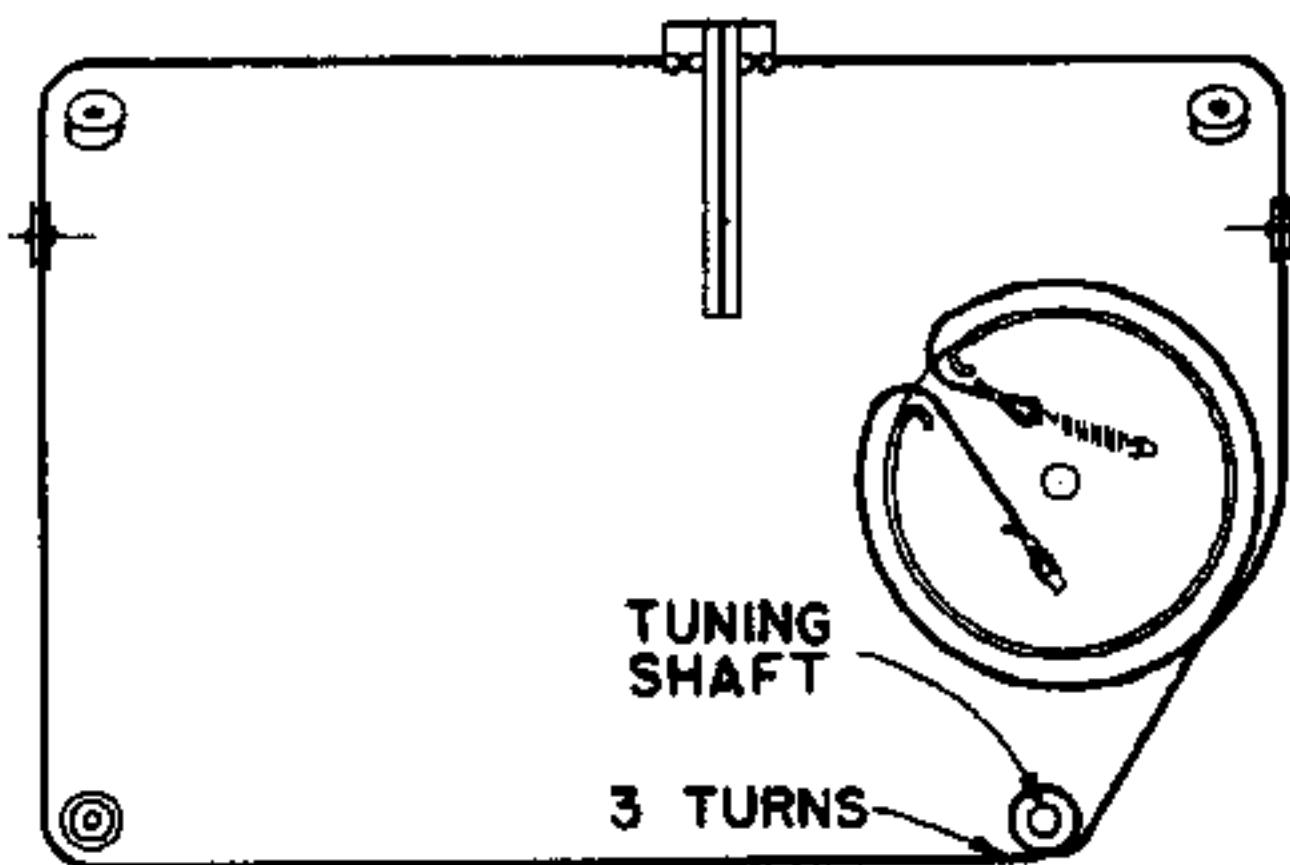
BENDIX RADIO DIV.

MODEL 626-A

| Stock No. | Description | List Price |
|------------------------------|---|------------|
| ELECTRICAL COMPONENTS | | |
| AL0C01* | ANTENNA—Loop (L1) | 2.60 |
| CC9A16† | CAPACITOR—Ceramic 3.3 mmf. (C21) | .05 |
| CE3A00 | CAPACITOR—Electrolytic 40, 20, 60 | |
| CE3A00† | CAPACITOR—Electrolytic 40, 20, 60 mfd. (C18a, C18b, C18c) | 1.86 |
| CL2A01† | CORD—AC Power | .42 |
| CM5A14† | CAPACITOR—Mica 47 mmf. (C5, C6) | .18 |
| CM5A30† | CAPACITOR—Mica 220 mmf. (C4, C12) | .22 |
| CM5A38† | CAPACITOR—Mica 470 mmf. (C22) | .21 |
| CM8S50† | CAPACITOR—Mica 470 mmf. 3% (C23) | .47 |
| CP4T20 | CAPACITOR—Paper 400 V .006 mfd. (C11, C24) | .14 |
| CP4T34† | CAPACITOR—Paper 400V .02 mfd. (C14) | .14 |
| CP4T40† | CAPACITOR—Paper 400V .05 mfd. (C9, C10, C13, C15, C17) | .16 |
| CP4T51† | CAPACITOR—Paper 400V .1 mfd. (C16, C19, C25) | .18 |
| CT2A00 | CAPACITOR—Trimmer (C2 4-70 mmf., C3 2-20 mmf.) | .46 |
| CV0C00 | CAPACITOR—Variable, 3 gang (C1a, C1b, C1c, C1d, C1e) | 7.91 |
| LO6H00 | COIL—Oscillator (L3) | 1.61 |
| RC1H16† | RESISTOR—220 ohms 1/4 W Comp. (R1) | .04 |
| RC1H20† | RESISTOR—470 ohms 1/4 W Comp. (R3) | .04 |
| RC1H32† | RESISTOR—4700 ohms 1/4 W Comp. (R19) | .04 |
| RC1H34† | RESISTOR—6800 ohms 1/4 W Comp. (R14) | .04 |
| RC1H38† | RESISTOR—15000 ohms 1/4 W Comp. (R12) | .06 |
| RC1H40† | RESISTOR—22000 ohms 1/4 W Comp. (R2, R10) | .04 |
| RC1H44† | RESISTOR—47000 ohms 1/4 W Comp. (R5) | .04 |
| RC1H51† | RESISTOR—100000 ohms 1/4 W Comp. (R11) | .04 |
| RC1H54† | RESISTOR—220,000 ohms 1/4 W Comp. (R7, R21) | .04 |
| RC1H58† | RESISTOR—470,000 ohms 1/4 W Comp. (R13, R10) | .04 |
| RC1H68† | RESISTOR—3.3 meg. 1/4 W Comp. (R4) | .04 |
| RC1H70† | RESISTOR—4.7 meg. 1/4 W Comp. (R8) | .04 |
| RC4G28† | RESISTOR—2200 ohms 2W Comp. (R18) | .14 |
| RV4S00† | POTENTIOMETER—1 meg. with Switch (R9, S3) | .92 |
| RW1A06† | RESISTOR—33 ohms WW 1W (R17) | .14 |
| RW1B28† | RESISTOR—150 ohms WW 1W (R15) | .08 |
| SO0D01 | SOCKET—Dial Lamp | .23 |
| SO9S00† | SOCKET—Loctal Tube | .19 |
| SR2C01 | SWITCH—Rotary 2 Pos. 3 Pole (S1) | .70 |
| SR4C00† | SWITCH—Rotary 4 Pos. 3 Pole (S2) | .84 |
| T10C01† | TRANSFORMER IF—1st (T1) | 3.75 |
| T10D01† | TRANSFORMER IF—2nd (T2) | 2.65 |
| TR6D00 | TRANSFORMER RF—Shortwave (L2) | 1.26 |
| TR6L00† | TRANSFORMER BC—RF Interstage (L4) | 3.75 |
| #47† | LAMP—Pilot | .09 |

| Stock No. | Description | List Price |
|--|---|------------|
| ELECTRICAL COMPONENTS (continued) | | |
| JR1800† | JACK—Receptacle, 1 Contact, Phono Jack (J1) | .06 |
| SPEAKER AND COMPONENTS | | |
| SP400† | SPEAKER—Oval PM (4 x 6) | 5.70 |
| CS4000† | CONE & VOICE COIL ASS'Y.—Code 252 | |
| CS4001† | CONE & VOICE COIL ASS'Y.—Code 328 | |
| CS4002† | CONE & VOICE COIL ASS'Y.—Code 270 | |
| CS4006† | CONE & VOICE COIL ASS'Y.—Code 191 | |
| CS4007† | CONE & VOICE COIL ASS'Y.—Code 371 | |
| TA0001† | TRANSFORMER—Output (T3) | .96 |
| MECHANICAL COMPONENTS | | |
| AD0C00 | ASSEMBLY—Dial Back Plate | 1.04 |
| BT1S00† | BOARD—Terminal Strip 1 Lug 1 Mt. | .03 |
| BT2S00 | BOARD—Terminal Strip 2 Lugs 1 Mt. | .02 |
| BT4S01† | BOARD—Terminal Strip 4 Lugs 1 Mt. | .05 |
| CD0C02 | CABLE—Dial | .17 |
| GR0S00† | GROMMET—Shockmount Rubber | .04 |
| HC0C00† | CLIP—Coil Mtg. | .65/c |
| HC0C02† | CLIP—Coil Mtg. | .90/c |
| HC0C03† | CLAMP—Cable (Dial) | .43/c |
| HC0S00† | CLIP—Tuning Shaft Spring | .01 |
| HC0T00† | CLAMP—Tube Shield | .01 |
| HN9P45† | PALNUT—3/8 x 32 | .60/c |
| HR0F00† | RIVET—Plain 13/64 x 121 | .40/c |
| HR0P01† | RIVET—Plain .088 x 1/8 | .40/c |
| HR0S01† | RIVET—Shoulder .171 x .118, .083 x .088 | .02 |
| HS0C00† | SPRING—Dial Cable | .04 |
| HS0P01† | SPACER—Antenna, Wood | .01 |
| HS6F00† | SLEEVE & SPACER—Tuning Capacitor | .02 |
| ID0M06† | INDICATOR—Metal, Dial | .28 |
| IT0C01 | INSULATOR—Elec. Cap. Tube | .04 |
| IW0F00† | INSULATOR—Felt Washer | .20/c |
| MB0B00† | BEARING—Bushing (Tuning Shaft) | .18 |
| MP0F00† | PULLEY—Fiber (Idler) | .02 |
| MS0T02† | SHAFT—Tuning | .15 |
| PI0P01† | PLATE—Insulating, Power Cord | .01 |
| SM0T00† | SHIELD—Metal, Tube | .05 |
| CABINET COMPONENTS | | |
| DS0C01 | DIAL—Scale | .77 |
| GC0D02 | GASKET—Dial, Cork Strip | .09 |
| HC0D00 | CLIP—Dial (Metal) Retainer R.H. | .04 |
| HC0D01† | CLIP—Dial Retainer (Metal) L.H. | .03 |
| HC0S09 | CLIP—Spring, Knob, Band Switch | .01 |
| HK0R00† | CLIP—Spring, Knob | .01 |
| IT0F00 | INSULATOR—Flexible Tubing | .08/ft. |
| KB0B03 | KNOB—Indexed, Tan | |
| KC0B08 | KNOB—Plain, Tan | |
| KY0B00 | KNOB—Brown, Band Switch | .31 |
| ZP0I00 | CABINET—Ivory, Plastic | |

*Subject to excise tax /c—Price per hundred Prices subject to change without notice †Used on previous models PRINTED IN U.S.A.



Adjust pointer 2 in. from left end with tuning gang fully meshed

Make adjustments in table for maximum output with output meter connected across voice coil. Always keep input as low as possible for perceptible output.

PRECAUTIONS

An isolating transformer should be used between the power supply and the receiver if any of the test equipment is AC operated. The use of isolating capacitors is not recommended as AC through the capacitor may introduce hum modulation, and if the capacitors should break down the test instruments will likely be damaged.

| CIRCUIT | CONTROL POSITIONS | APPLY THRU | TO | ADJ |
|------------|----------------------------------|------------|----------------------------------|---------------------------------|
| I.F. | Volume—Maximum | 455 KC | Grid 14A7 | C8b |
| | Tone—Treble | | | C8a |
| Broadcast | Band Switch—Broadcast | 1475 KC | I.F. Amp. Grid 14Q7 | C7b |
| | Tuning Condenser—Fully Open | | | C7a |
| Short Wave | Pointer 4 3/8 in. from left end. | 11 MC | 400 ohms in series with .01 mfd. | External Antenna Connection C1c |
| | | | | External Antenna Connection C2 |

