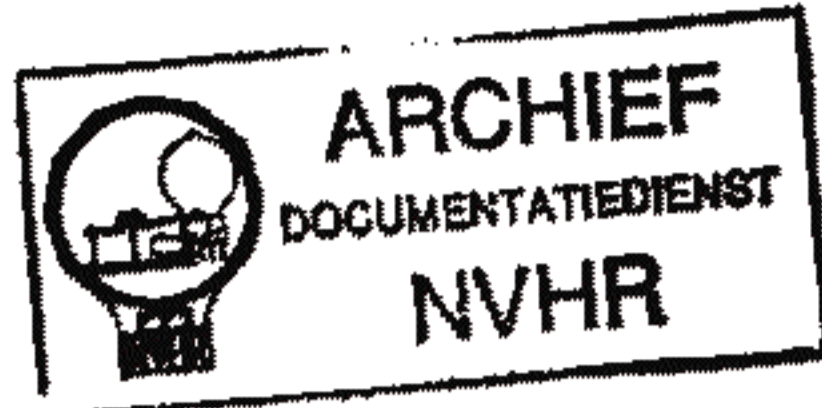


**MODEL 636, Series A**  
**Schematic, Voltage**  
**Socket, Trimmers, Alignment**

**BELMONT RADIO CORP.**

Ned. Ver. v. Historie v/d Radio



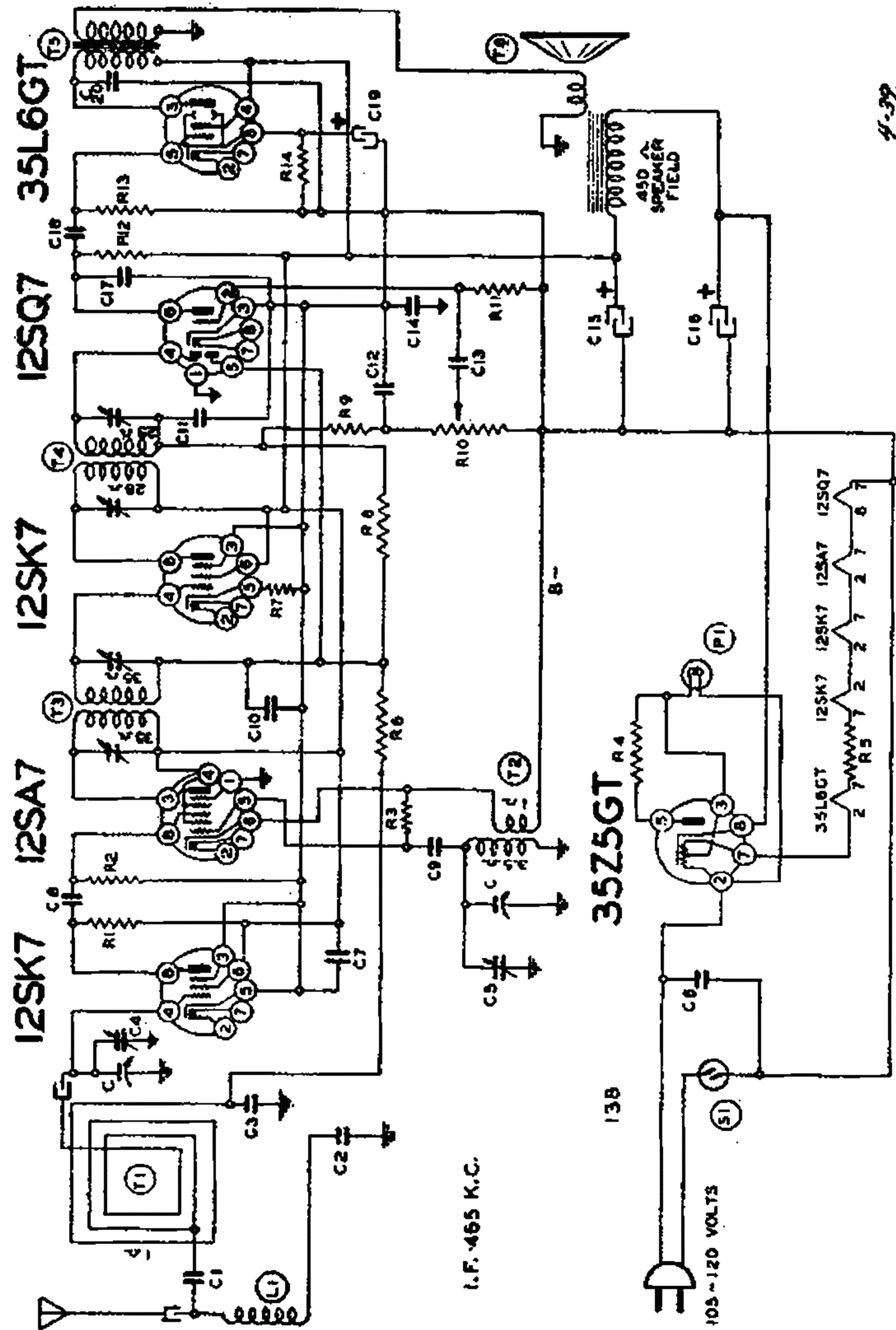
**RESISTORS**

R1	130218	5M ohm—1/3 w.
R2	13020	100M ohm—1/3 w.
R3	130176	20M ohm—1/3 w.
R4	130295	25 ohm—1 watt
R5	130295	25 ohm—1 watt
R6	130100	150M ohm—1/3 w.
R7	130203	40 ohm—1/3 w.
R8	1304	3 megohm—1/3 w.
R9	13012	50M ohm—1/3 w.
R10	101127	1 megohm volume control
R11	130257	5 megohm—1/3 w.
R12	13011	250M ohm—1/3 w.
R13	1303	500M ohm—1/3 w.
R14	130166	150 ohm—1/3 w.

**CONDENSERS**

C	102104B	2 gang variable condenser
C1	12951	.000125 Mica
C2	12912	.00025 Mica
C3	10026	.02 x 400 v.
C4		Antenna Trimmer on gang
C5		Oscillator trimmer on gang
C6	1001	.1 x 400 v.
C7	1006	.25 x 200 v.
C8	1295	.0001 Mica
C9	1295	.0001 Mica
C10	1009	.05 x 200 v.
C11	1295	.0001 Mica
C12	1295	.0001 Mica
C13	10012	.003 x 600 v.
C14	100110	.2 x 400 v.
C15	11953E	30 mfd. lytic—150 w. v.
C16	11953E	30 mfd. lytic—150 w. v.
C17	1295	.0001 Mica
C18	10078	.01 x 200 v.
C19	11953E	40 mfd.—25 w. v. lytic
C20	10026	.02 x 400 v.

4-39



I.F. 465 K.C.

35Z5GT

- 1—Type 12SK7 R. F. Amplifier.
- 1—Type 12SA7 Mixer, First Detector-oscillator.
- 1—Type 12SK7 I. F. Amplifier.
- 1—Type 12SQ7 Second Detector, A.V.C. and First Audio.
- 1—Type 35L6GT Beam Output Amplifier.
- 1—Type 35Z5GT High Vacuum Rectifier.

I.F. 465 KC

**BOTTOM VIEW OF CHASSIS**

VOLTAGES MEASURED WITH 1000 OHM PER VOLT VOLTMETER BETWEEN SOCKET TERMINALS AND P.P. SHIELD IN SERIES.

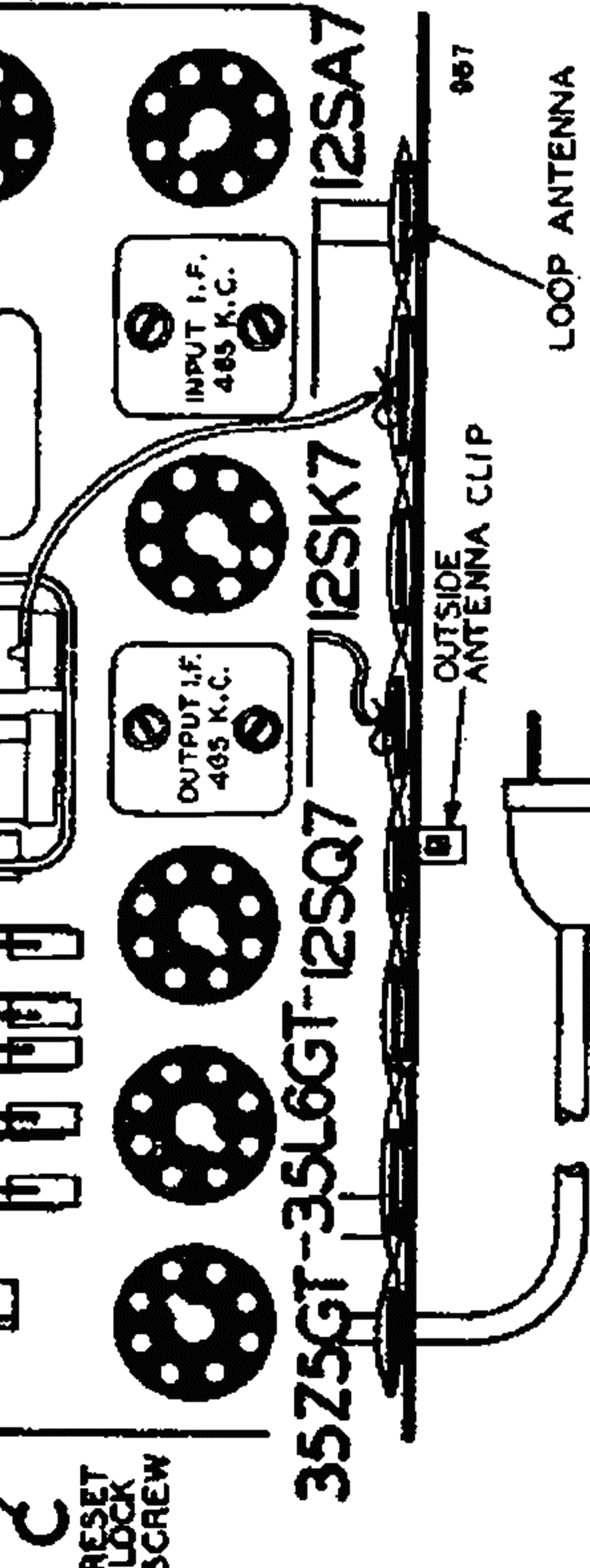
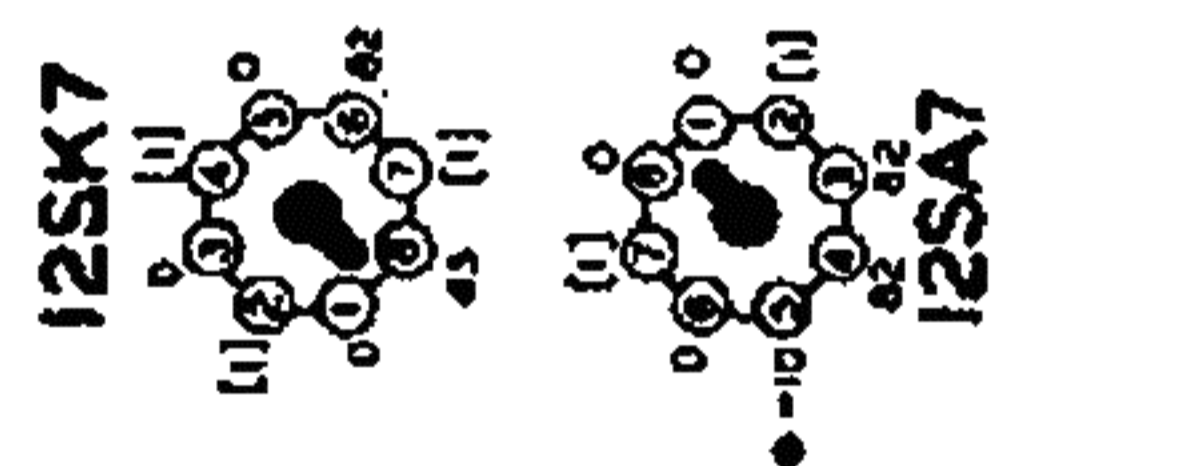


FIG. 1—TOP VIEW

**PARTS**

T1	111139	Loop Antenna
T2	110128	Oscillator Coil
T3	108140F	Input I. F. Coil
T4	108145B	Output I. F. Coil
T5	10588B	Output Transformer
T6	114116G	5" Dynamic Speaker (450 ohm field)
L1	1237	Antenna Loading Coil
P1	107249	6-8 volt. Pilot light - T.47
SI		Off-on Switch on Volume Control

**For alignment procedure, see instructions for Belmont Model 635, Series A.**

**MODEL 636, Series B**  
**Schematic, Voltage**  
**Socket, Trimmers**  
**Alignment**

**BELMONT RADIO CORP.**

**RESISTORS**

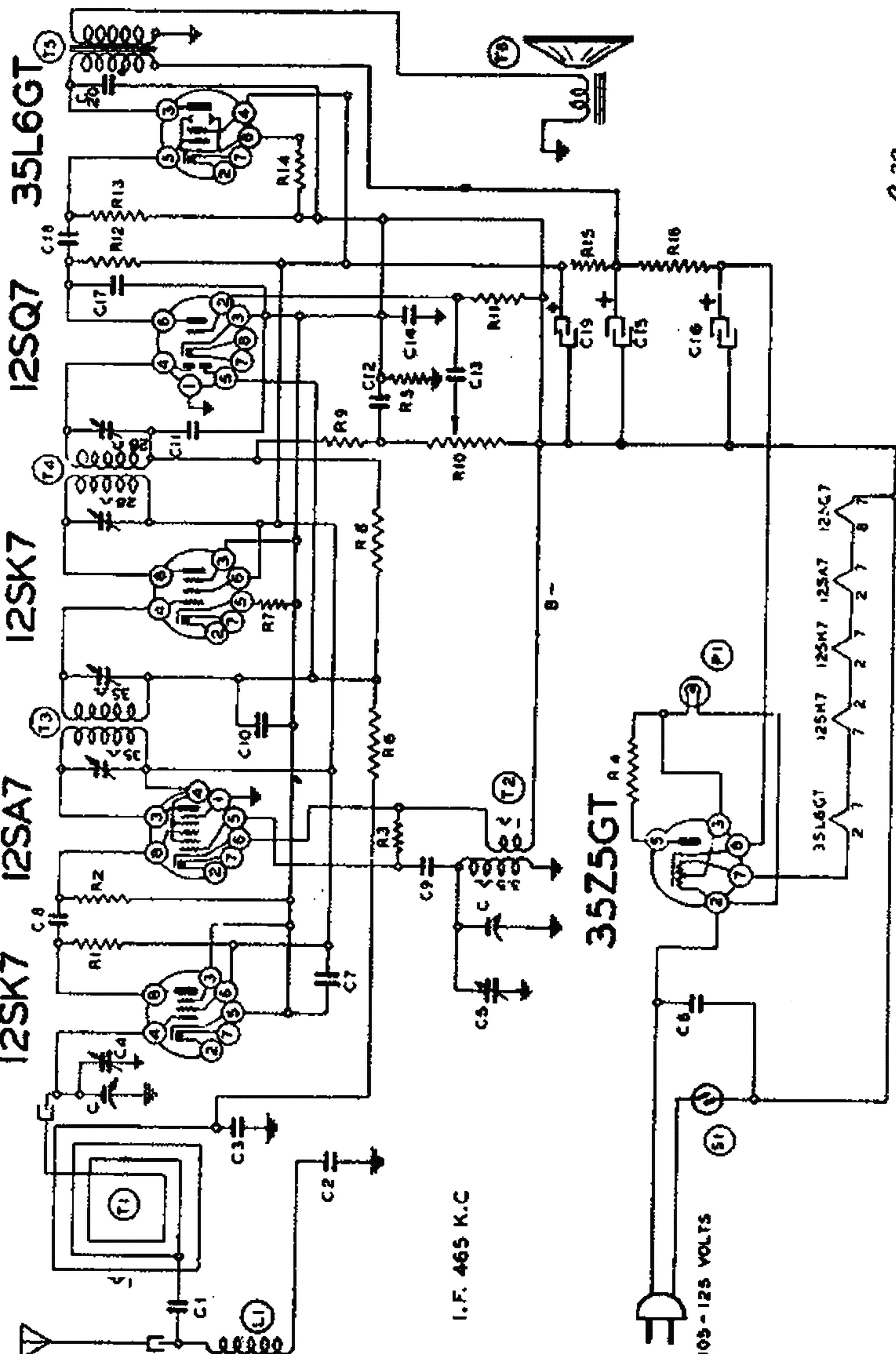
R1	130218	5M ohm—1/8 W.
R2	13020	100M ohm—1/8 W.
R3	13094	50M ohm—1/8 W.
R4	130295	25 ohm—1 watt
R5	130100	150M ohm—1/8 W.
R6	130100	150M ohm—1/8 W.
R7	130293	40 ohm—1/8 W.
R8	1304	3 megohm—1/8 W.
R9	13012	50M ohm—1/8 W.
R10	101127	1 megohm volume control
R11	130257	5 megohm—1/8 W.
R12	13011	250M ohm—1/8 W.
R13	1303	500M ohm—1/8 W.
R14	130166	150 ohm—1/8 W.
R15	130287	1200 Ohm—1 Watt
R16	130296	200 Ohm—1 Watt

**CONDENSERS**

C	2 gang variable condenser
C1	.000125 Mica
C2	.0006 Mica
C3	.02 x 400 V.
C4	Antenna Trimmer on gang
C5	Oscillator trimmer on gang
C6	.1 x 400 V.
C7	.25 x 200 V.
C8	.0001 Mica
C9	.0001 Mica
C10	.05 x 200 V.
C11	.0001 Mica
C12	.0001 Mica
C13	.003 x 600 V.
C14	.2 x 400 V.
C15	20 mfd. lytic—150 W. V.
C16	40 mfd. lytic—150 W. V.
C17	.0001 Mica
C18	.01 x 200 V.
C19	20 mfd.—150 V. lytic
C20	.02 x 400 V.

C15, C16, and C19 in same unit

I.F. 465 KC



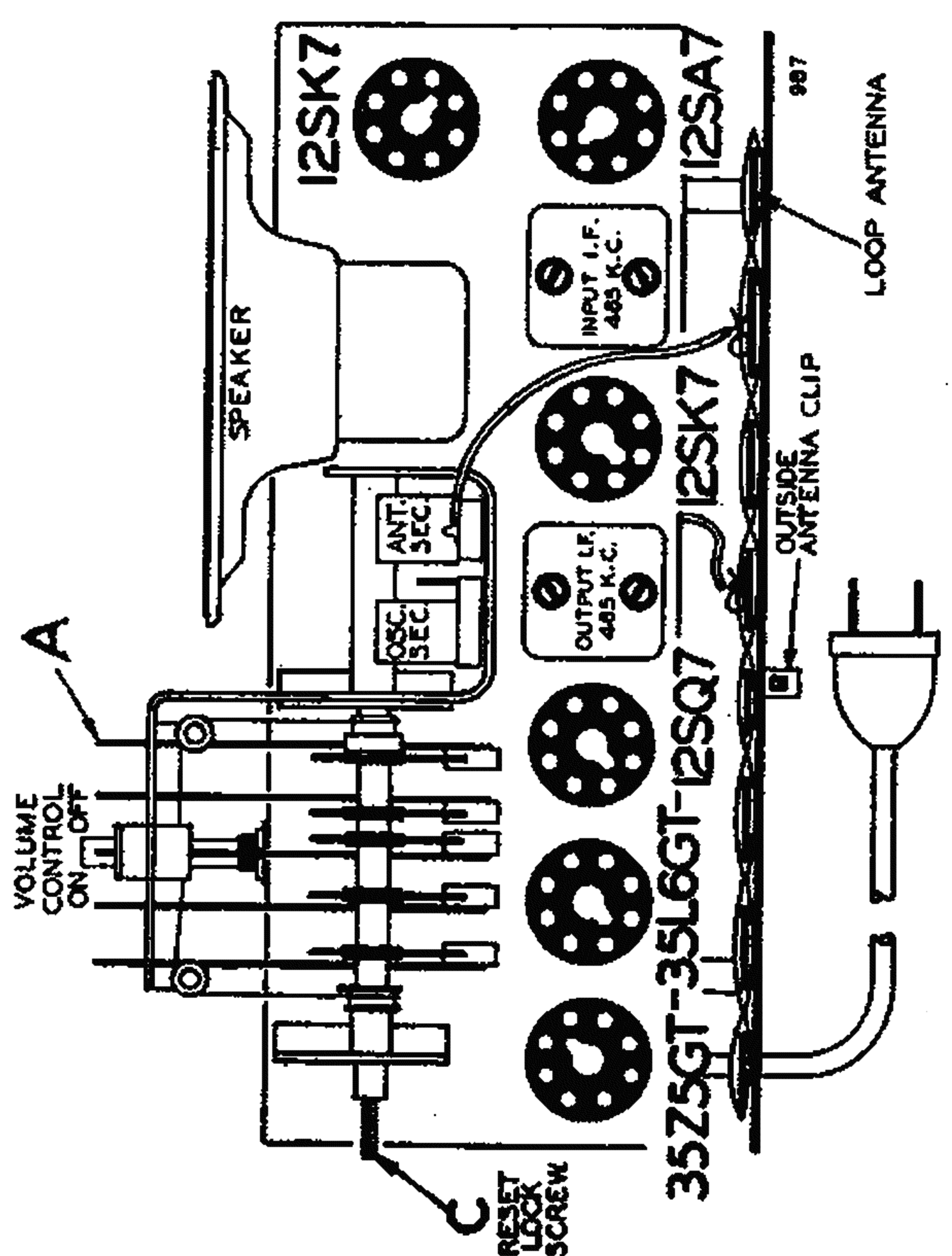
9-39

- 1—Type 12SK7 R. F. Amplifier.
- 1—Type 12SA7 Mixer, First Detector-oscillator.
- 1—Type 12SK7 I. F. Amplifier.
- 1—Type 12SQ7 Second Detector, A.V.C. and First Audio.
- 1—Type 35L6GT Beam Output Amplifier.
- 1—Type 35Z5GT High Vacuum Rectifier.

**PARTS**

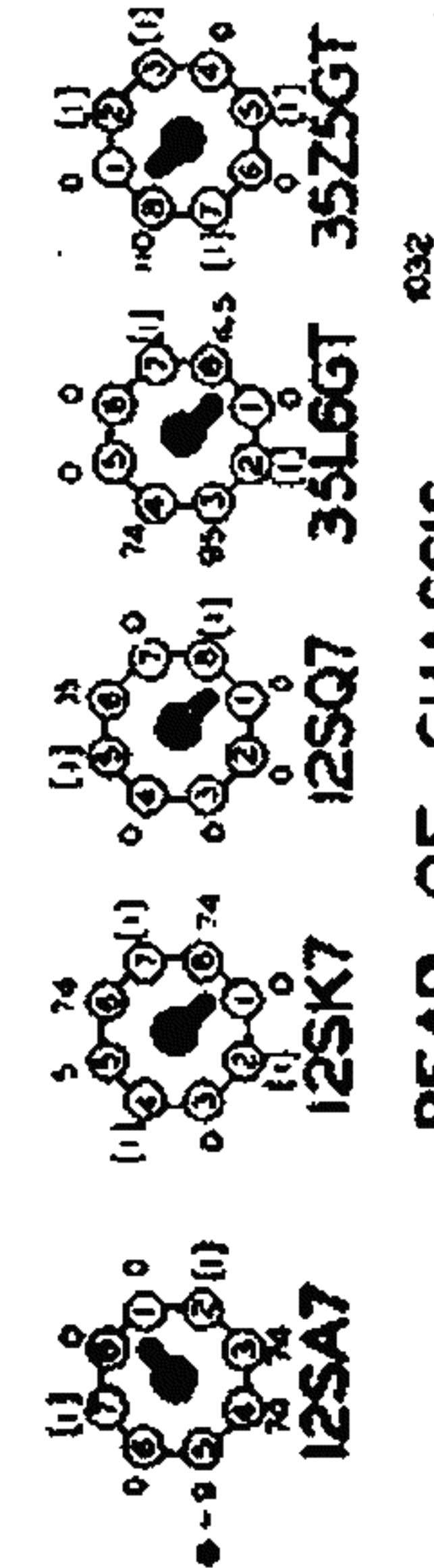
T1	111139	Loop Antenna
T2	110128	Oscillator Coil
T3	108140F	Input I. F. Coil
T4	108145B	Output I. F. Coil
T5	105104	Output Transformer
T6	114180	5" P.M. Dynamic Speaker
L1	1237	Antenna Loading Coil
P1	107249	6-8 volt Pilot light - T-47
SI		Off-on Switch on Volume Control

For alignment procedure, see instructions for Belmont Model 635, Series A.



**BOTTOM VIEW OF CHASSIS**

VOLTAGES MEASURED WITH 1000 OHM PER VOLT VOLTMETER BETWEEN SOCKET TERMINALS AND G-  
 (1) CANNOT BE MEASURED WITH VOLTMETER.  
 \* OSCILLATOR VOLTAGE SHOULD BE MEASURED WITH R.F. CHOKE IN SERIES



932

REAR OF CHASSIS

FIG. 1—TOP VIEW