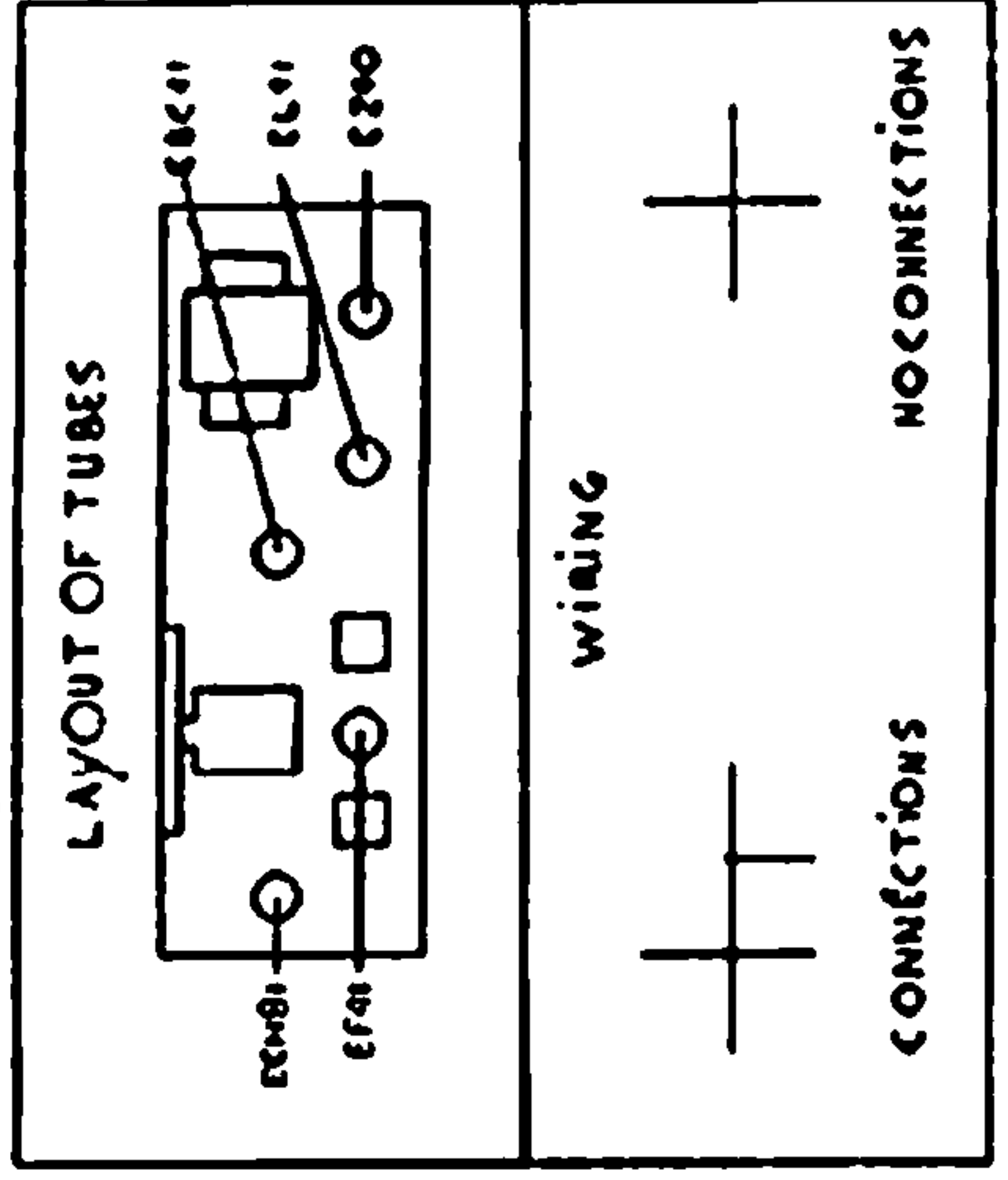


1000-Ω 5" SPEAKER
"ROLA" MODEL 53



SOMA TRANS.
240V 50CS
POWER CONSUMPTION 35WATTS

MODEL 5B4 — 5 VALVE BROADCAST. Colt

VOLTAGES WITH 5000Ω PER VOLT METER, SET TUNED OFF STATION.

DATE: 1-6-'54.
CHECKED: A.E. LARCOMBE.
DRAWN: H.R. BOUMAN.
BELL RADIO TELEVISION (CORP. LTD.
347 QUEEN ST. AUCKLAND, N.Z.