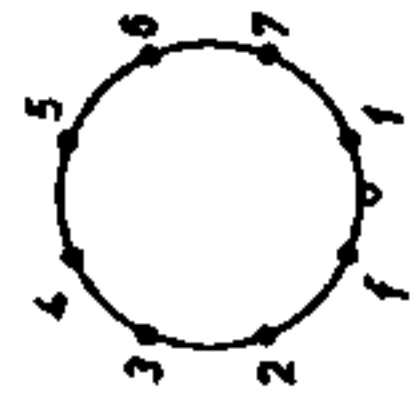
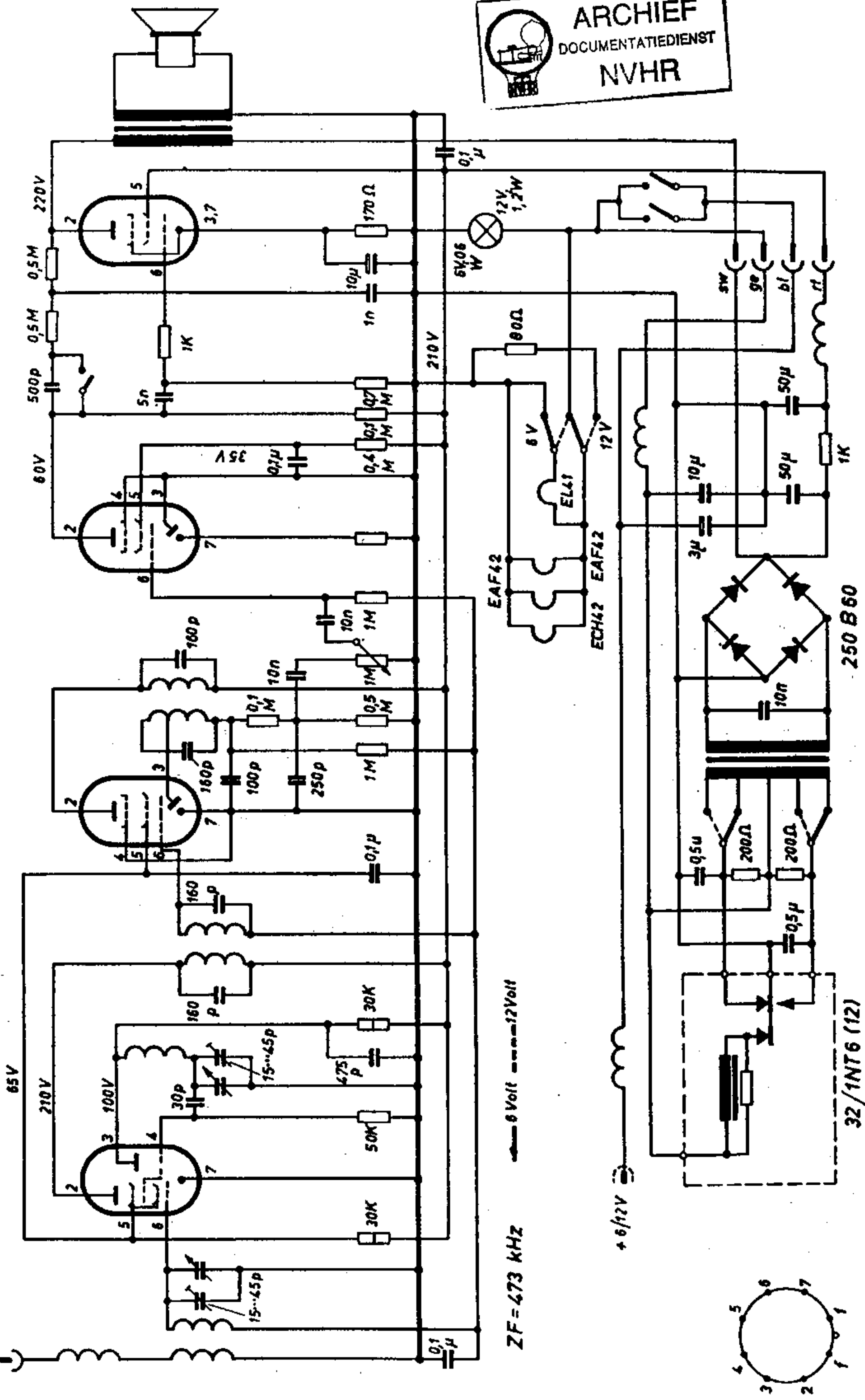


EL 41

EAF 42

EAF 42

ECH 42



ZF = 473 kHz

32/1NT6 (12)

250 B 60