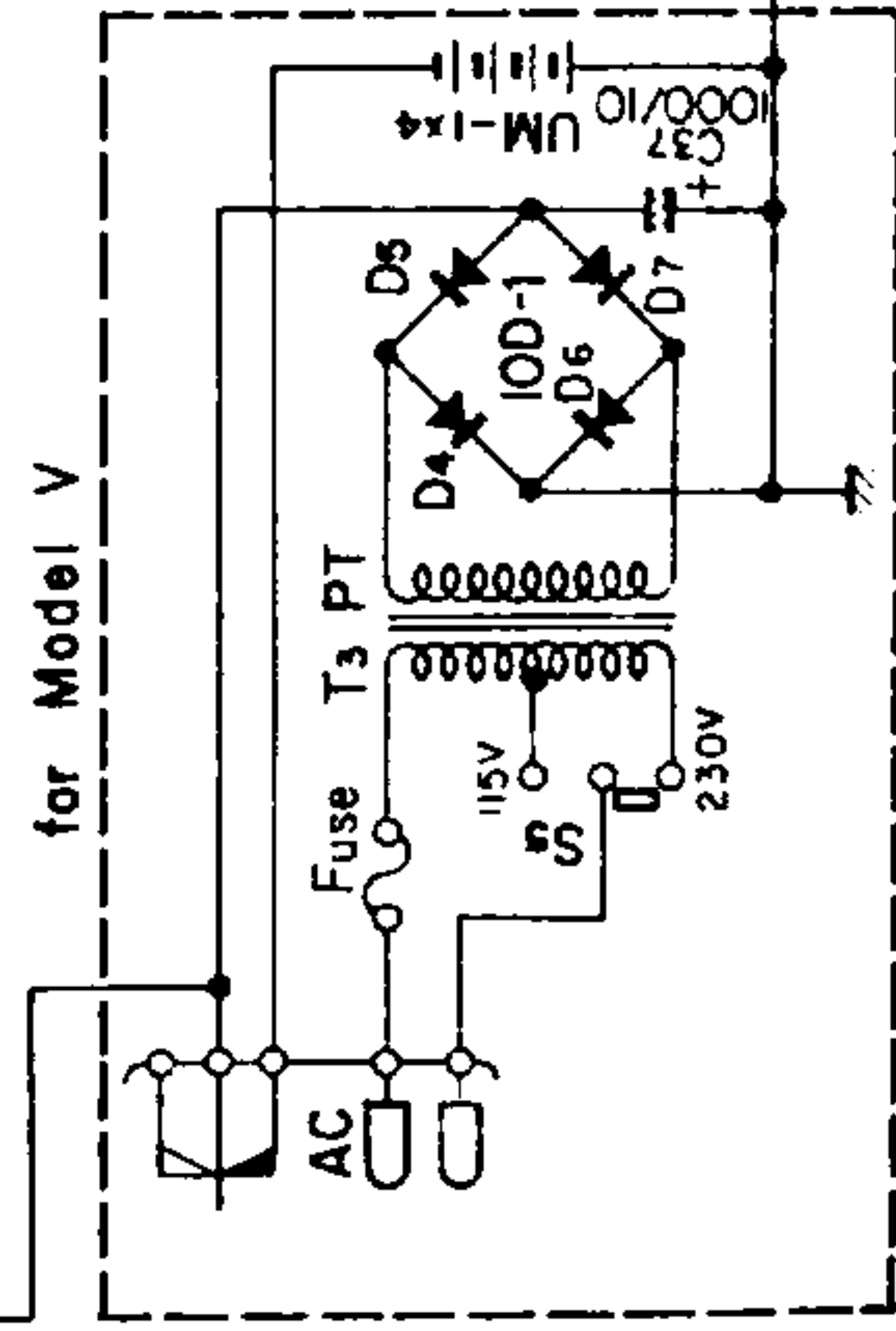
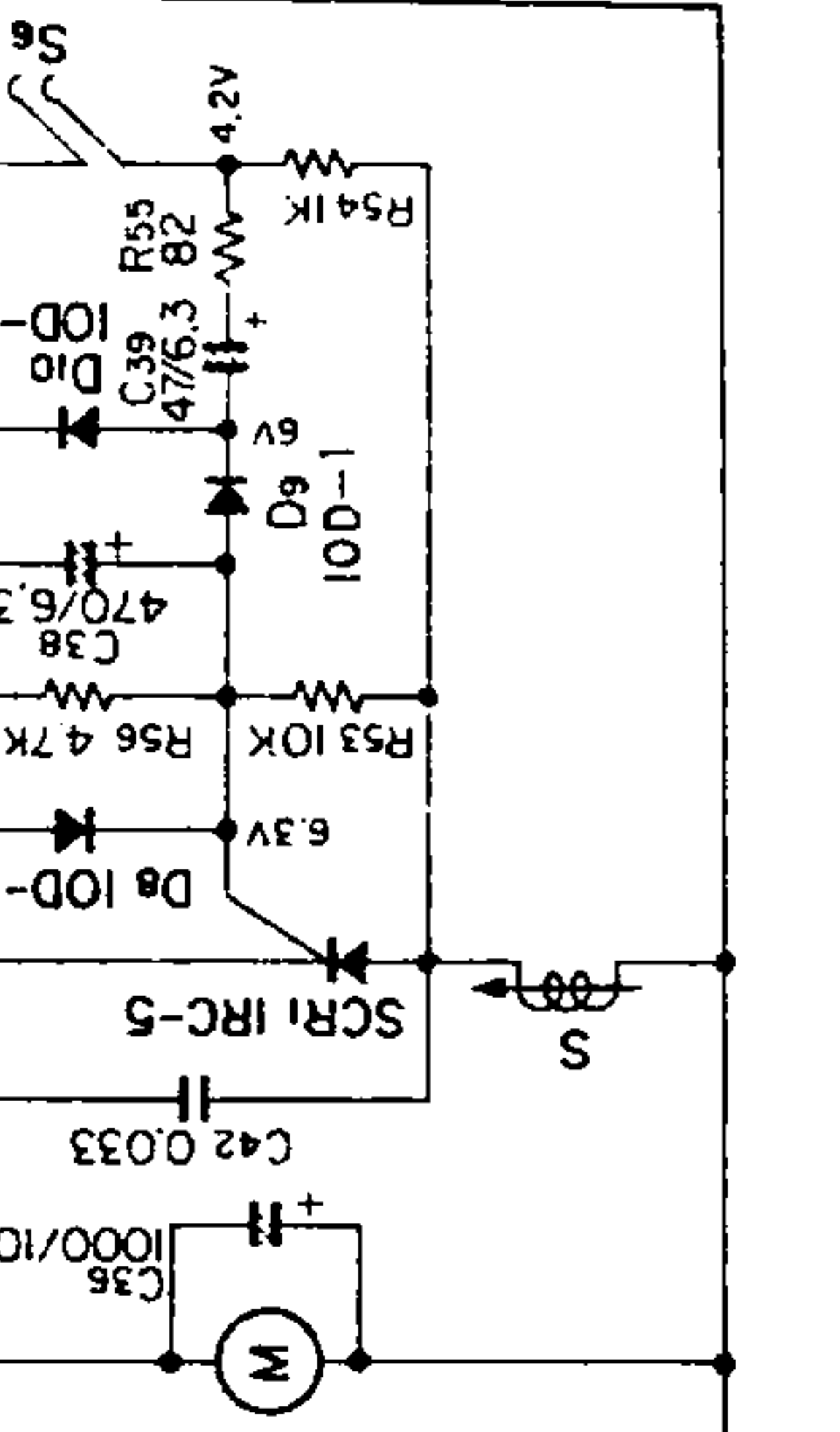
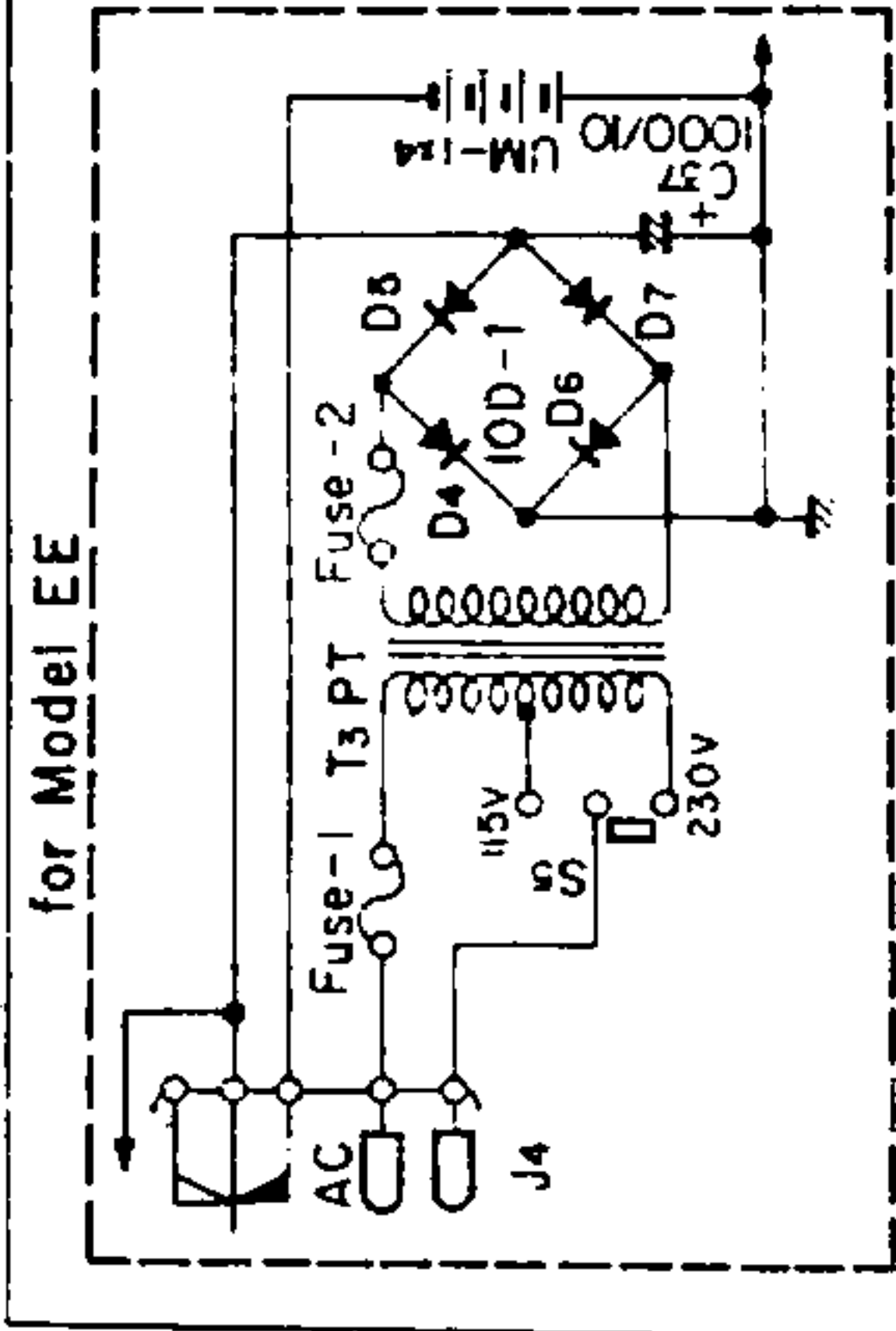
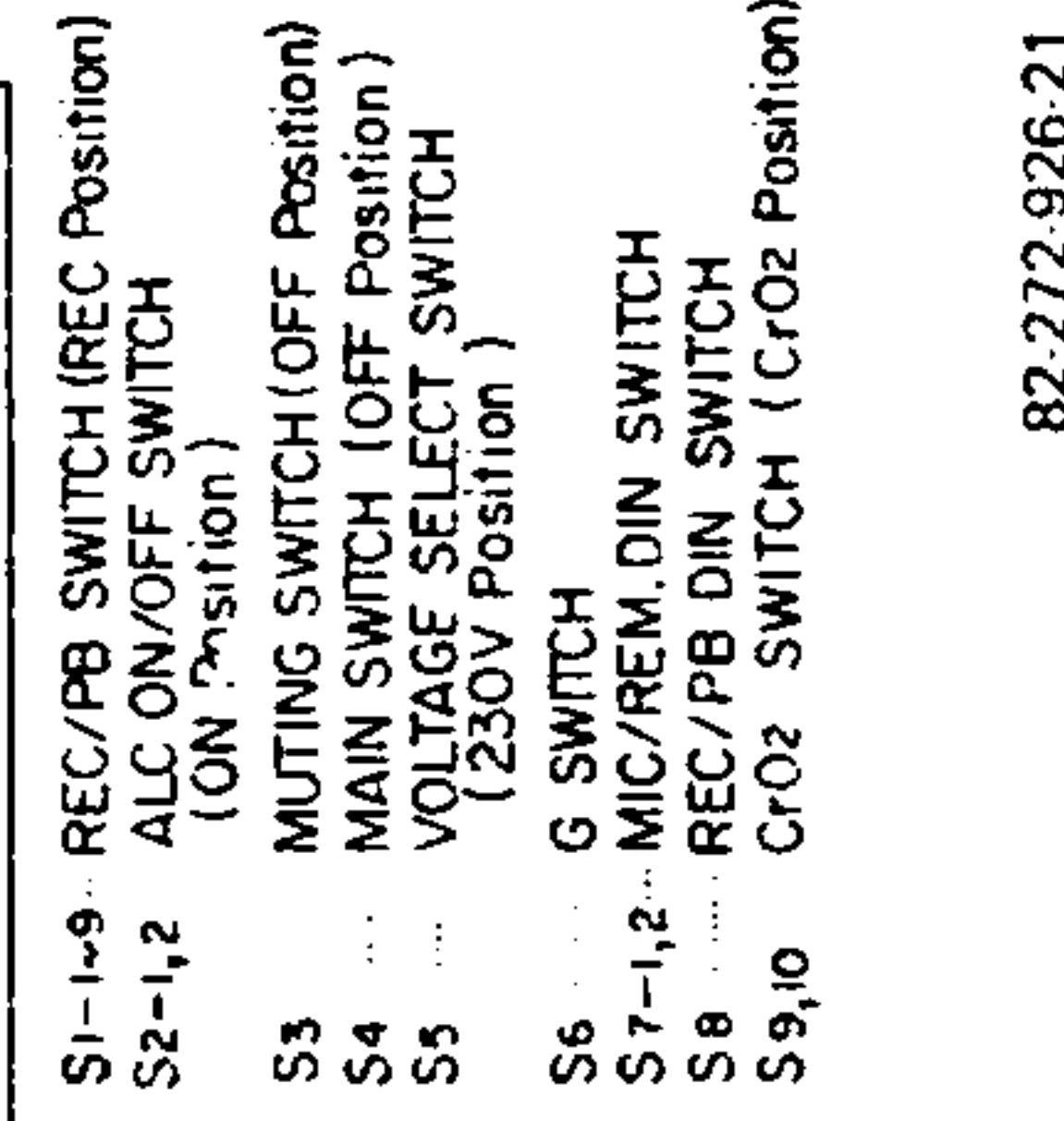
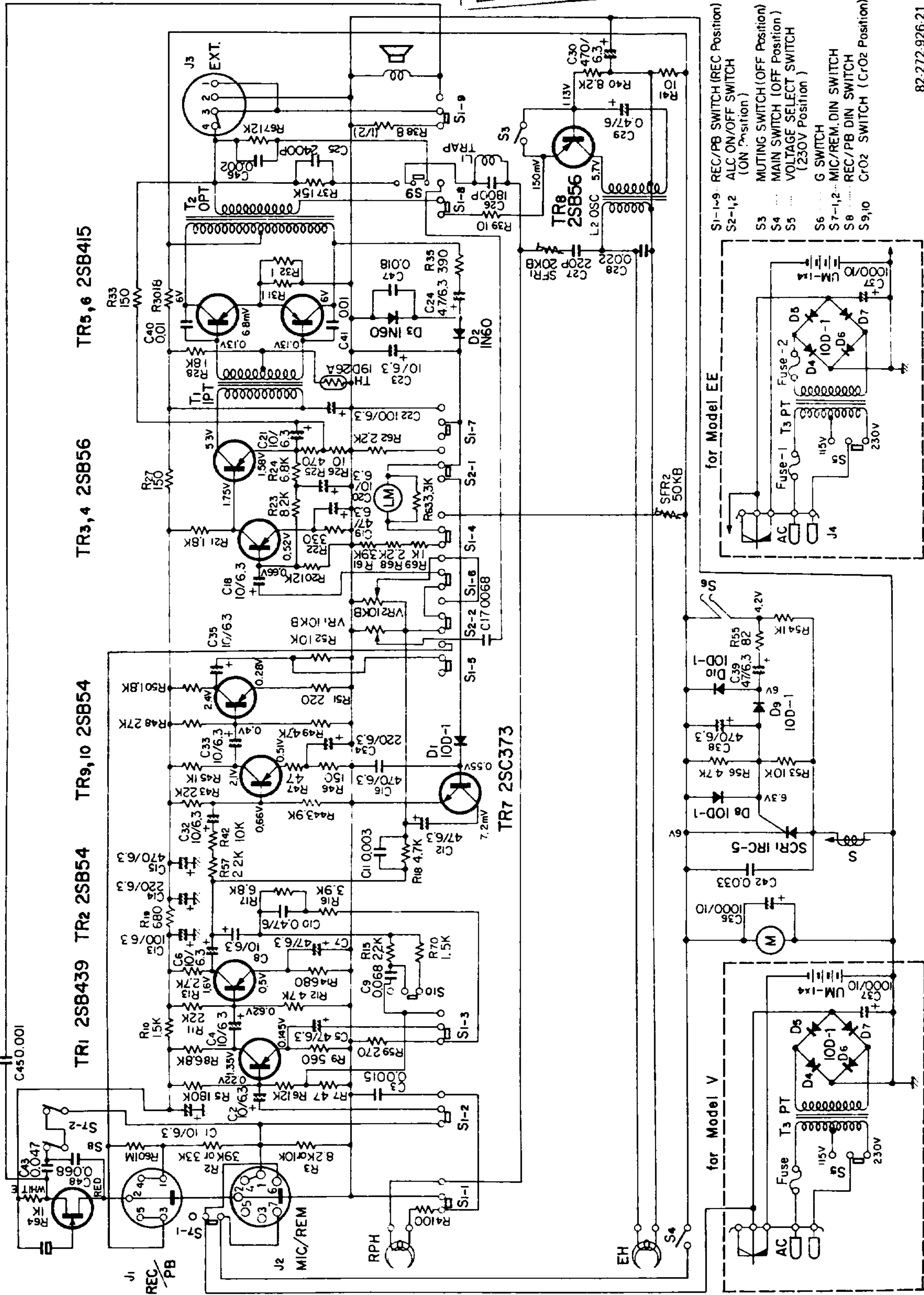
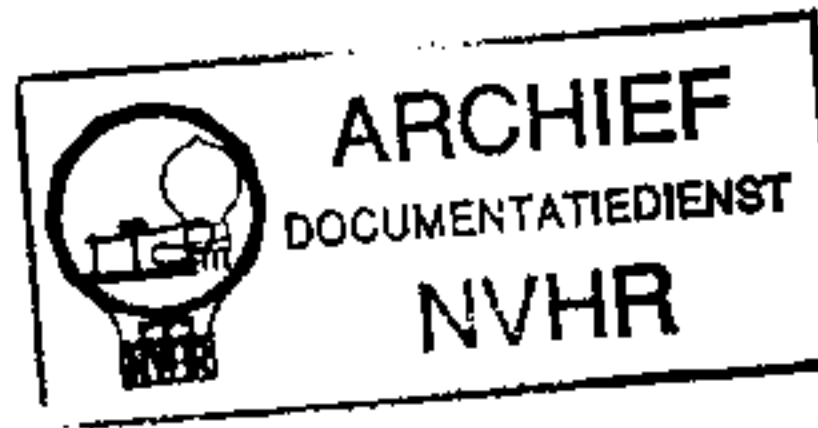


Met dank aan Paul Huneker



- S1-1-9 REC/PB SWITCH (REC Position)
- S2-1,2 ALC ON/OFF SWITCH (ON Position)
- S3 MUTING SWITCH (OFF Position)
- S4 MAIN SWITCH (OFF Position)
- S5 VOLTAGE SELECT SWITCH (230V Position)
- S6 G SWITCH
- S7-1,2 MIC/REM. DIN SWITCH
- S8 REC/PB DIN SWITCH
- S9,10 CrO2 SWITCH (CrO2 Position)