

X.0995

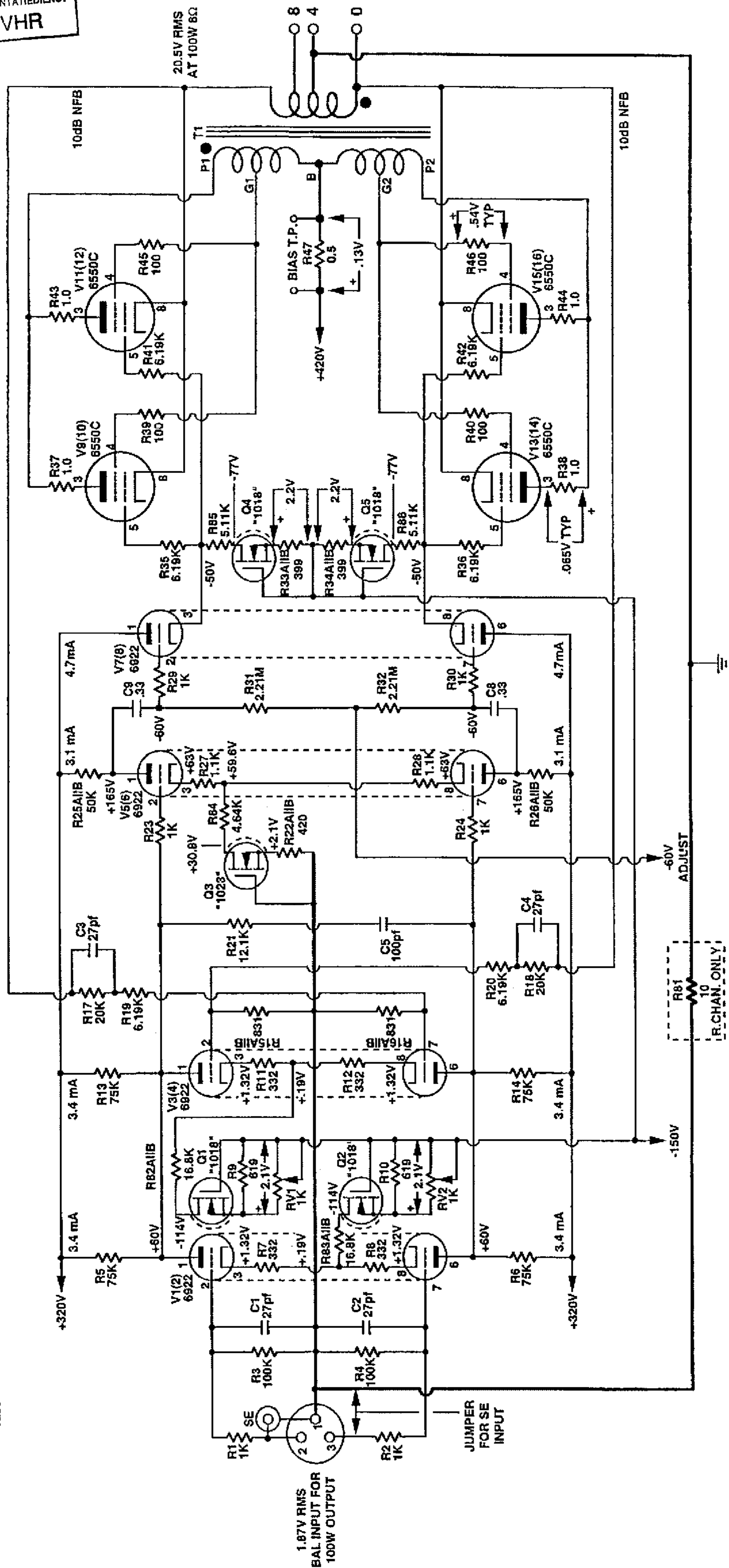
X3.82

X.967

X15.90

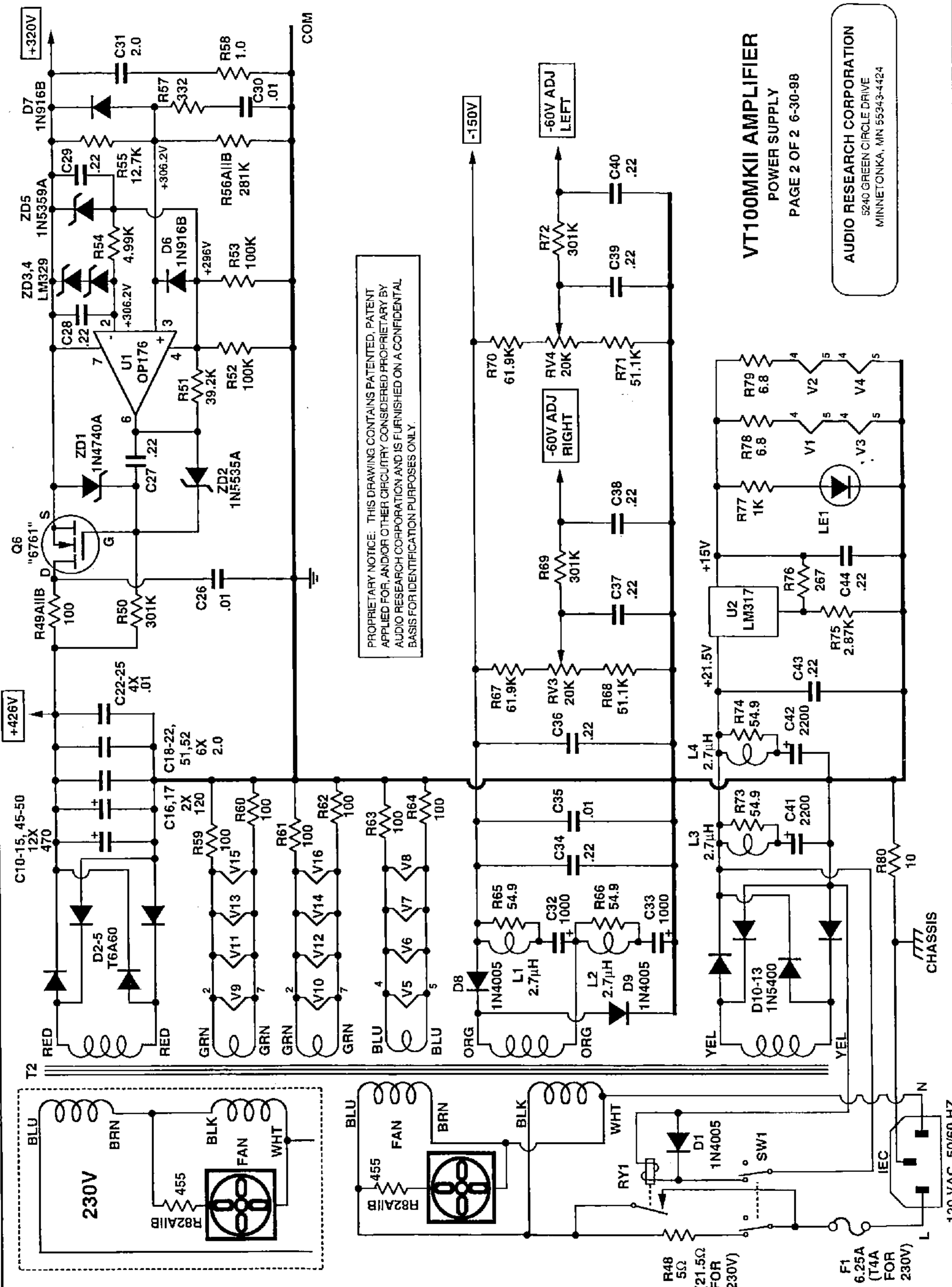
X3.78 CL
X13 OL

X.89



PROPRIETARY NOTICE: THIS DRAWING CONTAINS PATENTED, PATENT APPLIED FOR, AND/OR OTHER CIRCUITRY CONSIDERED PROPRIETARY BY AUDIO RESEARCH CORPORATION AND IS FURNISHED ON A CONFIDENTIAL BASIS FOR IDENTIFICATION PURPOSES ONLY.

AUDIO RESEARCH CORPORATION
8740 GREEN CIRCLE DRIVE
MINNETONKA, MN 55343-4424



PROPRIETARY NOTICE: THIS DRAWING CONTAINS PATENTED, PATENT APPLIED FOR, AND/OR OTHER CIRCUITRY CONSIDERED PROPRIETARY BY AUDIO RESEARCH CORPORATION AND IS FURNISHED ON A CONFIDENTIAL BASIS FOR IDENTIFICATION PURPOSES ONLY.

VT100MKII AMPLIFIER
POWER SUPPLY

PAGE 2 OF 2 6-30-88

AUDIO RESEARCH CORPORATION
5240 GREEN CIRCLE DRIVE
MINNETONKA, MN 55343-4424

CHASSIS

120 VAC 50/60 HZ