

ATWATER KENT RADIO

MODEL 43, 46, 47 AND 53

Ned. Ver. v. Historie v/d Radio

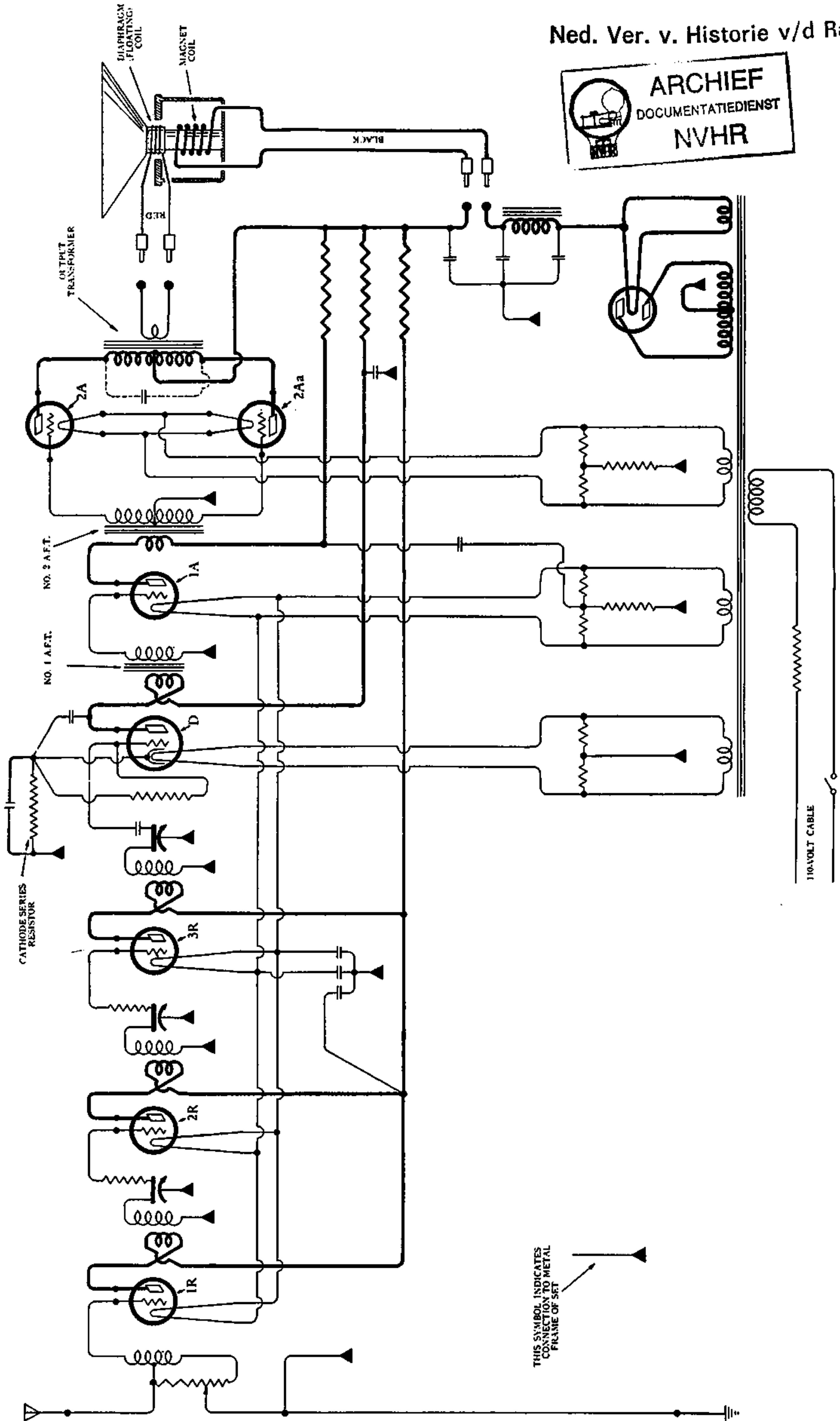
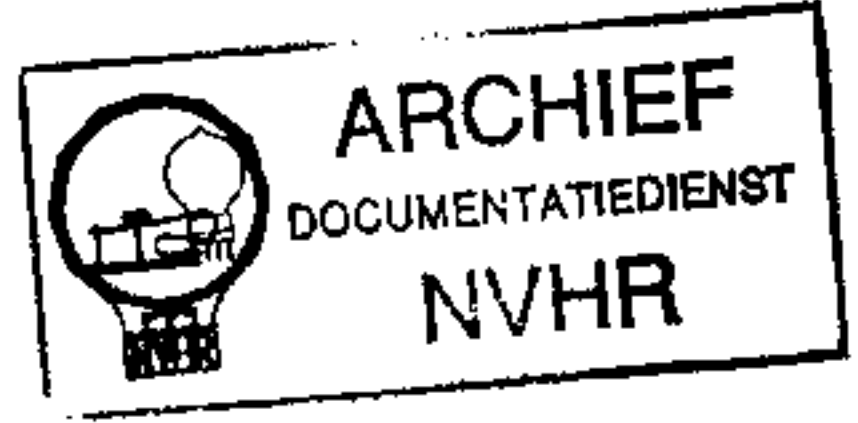


FIG. 110. DIAGRAM OF MODEL 43, 46 AND 53. (The output transformer is sealed in the power unit.) Model 47 is similar to this but has one extra stage of R. F. amplification and a local-distance switch similar to that in Model 44.

ATWATER KENT RADIO

MISCELLANEOUS DATA

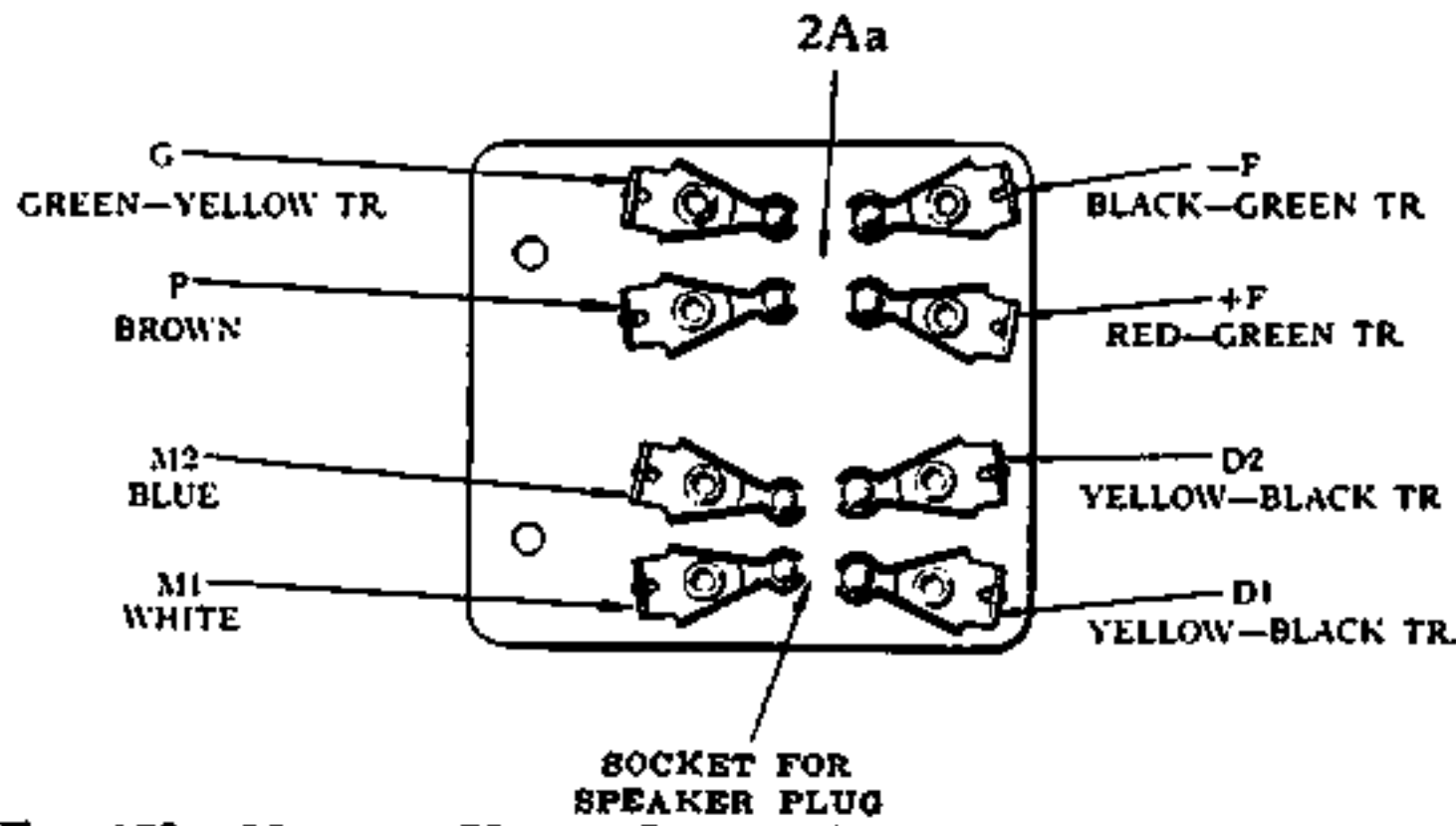


FIG. 159. VIEW OF UNDER-SIDE OF SPEAKER-PLUG SOCKET AND SOCKET 2Aa ON MODEL 43, 46, 47 AND 53.

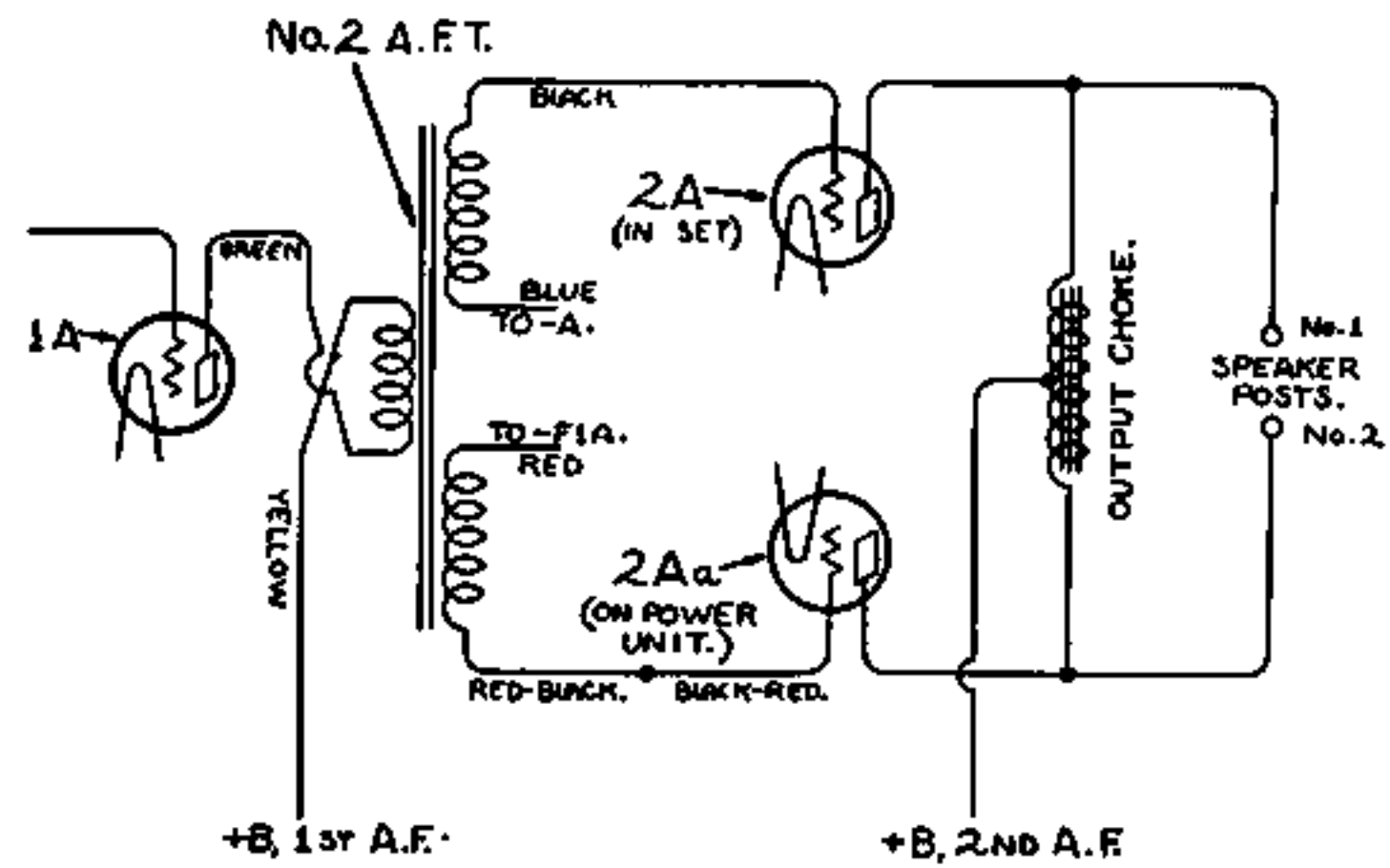


FIG. 160. SCHEMATIC DIAGRAM OF THE "DOUBLE AUDIO" 2ND-A. F. STAGE IN MODEL 41.

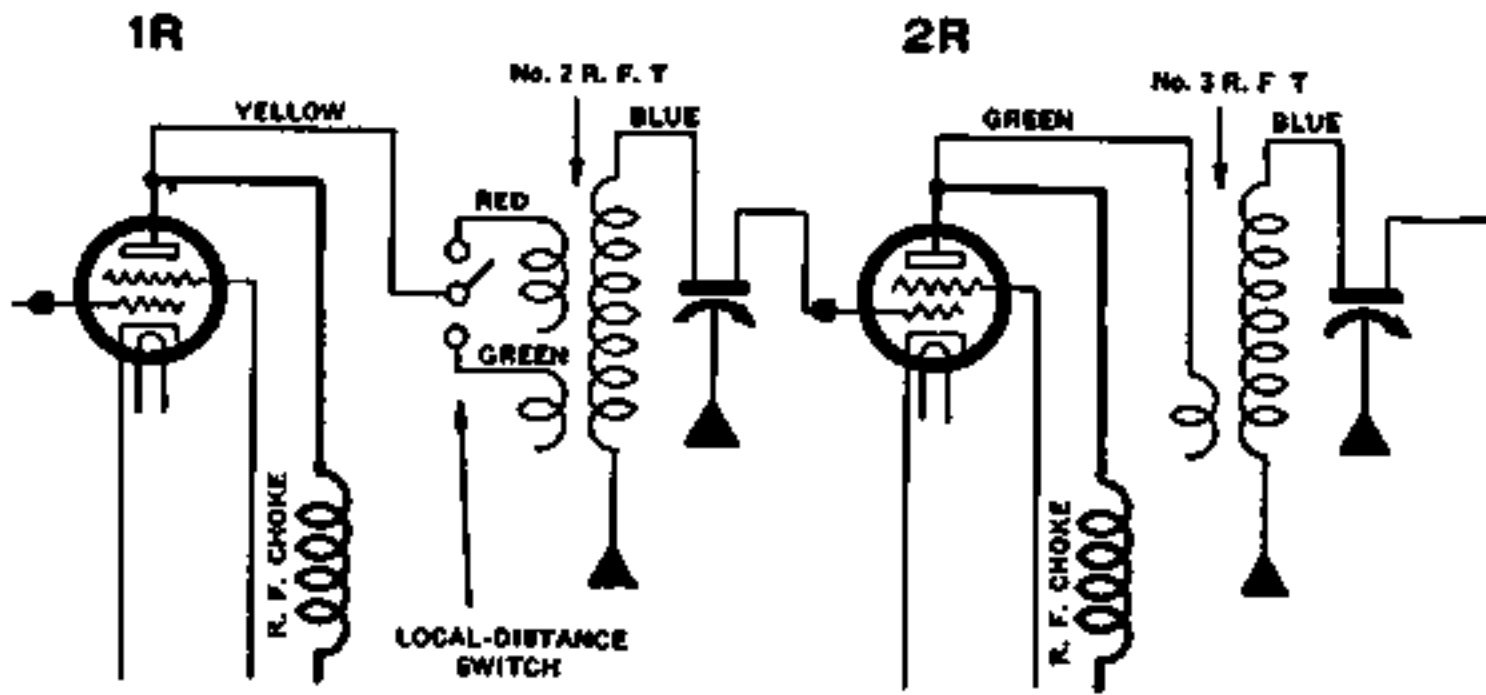


FIG. 161. FIRST TYPE OF AUTO-TRANSFORMERS FOR MODEL 55 AND 55-C.

In this type of coil, the primary, with only one connection, acts as a stopping condenser to the secondary.

This type of R. F. coil group is no longer supplied for replacement, being superseded by the type shown in the diagrams of later Models.

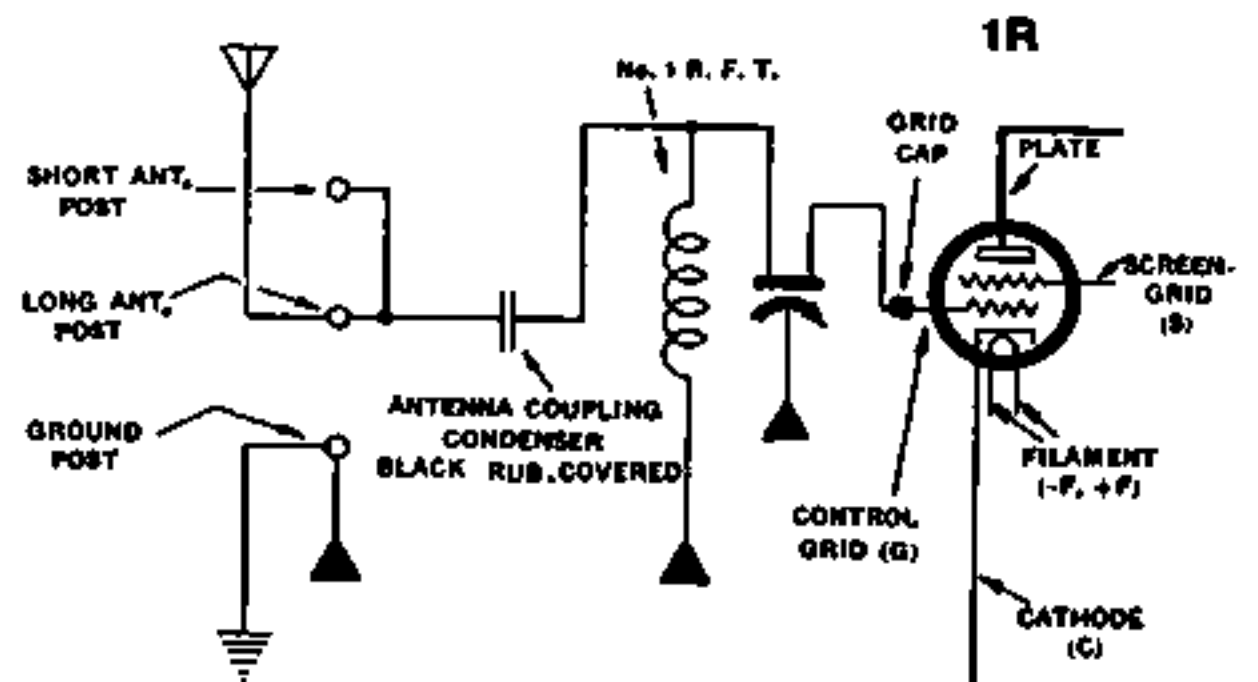


FIG. 162. CONNECTIONS FOR CAPACITY-COUPLED TYPE NO. 1 R. F. T. WHICH IS USED IN SOME LATER-TYPE MODELS.

The long-antenna and short-antenna binding posts are connected together when this type of coil is used.

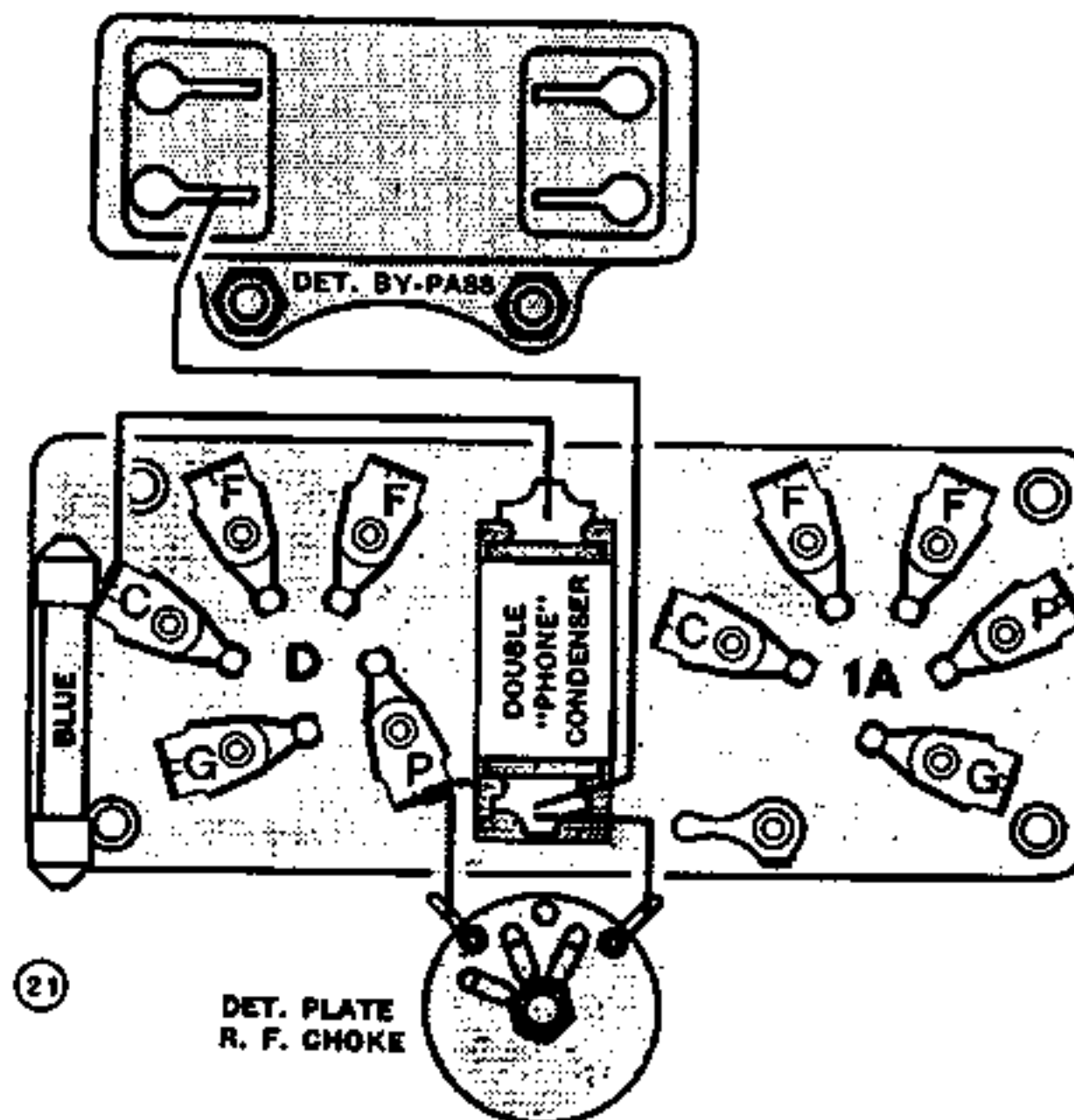


FIG. 163. CONNECTIONS OF DOUBLE-TYPE PHONE CONDENSER IN EARLY MODEL 55.