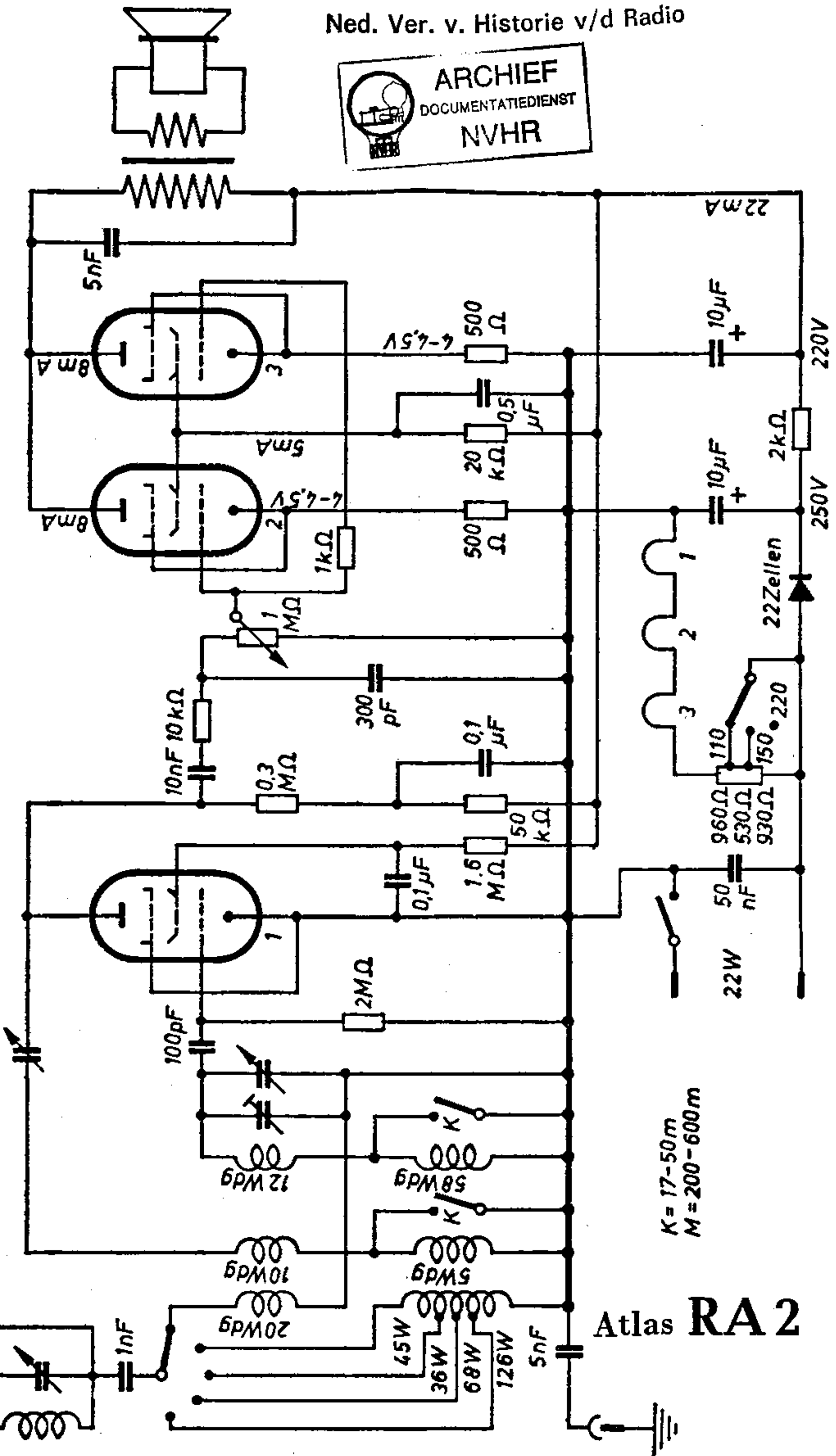


Sämtliche Röhren RV 12 P 2000



K = 17-50m
M = 200-600m

Atlas RA 2