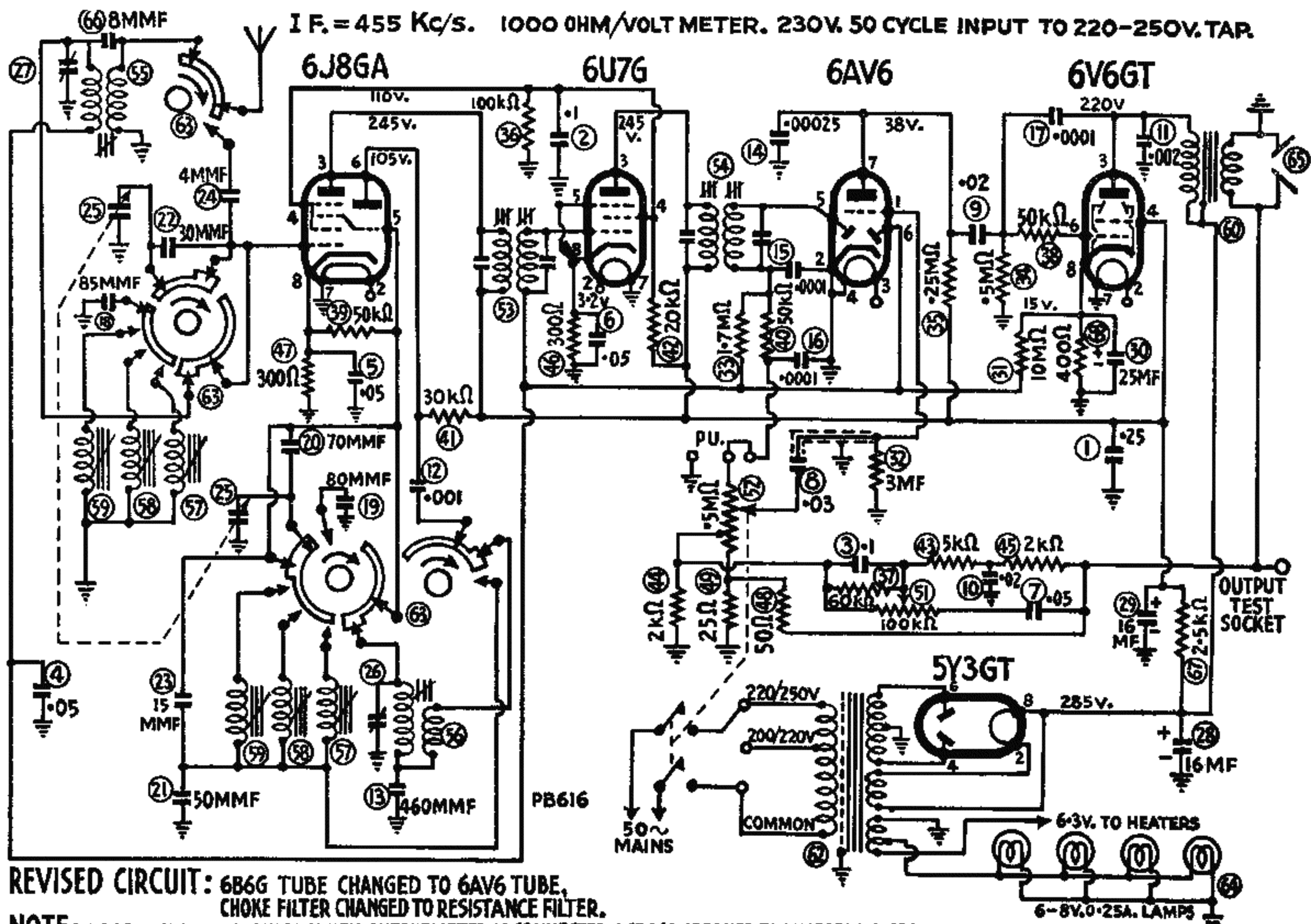


I F. = 455 Kc/s. 1000 OHM/VOLT METER. 230V. 50 CYCLE INPUT TO 220-250V. TAR.



REVISED CIRCUIT: 6B6G TUBE CHANGED TO 6AV6 TUBE,
 CHOKE FILTER CHANGED TO RESISTANCE FILTER.

NOTE: LOAD IMPED. 4 OHMS WHEN OUTPUT METER IS CONNECTED ACROSS SPEAKER TRANSFORMER SECONDARY
 LOAD IMPED. 5000 OHMS WHEN OUTPUT METER IS CONNECTED ACROSS SPEAKER TRANSFORMER PRIMARY

Ned. Ver. v. Historie

Met dank aan Bjarne Stridsberg





RADIO CORPORATION PTY. LTD.

DIVISION OF ELECTRONIC INDUSTRIES LTD.

126-130 GRANT STREET, SOUTH MELBOURNE, S.C.4.

TECHNICAL BULLETIN

BULLETIN: "GN"-5.

File: RECEIVERS AC.

Date: 25/1/51.

Page: 1.

Subject:

TYPE 6AV6 TUBE.

The type 6B6G tube will be changed to a type 6AV6 tube in the next production run of the model "GN" receiver.

The reason for the change is due to the shortage of type 6B6G tubes.

When a 6AV6 tube is used as a replacement for a 6B6G tube an adaptor plate is mounted over the 6B6G socket hole to mount the smaller socket for the 6AV6 tube. No circuit alterations are required except for the rewiring of the connections to the 6AV6 tube socket.

SOCKET CONNECTIONS.

<u>Pin No.</u>	<u>6B6G</u>	<u>6AV6</u>
1.	No connection	Triode Grid
2.	Heater	Cathode
3.	Triode Plate	Heater
4.	Diode Plate No. 2	Heater
5.	Diode Plate No. 1	Diode Plate No. 2
6.	No connection	Diode Plate No. 1
7.	Heater	Triode Plate
8.	Cathode	—

COMPONENT PARTS REQUIRED.

	<u>Part No.</u>		<u>Part No.</u>
6B6G Tube		6AV6 tube	
Tube Shield	PM217	Adaptor Plate	15/698
Shield Earth		Tube Shield	38/635
Contact	22/30C.	Tube Socket	A104/58
Grid Clip	873/495	$\frac{1}{8}$ " width Braid,	
Tube Socket	PM532	$1\frac{1}{2}$ " for earthing	
		Tube Shield	WM55
		Eyelets for socket	
		mounting (2)	2/291-1