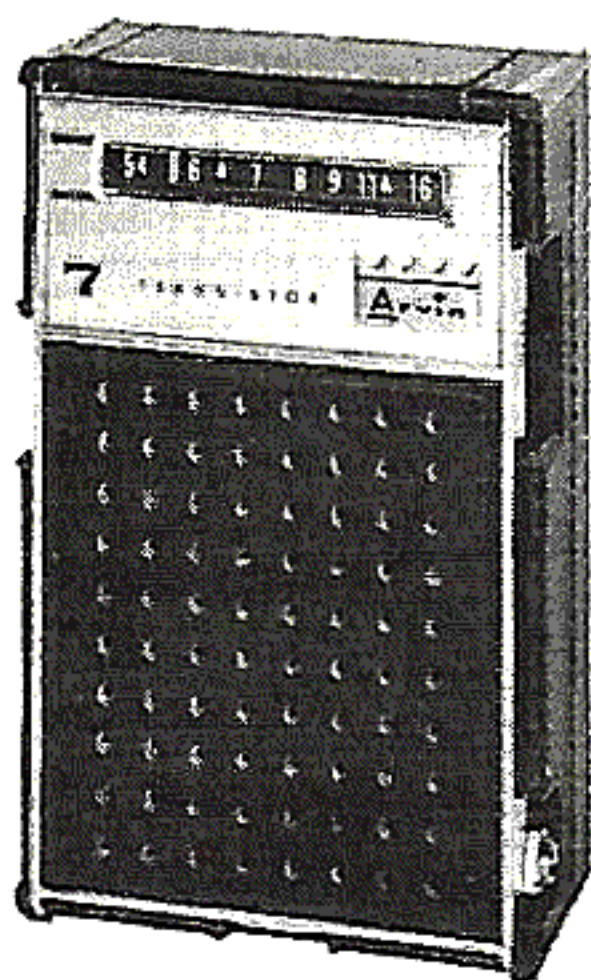




PHOTOFACT[®] with

CIRCUITRACE[®]

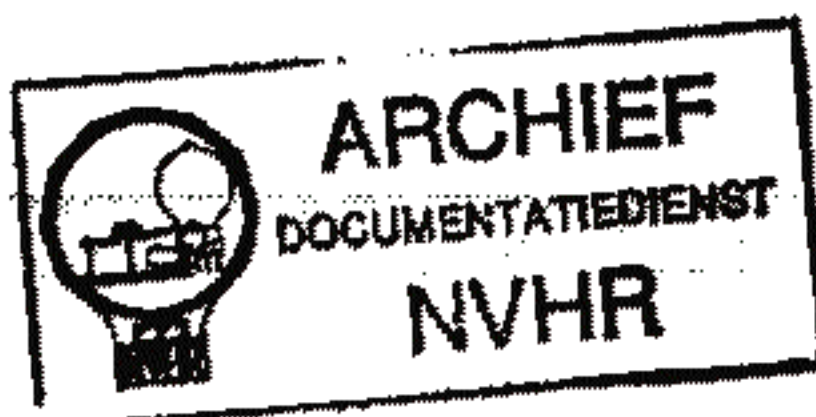


Met dank aan Jef Bos

TRADE NAME: Arvin Model 61R38 (Ch. I. 75001)
 SUPPLIER: Arvin Industries, Inc., Columbus, Indiana
 TYPE SET: 7 Transistor AM Receiver
 POWER SUPPLY: 9 Volts DC
 RATING: 10MA @ 9VDC (No Signal, Min. Volume)
 30MA @ 9VDC (Signal, Normal Volume)

TUNING RANGE: BROADCAST 535 - 1640KC

Ned. Ver. v. Historie v/d Radio



ALIGNMENT INSTRUCTIONS

Check for specified source voltage.

Fashion loop of several turns of wire and connect generator across loop.

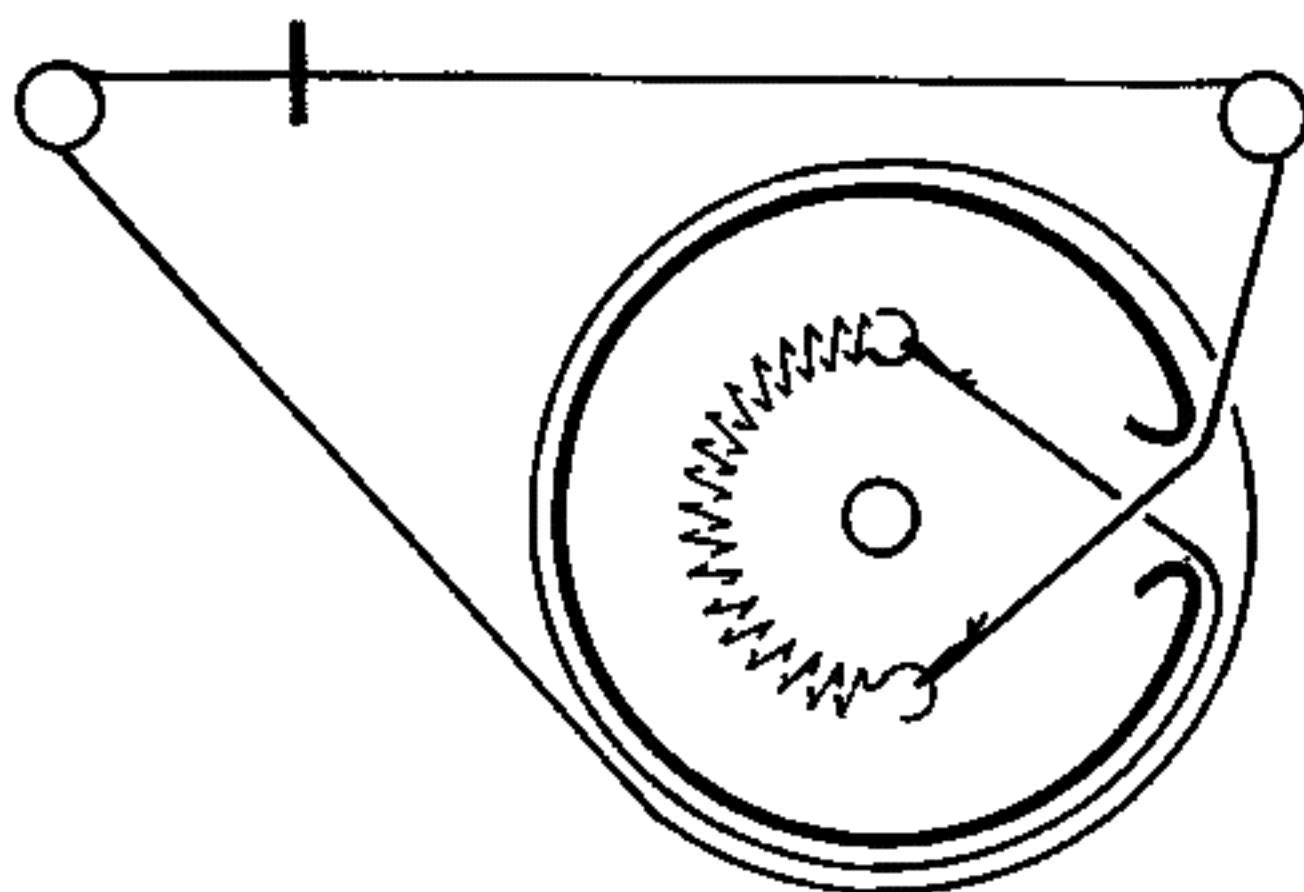
Adjust output of generator to radiate only enough signal into receiver to obtain a suitable indication.

Suggested Alignment Tools:

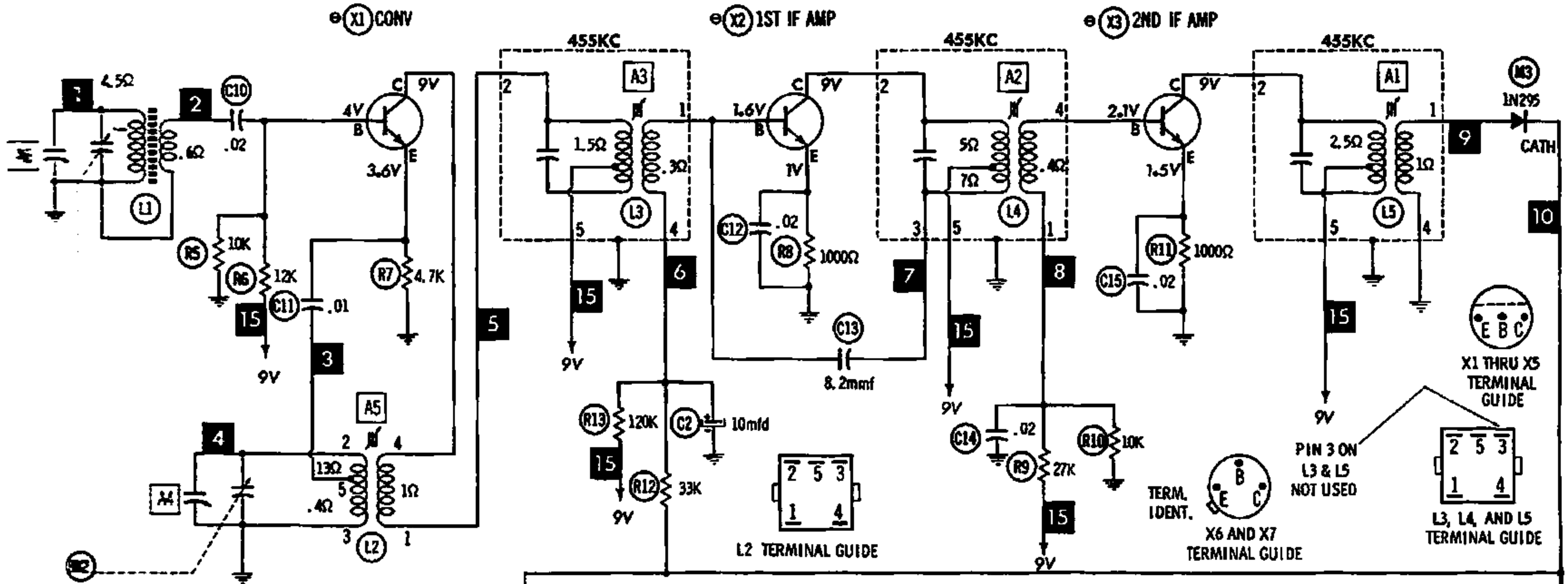
A1, A2, A3, A5.... GENERAL CEMENT #9440
 WALSCO #2501
 A4, A6..... GENERAL CEMENT #5000, 5066, 8290
 WALSCO #2512, 2525, 2528

	SIGNAL GENERATOR FREQUENCY	RADIO DIAL SETTING	INDICATOR	ADJUST	REMARKS
1.	455KC (400% Mod.)	Tuning gang fully open.	Output Meter across voice coil.	A1, A2, A3	Adjust for maximum. Repeat as required.
2.	1640KC	"	"	A4	Adjust for maximum.
3.	600KC	Tune to Signal.	"	A5	Rock tuning gang and adjust for maximum. Repeat steps 2 and 3.
4.	1400KC	"	"	A6	Adjust for maximum.

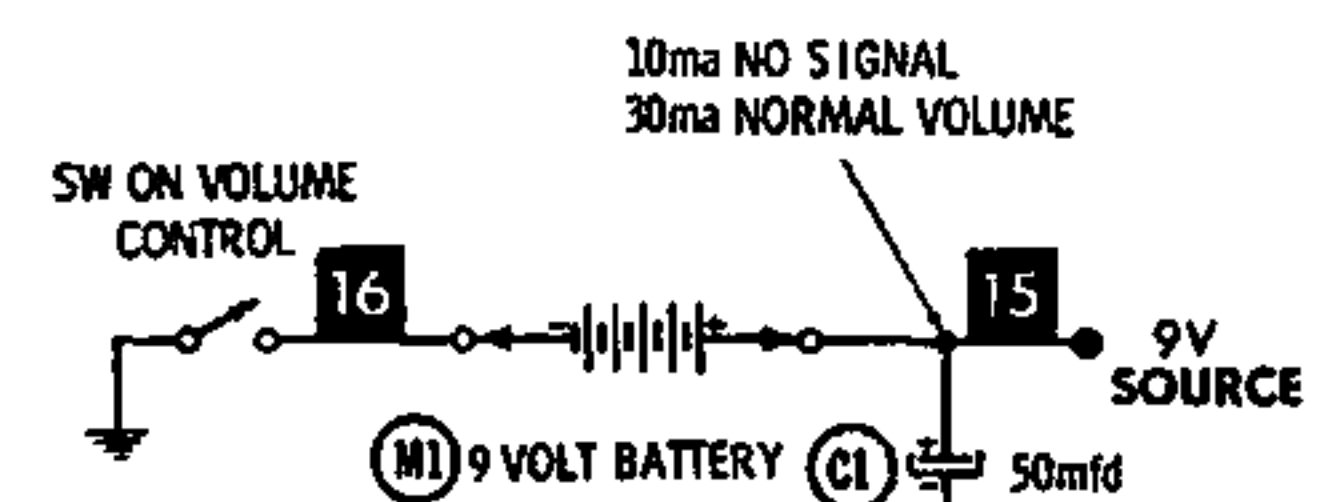
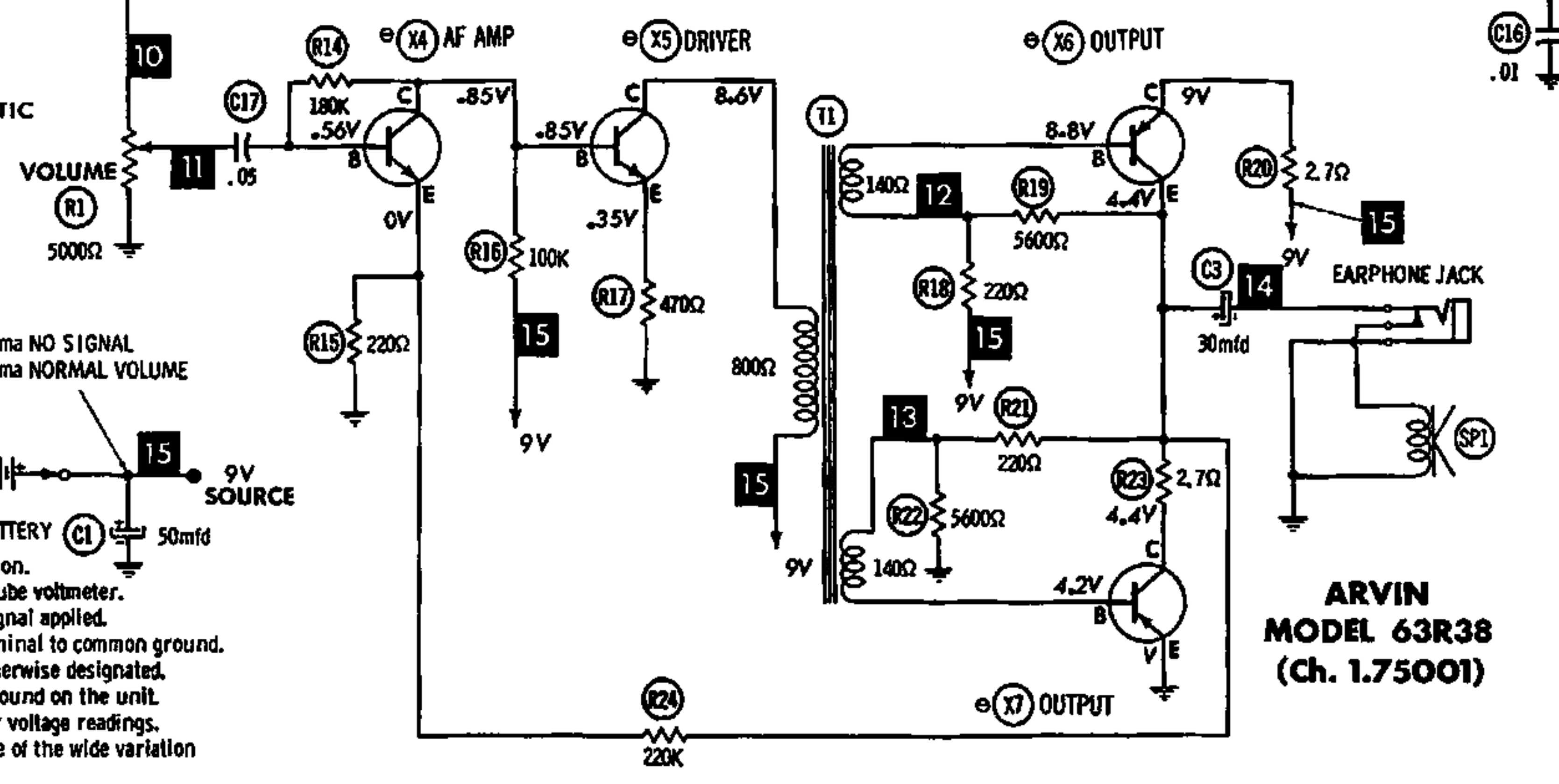
DIAL CORD STRINGING



HOWARD W. SAMS & CO., INC. Indianapolis 6, Indiana

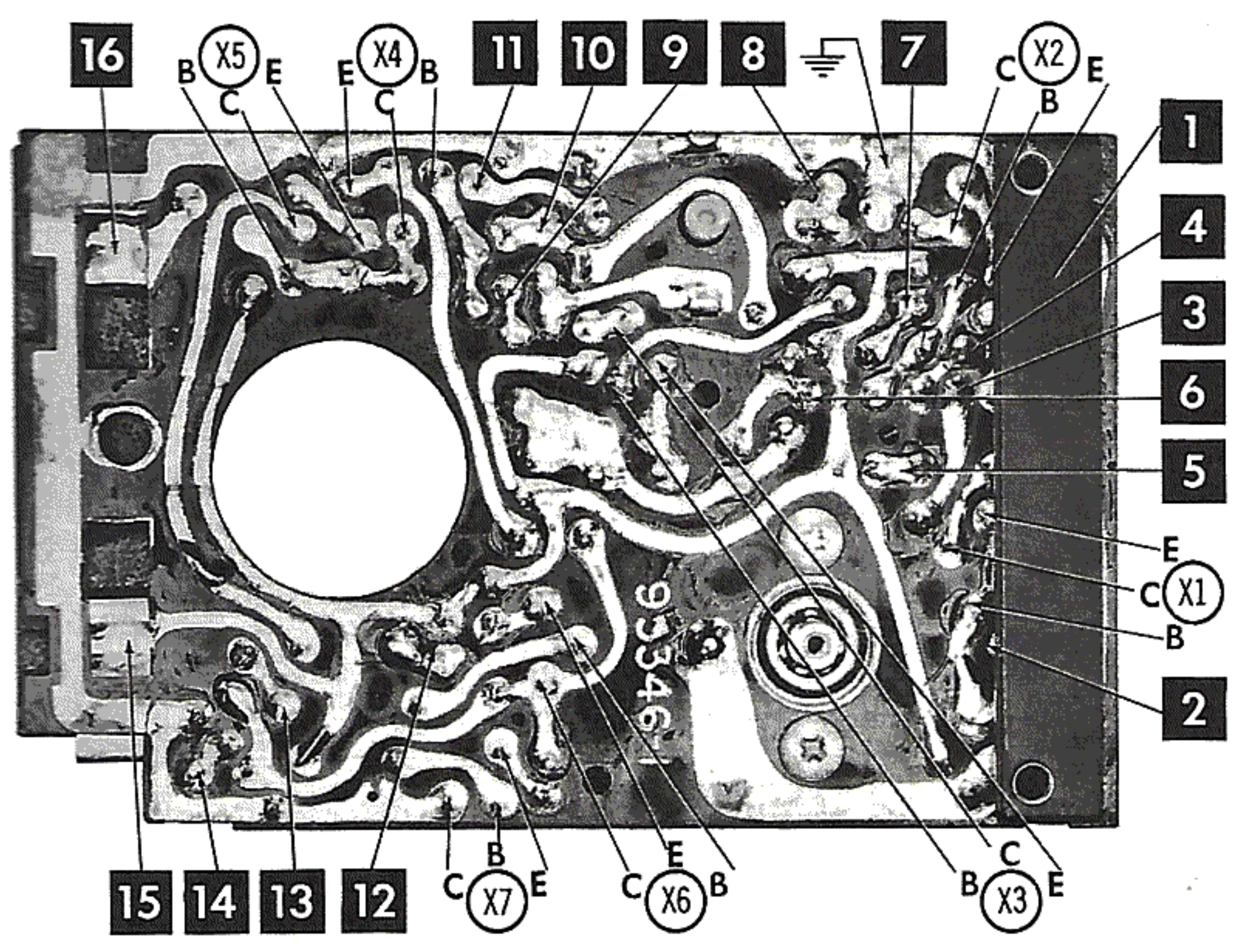


FACTORY STANDARD NOTATION SCHEMATIC
with CIRCUITACE
©Howard W Sams & Co., Inc. 1963



- ⊕ See parts list for alternate value or application.
- ⊖ Voltage measurements taken with vacuum tube voltmeter.
- ⊙ Controls set for normal operation, no signal applied.
- ⊙ Measured values are from socket pin or terminal to common ground.
- ⊙ All terminals viewed from bottom unless otherwise designated.
- ⊙ Numbers assigned to terminals may not be found on the unit.
- ⊙ Supply voltage maintained at rated value for voltage readings.
- ⊙ Resistance measurements not given because of the wide variation in internal resistance of transistor.

**ARVIN
MODEL 63R38
(Ch. 1.75001)**



TRANSISTORS

ITEM No.	ORIG. TYPE	USE	REPLACEMENT DATA			NOTES	ARVIN PART No.
			DELCO PART No.	GENERAL ELECTRIC PART No.	RCA PART No.		
X1		Conv.	DS-44	GE-6		NPN	95112
X2		1st IF Amp.	DS-44	GE-7		NPN	95113
X3		2nd IF Amp.	DS-44	GE-7		NPN	95112
X4		AF Amp.	DS-46	GE-8		NPN	95113
X5		Driver	DS-46	GE-8		NPN	95113
X6		Output	DS-26	GE-2		PNP	95212
X7		Output	DS-26	GE-2		PNP	95212

ELECTROLYTIC CAPACITORS

ITEM No.	RATING		REPLACEMENT DATA						
	CAP.	VOLT.	ARVIN PART No.	AEROVOX PART No.	CORNELL-DUBILIER PART No.	GENERAL ELECTRIC PART No.	GENERAL INSTRUMENT PART No.	MALLORY PART No.	SPRAGUE PART No.
C1	50	10	49385-4	BCD10050	NLW50-10	MT1-16	MLV50-10		TE-1119
C2	10	3	49385-1	BCD3010	ECPB408	MT1-5	MLV10-3	PET1340	VL-1038
C3	30	10	49385-3	BCD10025	ECPB412	MT1-16	BL1430	TT10X30	VL-1132

FIXED CAPACITORS

ITEM No.	RATING	REMARKS	REPLACEMENT DATA					
			AEROVOX PART No.	CENTRALAB PART No.	CORNELL-DUBILIER PART No.	ELMENCO PART No.	MALLORY PART No.	SPRAGUE PART No.
C10	.02		TTD-02	CK-203	H3		TA-120	TG-S20
C11	.01		TTD-01	CK-103	H2		TA-110	TG-S10
C12	.02		TTD-02	CK-203	H3		TA-120	TG-S20
C13	8.2		NPO-SI 8.2		C10V82C			10TCC-V82
C14	.02		TTD-02	CK-203	H3		TA-120	TG-S20
C15	.02		TTD-02	CK-203	H3		TA-120	TG-S20
C16	.01		TTD-01	CK-103	H2		TA-110	TG-S10
C17	.05		TTD-05	CK-503	H5		TA-150	TG-S50

CONTROLS

All wattages 1/2 watt, or less, unless otherwise listed.

ITEM No.	USE	RESISTANCE	REPLACEMENT DATA				
			ARVIN PART No.	CENTRALAB PART No.	CLAROSTAT PART No.	CTS-IRC PART No.	MALLORY PART No.
R1	Volume & Switch	5000Ω	98720-2				

COILS (RF-IF)

ITEM No.	USE	REPLACEMENT DATA					NOTES
		ARVIN PART No.	MERIT PART No.	MILLER PART No.	STANCOR PART No.	WORKMAN PART No.	
L1	Loopstick	98717-2		2009			
L2	Osc.	49382-5					
L3	1st IF	49388-16					
L4	2nd IF	49388-27					
L5	3rd IF	49388-36					

DESCRIPTION

TRANSFORMER (DRIVER)

ITEM No.	TURNS RATIO		REPLACEMENT DATA				NOTES	
	PRI.	SEC.1	ARVIN PART No.	MERIT PART No.	STANCOR PART No.	THORDARSON PART No.		TRIAD PART No.
		SEC.2						
T1	5	1	49384-2					
		1						

SPEAKER

ITEM No.	TYPE	REPLACEMENT DATA		NOTES
		ARVIN PART No.	QUAM PART No.	
SP1	2 1/4" PM 75Ω	49506-5		

BATTERIES

ITEM No.	VOLTAGE	ARVIN PART No.	REPLACEMENT DATA			NOTES
			BURGESS	EVEREADY	MALLORY	
M1	9V		L6	206	M-1611 (or TR-126)	

MISCELLANEOUS

ITEM No.	PART NAME	ARVIN PART No.	NOTES
M2	Tuning Cap.	98721-2	
M3	Detector (1N295)	48287	

CABINETS & CABINET PARTS

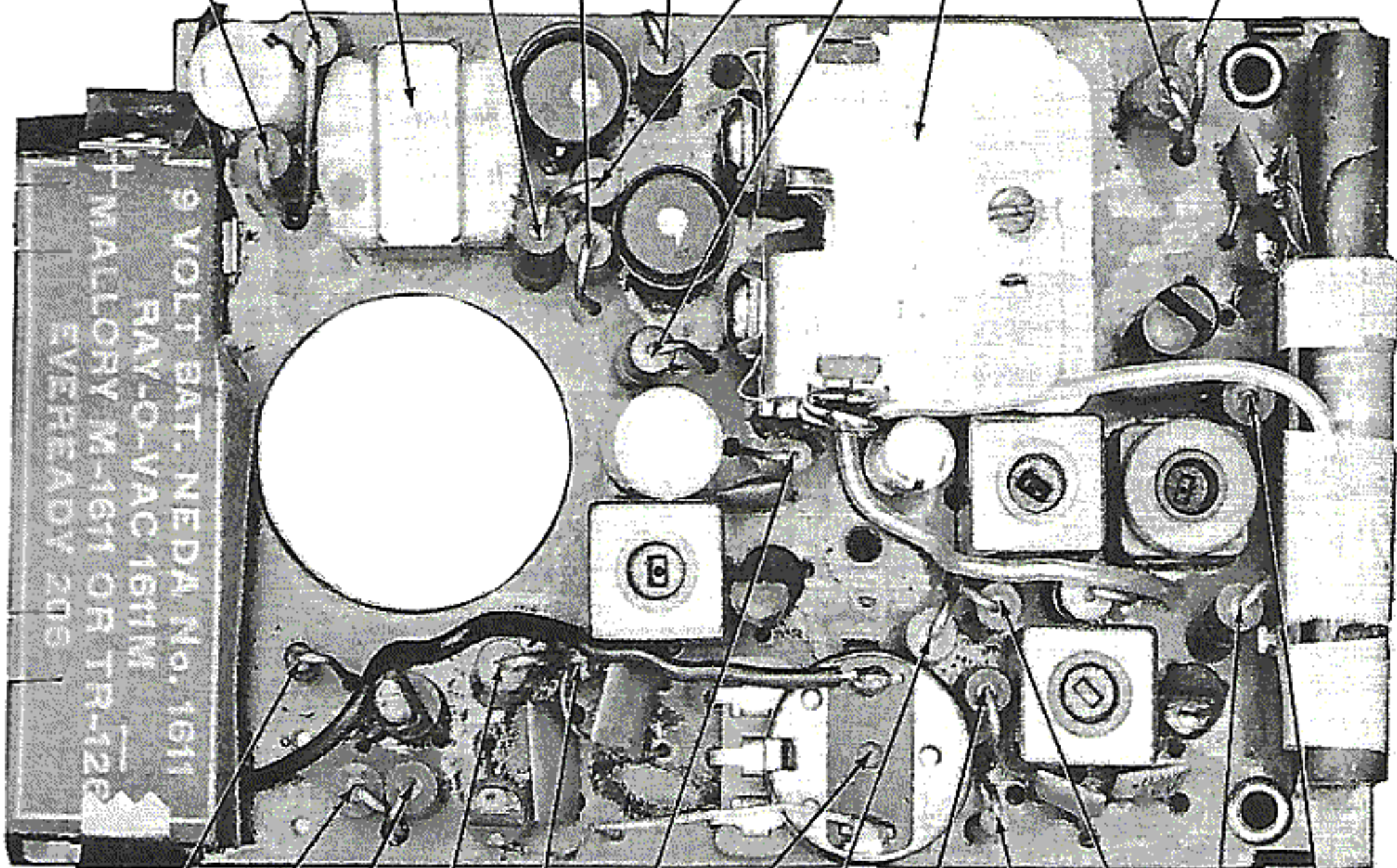
(When Ordering Specify Model, Chassis & Color)

ITEM	PART No.	ITEM	PART No.
Knob - Tuning	98733-29	Cabinet Front	00304-1
Knob - Volume	98734-29	Cabinet Back	08702-208

WIRING DATA

General-use Unshielded Hook-up Wire Use BELDEN No. 8530 (Solid 22AWG) Available in 12 Colors
 8524 (Stranded 22AWG)
 8570 (Stranded 26AWG)

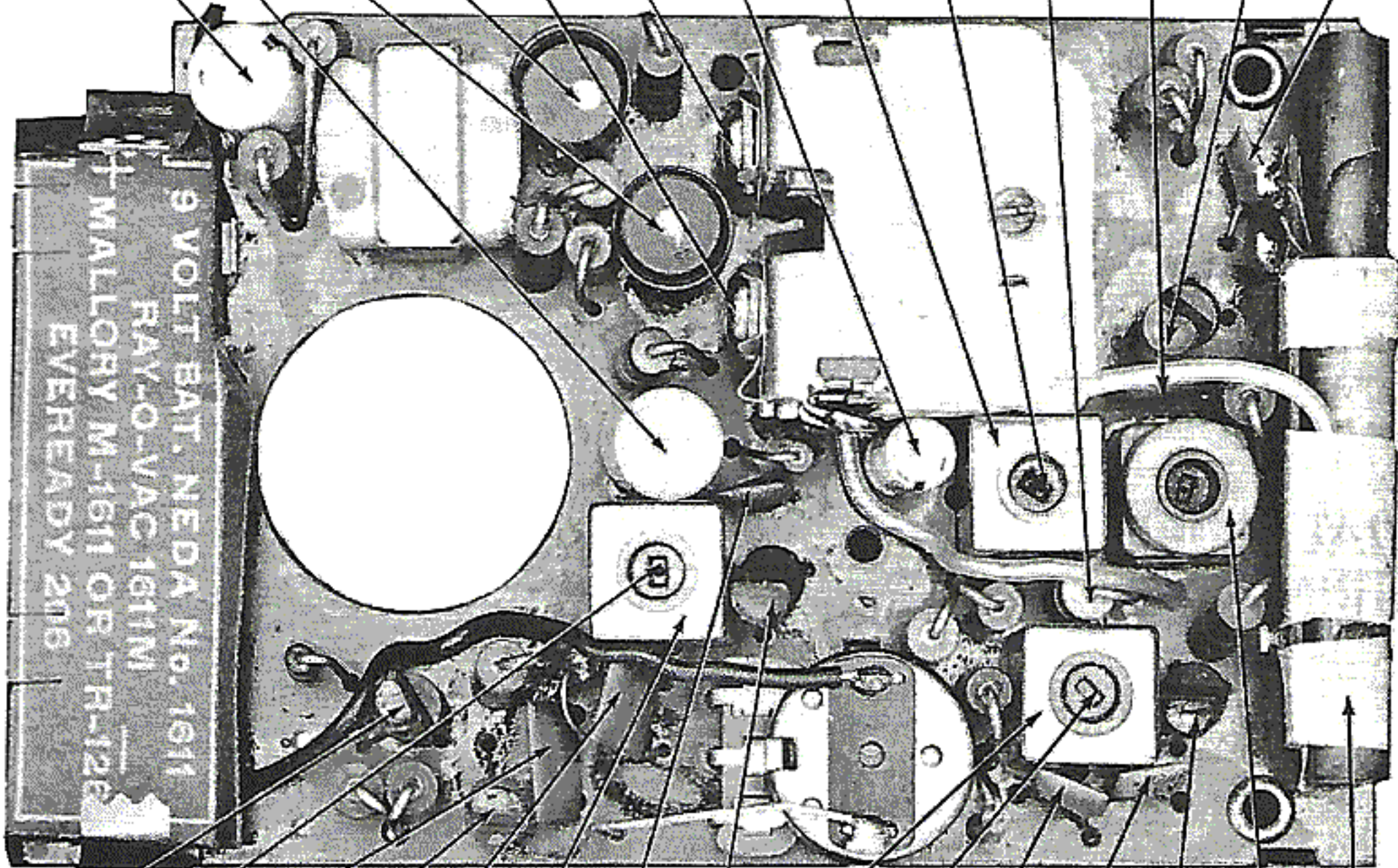
R21 R22 T1 R18 R20 R23 R19 R24 M2 R6 R5



R16 R17 R15 R14 M3 R11 R1 R12 R9 R10 R13 R8 R7

1620KC 1400KC 455KC

C3 C1 X6 X7 A4 A6 C2 L3 A3 C13 C11 X1 C10



X5 A1 C17 X4 C16 L5 C15 X3 L4 A2 C14 C12 X2 L2 L1

455KC

455KC

9 VOLT BATT. NEDA No. 1611
RAY-O-VAC 1611M
MALLORY M-1611 OR TR-122
EVEREADY 206

9 VOLT BATT. NEDA No. 1611
RAY-O-VAC 1611M
MALLORY M-1611 OR TR-122
EVEREADY 206