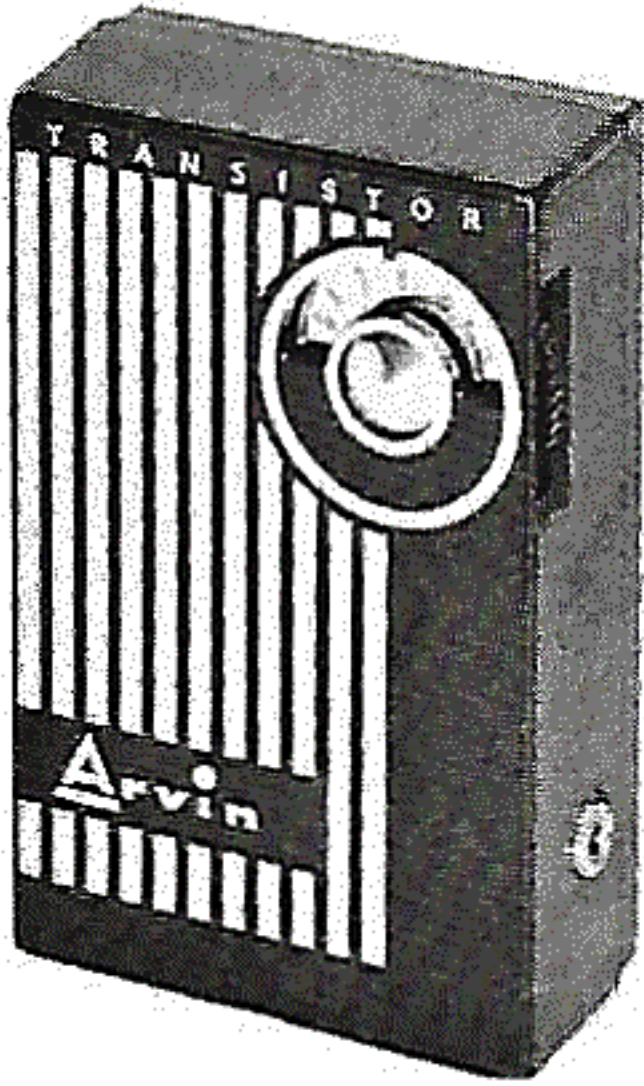




PHOTOFACT[®] with

CIRCUITRACE[®]



Met dank aan Jef Bos

TRADE NAME : Arvin Model 62R09 (Ch. 1. 66601)

SUPPLIER : Arvin Industries, Inc.,
Columbus, Indiana

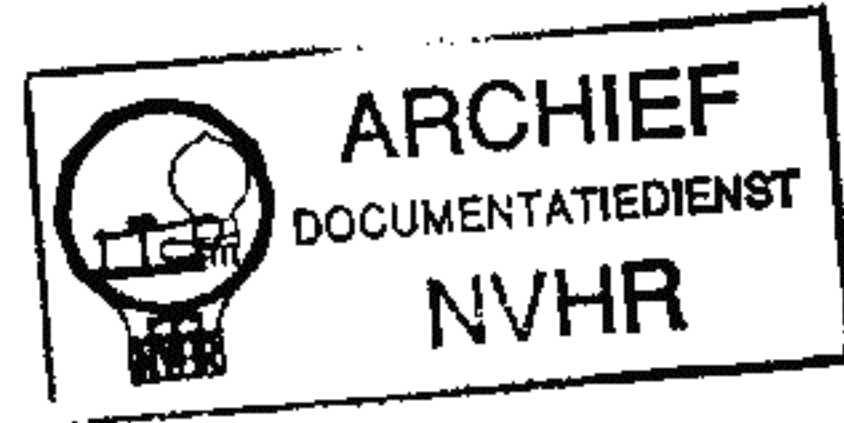
TYPE SET : 5 Transistor AM Receiver

POWER SUPPLY : 9 Volts DC

RATING : 10MA @ 9 VDC

TUNING RANGE : BROADCAST 535 - 1620KC

Ned. Ver. v. Historie v/d Radio



ALIGNMENT INSTRUCTIONS

Check for specified source voltage.

Fashion loop of several turns of wire and connect generator across loop.

Adjust output of generator to radiate only enough signal into receiver to obtain a suitable indication.

Suggested Alignment Tools:

A1, A2, A3..... GENERAL CEMENT #9440
 A4, A5..... GENERAL CEMENT #5000, 5066, 8290
 WALSCO #2525

	SIGNAL GENERATOR FREQUENCY	RADIO DIAL SETTING	INDICATOR	ADJUST	REMARKS
1.	455KC (400% Mod.)	Tuning gang fully open.	Output Meter across voice coil.	A1, A2, A3	Adjust for maximum. Repeat as required.
2.	1620KC	"	"	A4	Adjust for maximum.
3.	600KC	Tune to Signal.	"	A5	Rock tuning gang and adjust for maximum. Repeat steps 2 and 3.
4.	1400KC	"	"	A6	Adjust for maximum.

HOWARD W. SAMS & CO., INC. Indianapolis 6, Indiana

WIRING DATA

General-use Unshielded Hook-up Wire	Use BELDEN No. 8530 (Solid 22AWG)	Available
	8524 (Stranded 22AWG)	in
	8570 (Stranded 28AWG)	12 Colors

TRANSISTORS

ITEM No.	ORIG. TYPE	USE	REPLACEMENT DATA			NOTES
			DELCO PART No.	GENERAL ELECTRIC PART No.	RCA PART No.	
X1	2N212	Converter		GE-6		NPN
X2	2N94	1st IF Amp.		GE-7		NPN
X3	2N233A	2nd IF Amp.		GE-7		NPN
X4	S95201	Driver	DS26	GE-2	2N406	PNP
X5	S95204	Output	DS26	GE-2	2N408	PNP

ELECTROLYTIC CAPACITORS

ITEM No.	RATING		REPLACEMENT DATA						
	CAP.	VOLT.	ARVIN PART No.	AEROVOX PART No.	CORNELL-DUBILIER PART No.	GENERAL ELECTRIC PART No.	MALLORY PART No.	PYRAMID PART No.	SPRAGUE PART No.
C1	10	10	49385-6	BCD10010	ECPB408	MT1-5	TT12X10	MLV10-10	VL-1127
C2	10	10	49385-6	BCD10010	ECPB408	MT1-5	TT12X10	MLV10-10	VL-1127
C3	50	10	49385-4	BCD10050	NLW50-10	MT1-16		MLV50-10	TE-1119
C4	10	10	49385-6	BCD10010	ECPB408	MT1-5	TT12X10	MLV10-10	VL-1127
C5	50	10	49385-4	BCD10050	NLW50-10	MT1-16		MLV50-10	TE-1119
C6	50	10	49385-4	BCD10050	NLW50-10	MT1-16		MLV50-10	TE-1119

FIXED CAPACITORS

ITEM No.	RATING	REMARKS	REPLACEMENT DATA					
			AEROVOX PART No.	CENTRALAB PART No.	CORNELL-DUBILIER PART No.	ELMENCO PART No.	MALLORY PART No.	SPRAGUE PART No.
C7	.05		TTD-05	CK-503	H05S5		TA-150	TG-S50
C8	.0047		TTD-005	CK-502	H05D5		TA-250	TG-D50
C9	3		NPO-DI 3.0	DTZ-3R3	C10V3C	CCTO-3R3	CNO-533	10TCC-V33
C10	.02		TTD-02	CK-203	H05S2		TA-120	TG-S20
C11	.02		TTD-02	CK-203	H05S2		TA-120	TG-S20
C12	24 NPO 10%		NPO-DI 25	TCZ-24	C10Q24C	CCTO-240	CNO-425	10TCC-Q25
C13	.05		TTD-05	CK-503	H05S5		TA-150	TG-S50
C14	.02		TTD-02	CK-203	H05S2		TA-120	TG-S20
C15	.0015		DI-1500	DD-152	L10DI5	CCD-152	GP215	10TS-D15

CONTROLS

All wattages 1/2 watt, or less, unless otherwise listed.

ITEM No.	USE	RESISTANCE	REPLACEMENT DATA				
			ARVIN PART No.	CENTRALAB PART No.	CLAROSTAT PART No.	CTS-IRC PART No.	MALLORY PART No.
R1	Volume & Switch	2000 Ω	49379-1				

D DESCRIPTION

COILS (RF-IF)

ITEM No.	USE	REPLACEMENT DATA					NOTES
		ARVIN PART No.	MERIT PART No.	MILLER PART No.	STANCOR PART No.	WORKMAN PART No.	
L1	Loopbar	44511-10					
L2	Oscillator	49382-3					
L3	1st IF	49388-10					
L4	2nd IF	49388-20					
L5	3rd IF	49388-30					

TRANSFORMER (AUDIO OUTPUT)

ITEM No.	IMPEDANCE		REPLACEMENT DATA					NOTES
			ARVIN PART No.	MERIT PART No.	STANCOR PART No.	THORDARSON PART No.	TRIAD PART No.	
	PRI.	SEC.						
T1	1150Ω	10-12Ω	44858-5					

SPEAKER

ITEM No.	TYPE	REPLACEMENT DATA		NOTES
		ARVIN PART No.	QUAM PART No.	
SP1	2 1/4" PM 10-12Ω	49506-4		

BATTERIES

ITEM No.	VOLTAGE	ARVIN PART No.	REPLACEMENT DATA			NOTES
			BURGESS	EVEREADY	MALLORY	
M1	9V		L6	206	M-1611 ① TR-126 ②	① Zinc Carbon ② Mercury

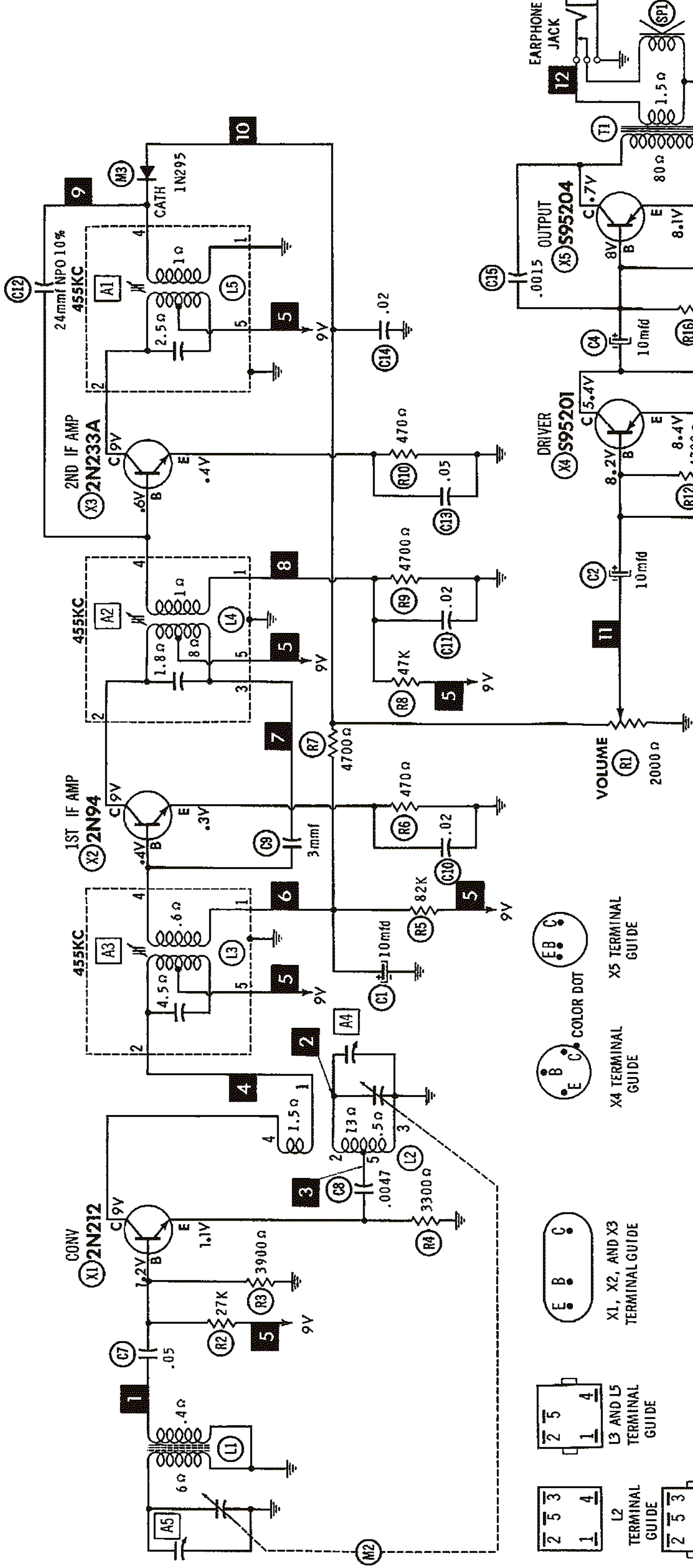
MISCELLANEOUS

ITEM No.	PART NAME	ARVIN PART No.	NOTES
M2	Tuning Cap.	49494-2	
M3	Detector (1N295)	48287	

CABINETS & CABINET PARTS

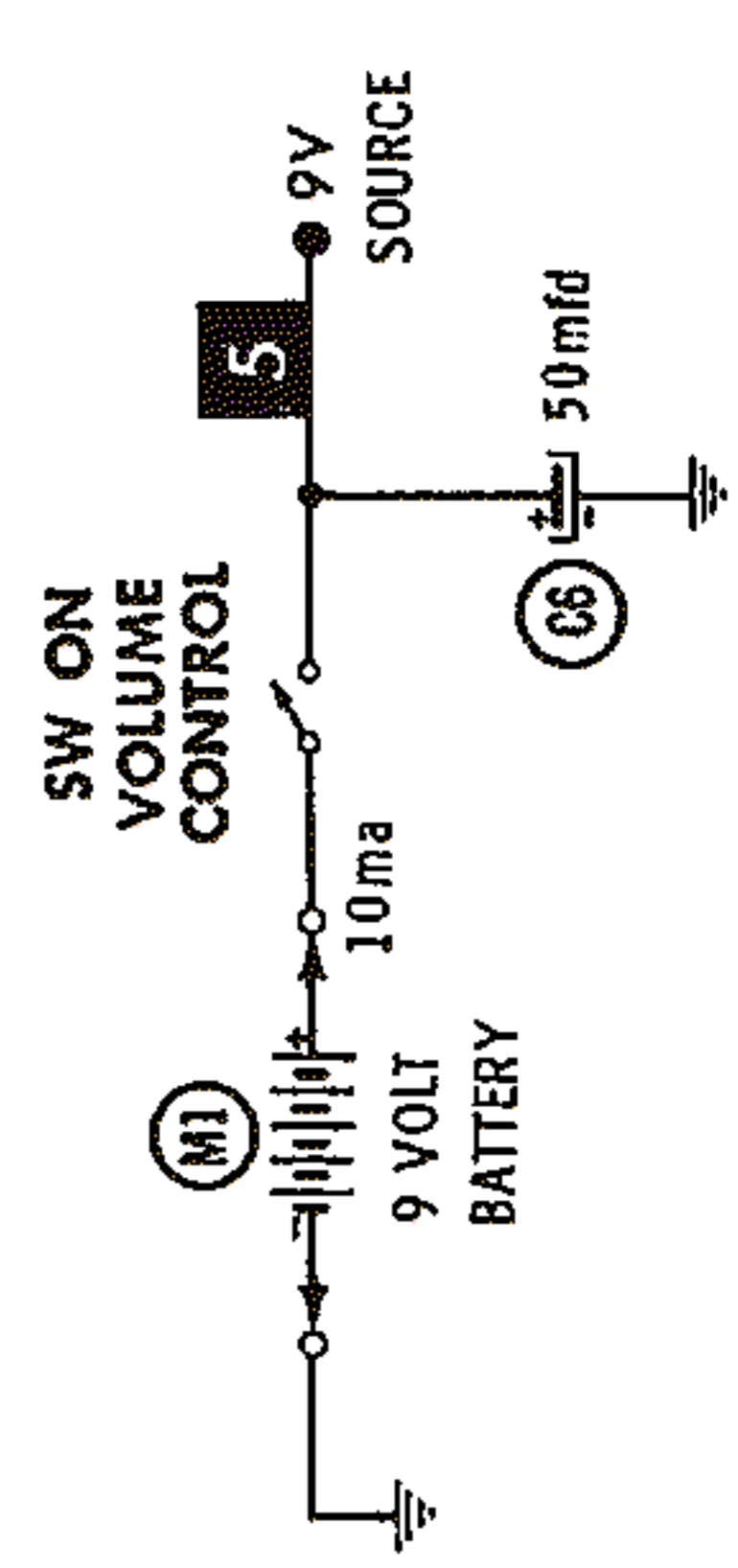
(When Ordering Specify Model, Chassis & Color)

ITEM	PART No.	ITEM	PART No.
Knob, Volume	96474-29	Cabinet, Front	96935-29
Knob, Tuning	96936-29	Cabinet, Back	96217-29



**ARVIN MODEL 62R09
(Ch. 1.66601)**

1. Voltage measurements taken with vacuum tube voltmeter.
2. All controls set for normal operation, no signal applied.
3. Measured values are from socket pin or terminal to common ground.
4. All terminals viewed from bottom unless otherwise designated.
5. Numbers assigned to terminals may not be found on the unit.
6. Supply voltage maintained at rated value for voltage readings.
7. Resistance measurements not given because of the wide variation in internal resistance of transistor.



A PHOTOFACT STANDARD NOTATION SCHEMATIC with **CIRCUITACE**

