

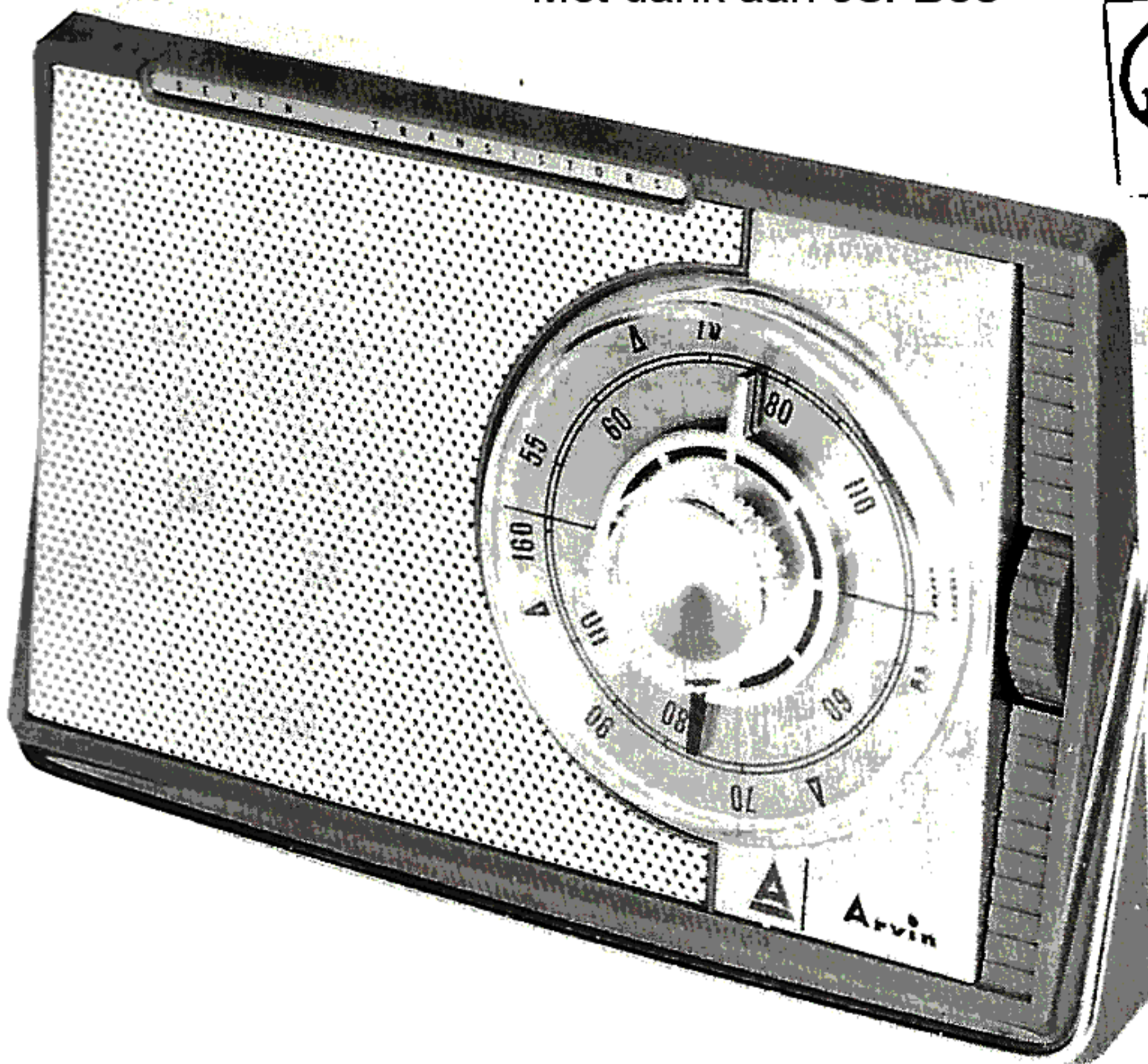
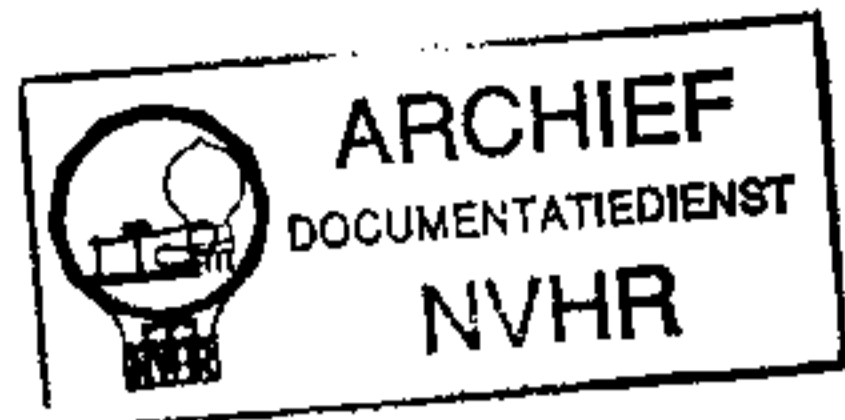
**PHOTOFACT® Folder**

with **CIRCUITRACE®**

**ARVIN MODELS 60R33, 60R35,  
60R38, 60R58 (Ch. 1.47601, 1.50300)**

Ned. Ver. v. Historie v/d Radio

Met dank aan Jef Bos



<b>TRADE NAME</b>	Arvin Models 60R33, 60R35, 60R38 (Ch. 1.47601); 60R58 (Ch. 1.50300)		
<b>MANUFACTURER</b>	Arvin Industries, Inc., Columbus, Indiana		
<b>TYPE SET</b>	Battery Operated Transistorized Portable AM Receiver		
<b>POWER SUPPLY</b>	6 Volts DC	<b>RATING</b>	8MA @ 6 Volts DC (No Signal, Min. Volume)
<b>TUNING RANGE</b>	BROADCAST 540 - 1670KC		20MA @ 6 Volts DC (Signal, Normal Volume)

## ALIGNMENT INSTRUCTIONS

### ALIGNMENT INSTRUCTIONS—READ CAREFULLY BEFORE ATTEMPTING ALIGNMENT

Volume control should be at maximum position. Output of signal generator should be no higher than necessary to obtain an output reading.

**Suggested Alignment Tools:**

A1, A2, A3 .. GENERAL CEMENT #5009, 8195, 8274, 8275, 8728, 8729, 8987, 8988, 8989  
 WALSCO #2515, 2531, 2532

A4, A5 ..... GENERAL CEMENT #5004, 5009, 8195, 8274, 8275, 8607, 8728, 8987, 8988,  
 8989, 9291  
 WALSCO #2515, 2520, 2522, 2523, 2531, 2532, 2534, 2537, 2538

A6 ..... GENERAL CEMENT #8282, 8606, 8606-L, 9295, 9440  
 WALSCO #2526, 2543, 2544, 2545

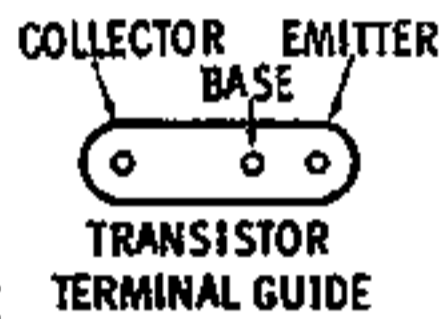
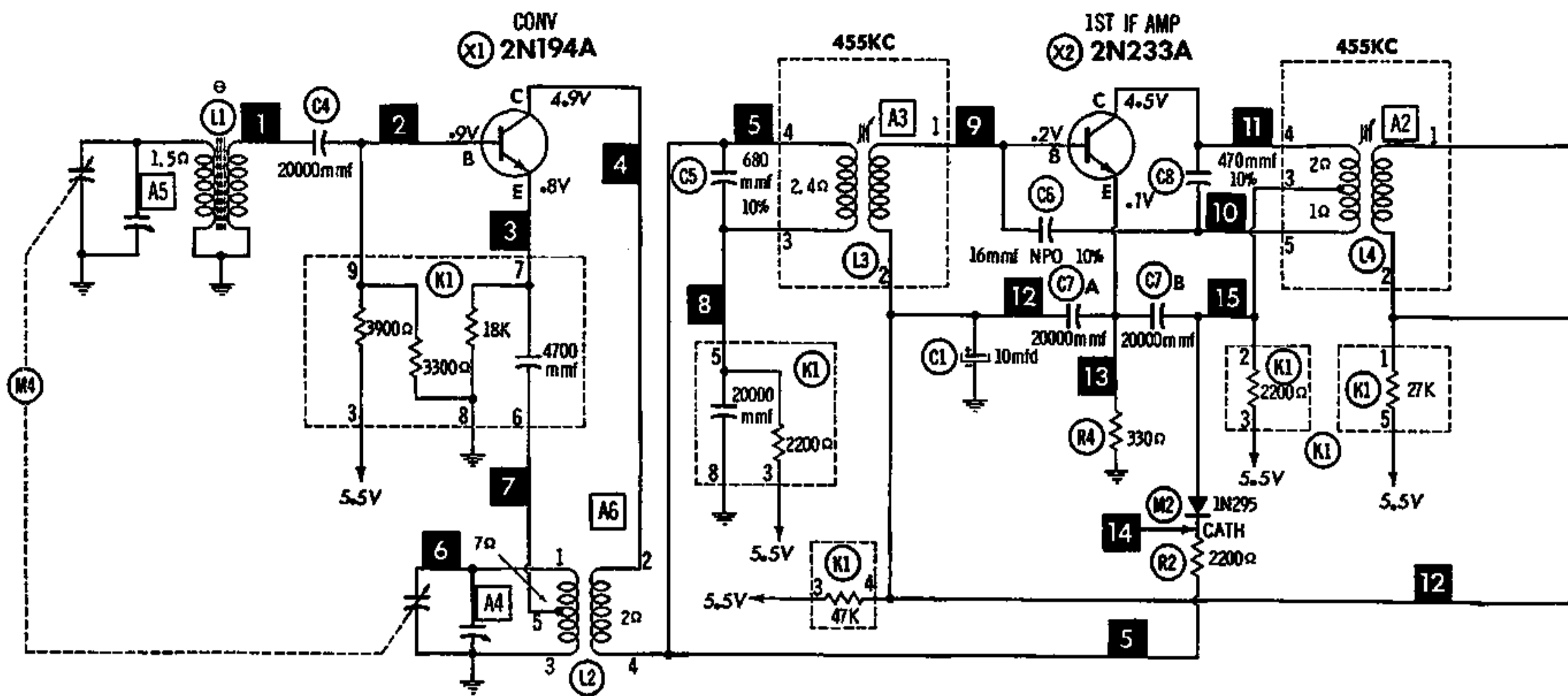
	SIGNAL GENERATOR COUPLING	SIGNAL GENERATOR FREQUENCY	RADIO DIAL SETTING	OUTPUT METER	ADJUST	REMARKS
1.	High side thru .05mfd to antenna stator of tuning gang. Low side to chassis.	455KC (400% Mod.)	Tuning gang fully open	Across voice coil	A1, A2, A3	Adjust for maximum output.
2.	Loop	1670KC	"	"	A4	Fashion loop of several turns of wire and radiate signal into loop of receiver. Adjust for maximum output.
3.	"	1400KC	1400KC Signal	"	A5	"
4.	"	600KC	600KC Signal	"	A6	Adjust for maximum output while rocking tuning gang.

**HOWARD W. SAMS & CO., INC.** Indianapolis 6, Indiana

The listing of any available replacement part herein does not constitute in any case a recommendation, warranty or guaranty by Howard W. Sams & Co., Inc., as to the quality and suitability of such replacement part. The numbers of these parts have been compiled from information furnished to Howard W. Sams & Co., Inc., by the manufacturers of KF168

the particular type of replacement part listed. Reproduction or use, without express permission, of editorial or pictorial content, in any manner, is prohibited. No patent liability is assumed with respect to the use of the information contained herein. © 1960 Howard W. Sams & Co., Inc., Indianapolis 6, Indiana. Printed in U.S. of America

**ARVIN MODELS 60R33, 60R35,  
60R38, 60R58 (Ch. 1.47601, 1.50300)**



1. DC voltage measurements taken with vacuum tube voltmeter.
2. Socket connections or transistor terminals are shown as bottom views.
3. Measured values are from socket pin or terminal to common ground.
4. Nominal tolerance on component values makes possible a variation of  $\pm 15\%$  in voltage and resistance readings.
5. Volume control at maximum, no signal applied for voltage measurements.

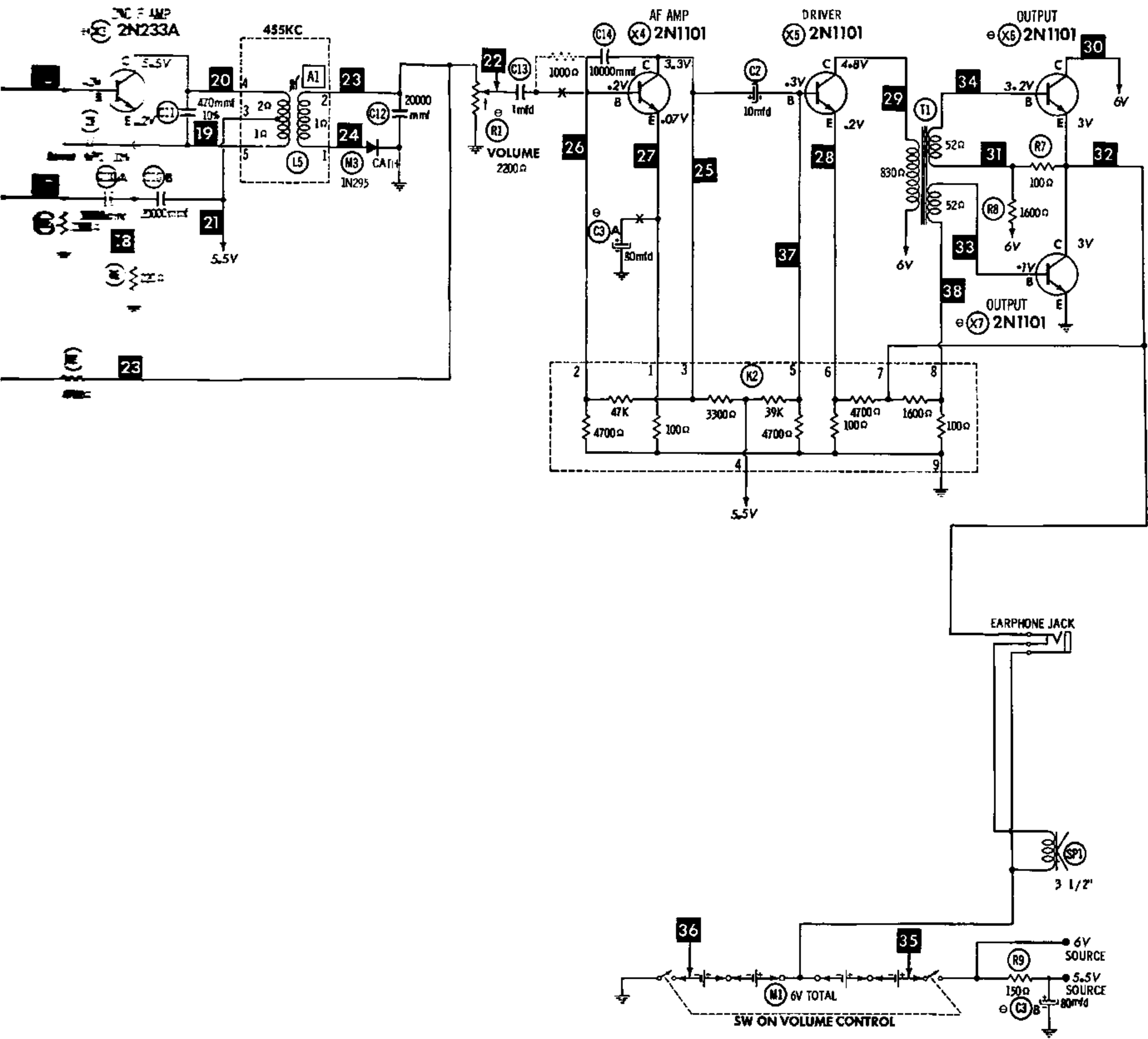
⊗ SEE PARTS LIST FOR ALTERNATE VALUE OR APPLICATION

DC COIL RESISTANCE VALUES UNDER ONE OHM NOT SHOWN ON SCHEMATIC DIAGRAM

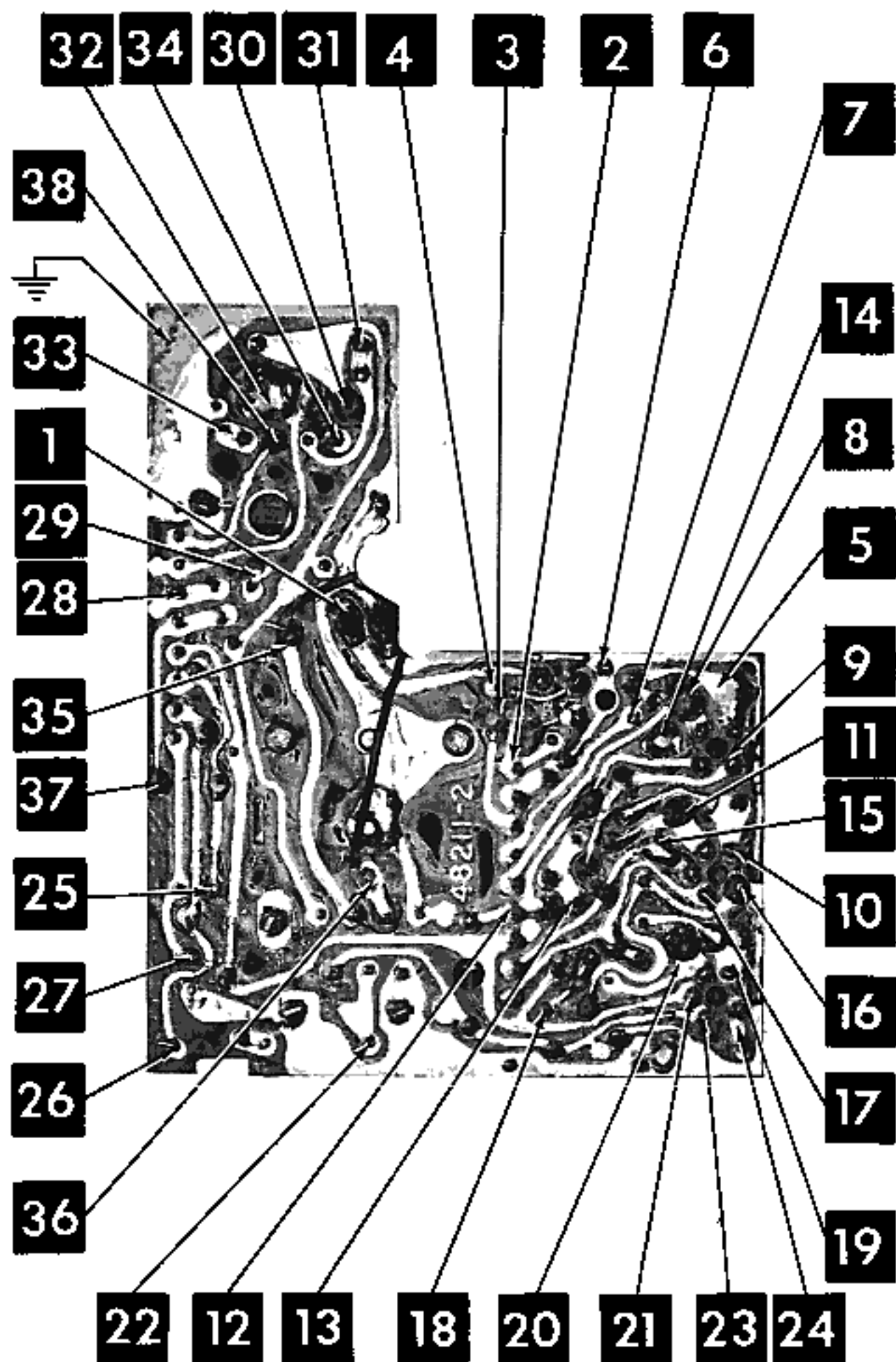
ARROWS ON CONTROLS INDICATE CLOCKWISE ROTATION (CONTROL VIEWED FROM SHAFT END)

NUMBERS ASSIGNED TO COILS, SWITCHES, PLUGS, SOCKETS, AND TRANSFORMERS ARE TO FACILITATE CIRCUIT TRACING OR COMPONENT REPLACEMENT AND MAY NOT NECESSARILY BE FOUND ON THE UNIT.

RESISTANCE MEASUREMENTS FOR X1 THRU X7 NOT GIVEN BECAUSE OF THE WIDE VARIATION IN INTERNAL TRANSISTOR RESISTANCE.



ARVIN MODELS 60R33, 60R35, 60R38, 60R58 (Ch. 1.47601, 1.50300)



# PARTS LIST AND DESCRIPTIONS (Continued)

## TRANSFORMER (DRIVER)

ITEM No.	TURNS RATIO		REPLACEMENT DATA					NOTES
			ARVIN PART No.	Merit PART No.	Stancor PART No.	Thordarson PART No.	Triad PART No.	
	PRI.	SEC.1						
TI	4	1 SEC.2 1	45804-7					

## SPEAKER

ITEM No.	TYPE			REPLACEMENT DATA		NOTES
				ARVIN PART No.	QUAM PART No.	
	SIZE	FIELD	V. C. IMP.			
SPI	3½" 5"	PM	29.2Ω	46523-4 45599-9 *	3A05Z30	* Used in Chassis 1.50300

## BATTERIES

ITEM No.	VOLTAGE	ARVIN PART No.	REPLACEMENT DATA						NOTES
			BURGESS		EVEREADY		MALLORY		
			"A"	"B"	"A"	"B"	"A"	"B"	
M1	1.5V			130 *		635 *		M-14R *	* Four required

## CRYSTAL DIODES

ITEM No.	ORIG. TYPE	REPLACEMENT DATA			NOTES
		ARVIN PART No.	RAYTHEON PART No.	SYLVANIA PART No.	
M2	1N295	43959	1N295	1N295	Overload & AVC (Pigtail) Detector (Pigtail)
M3	1N295	43959	1N295	1N295	

## MISCELLANEOUS

ITEM No.	PART NAME	ARVIN PART No.	NOTES
M4	Tuning Cap. Tuning Cap. Printed Board	48346 48384 48211-2	2 Gang, Chassis 1.47801 2 Gang, Chassis 1.50300

## CABINETS & CABINET PARTS

(When Ordering Cabinets & Cabinet Parts, Specify Model, Chassis & Color)

NAME	PART NO.	DESCRIPTION
Knob	46807-29	Station Indicator, Black, Models 60R33, 60R35, 60R38
Knob	46659	Tuning, Models 60R33, 60R35, 60R38
Knob	47896-188	Volume, Models 60R33, 60R35, 60R38
Knob	47896-115	Volume, Slate Blue, Models 60R33, 60R35, 60R38
Knob	47896-33	Volume, Flame, Models 60R33, 60R35, 60R38
Cabinet	47900-33	Front Assembly, Flame, Models 60R33, 60R35, 60R38
Cabinet	47900-115	Front Assembly, Slate Blue, Models 60R33, 60R35, 60R38
Cabinet	47900-188	Front Assembly, Taupe, Models 60R33, 60R35, 60R38
Cabinet	46611-135	Back, Moonstone, Models 60R33, 60R35, 60R38
Cabinet	46611-208	Back, Sandstone, Models 60R33, 60R35, 60R38
Handle	47891-1	Chrome, Models 60R33, 60R35, 60R38
Handle	47891-2	Brass, Models 60R33, 60R35, 60R38
Knob	48216	Station Indicator, Model 60R58
Knob	47731	Volume, Model 60R58
Knob	48215	Tuning, Model 60R58
Cabinet	49054-198	Model 60R58

## WIRING DATA

General-use Unshielded Hook-up Wire ..... Use BILLYEN No. 8530 (Solid) Available in Ten Colors  
8524 (Stranded) Available in Ten Colors

**CHASSIS—TOP VIEW**

