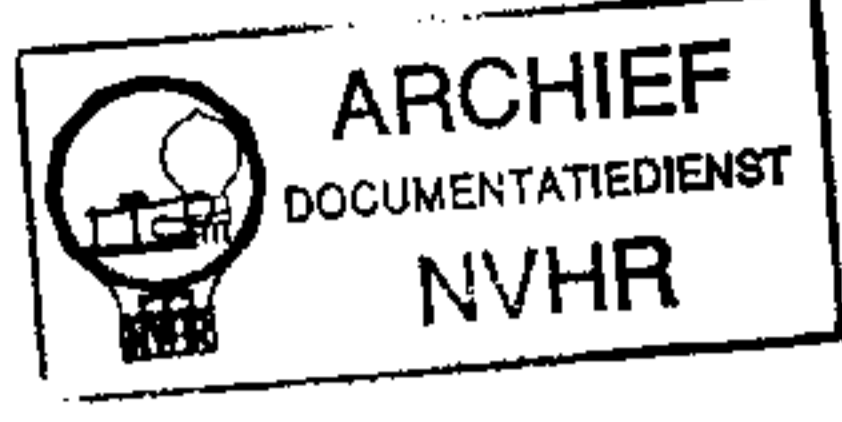
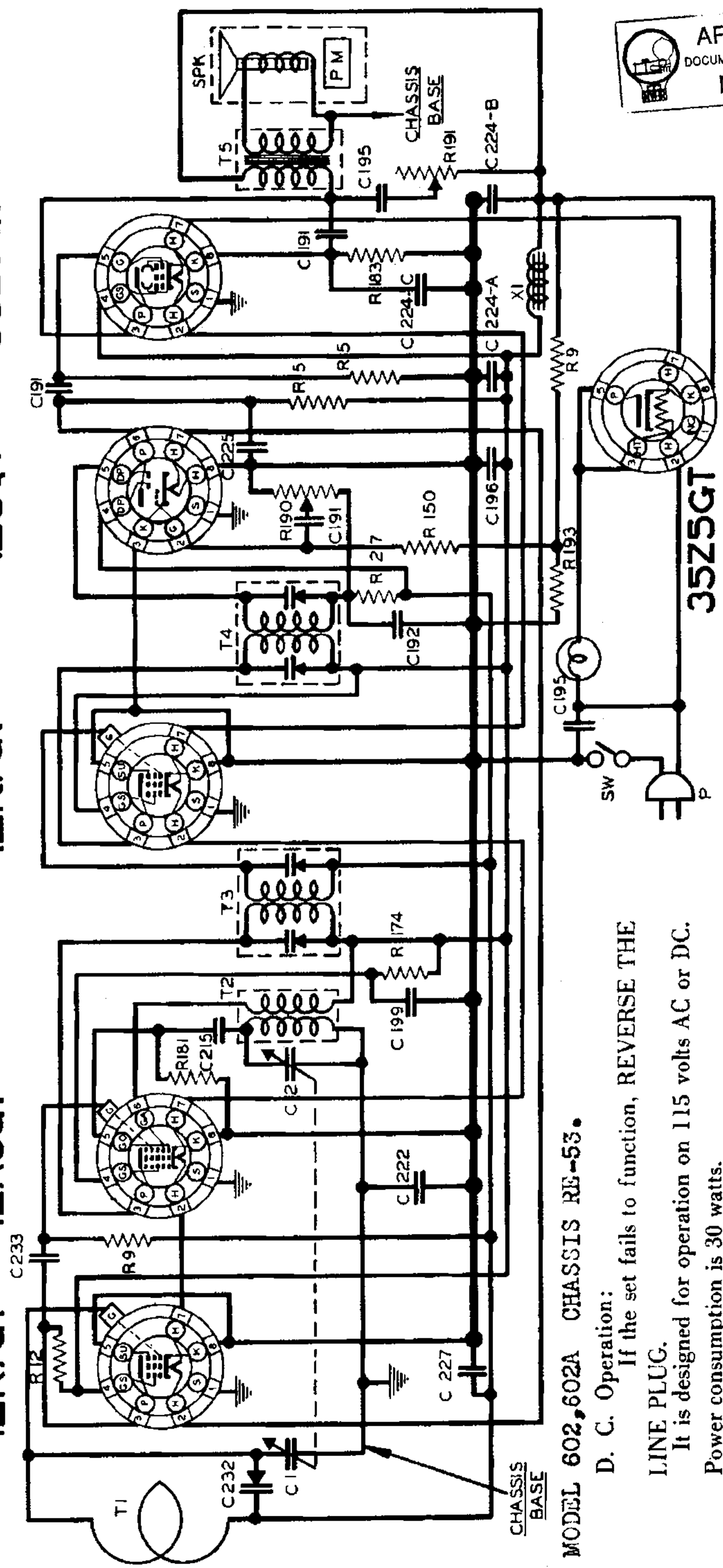


NOBLITT-SPARKS INDUSTRIES, INC MODELS 602,602A
Chassis RE-53
Schematic, Alignment

Ned. Ver. v. Historie v/d Radio



12K7GT 12A8GT 12K7GT 12SQT 35L6GT



MODEL 602,602A CHASSIS RE-53.

D. C. Operation:
If the set fails to function, REVERSE THE
LINE PLUG.
It is designed for operation on 115 volts AC or DC.
Power consumption is 30 watts.

RESISTORS		CONDENSERS		TRANSFORMERS & CHOKES		MISCELLANEOUS UNITS	
R	OHM	C	CAPACITY	T	TRANSFORMER	SYMBOL	MISCELLANEOUS UNITS
5	500K	1	TWO-GANG	1	ANTENNA LOOP	L	DIAL LIGHT BULB - MAZDA 47
9	1M	2	VARIABLE	2	OSCILLATOR COIL	P	LINE CORD & PLUG ASSEMBLY
12	10K	191	.01	3	FIRST I.F. COIL	SPK	PERMANENT MAGNET SPEAKER
27	2M	192	.00025	4	SECOND I.F. COIL	SW	LINE SWITCH (SEE VOLUME CONTROL)
190	5M	195	.05	5	OUTPUT TRANS.		
174	20K	198	.1				
181	100K	199	.02	X	CHOKES		
183	150	215	.0001	1	IRON CORE CHOKE		
190	1M	222	.2				
191	100K	224A	10 MFD.				
193	2K	224B	20 MFD.				
		224C	10 MFD.				
		225	.0005				
		227	.05				
		232	2-20 ULP				
		233	.000035				

I.F. PEAK 455 K.C.
BALANCE 1400 K.C. - CHECK AT 600K.C.
NOBLITT-SPARKS INDUSTRIES, INC.,
COLUMBUS, INDIANA