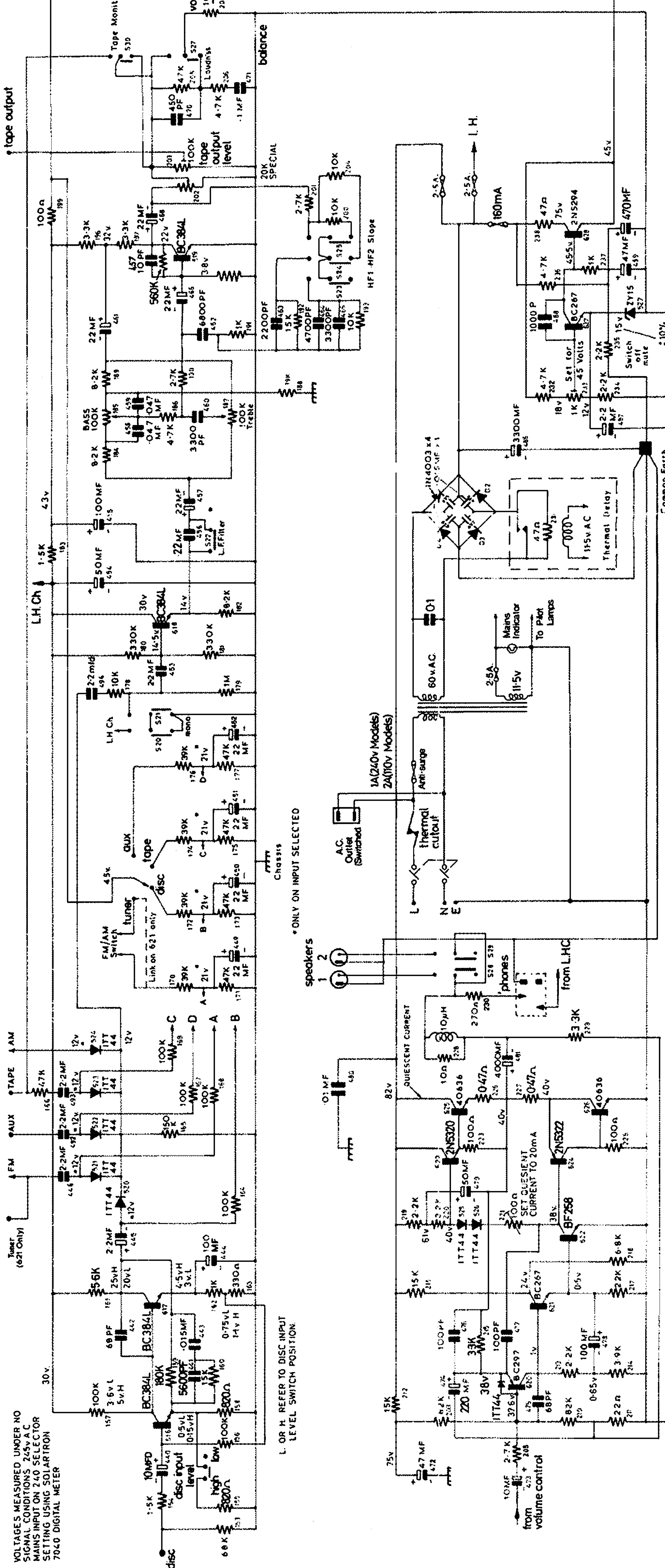


VOLTAGES MEASURED UNDER NO SIGNAL CONDITIONS 245V A.C. MAINS INPUT ON 240 SELECTOR SETTING USING SOLARTRON 7040 DIGITAL METER



Power-supply and Amplifier sections 621 Amplifier, 625 and 626 Receivers (single voltage models)

see panel A for details of power supply for multi voltage sets