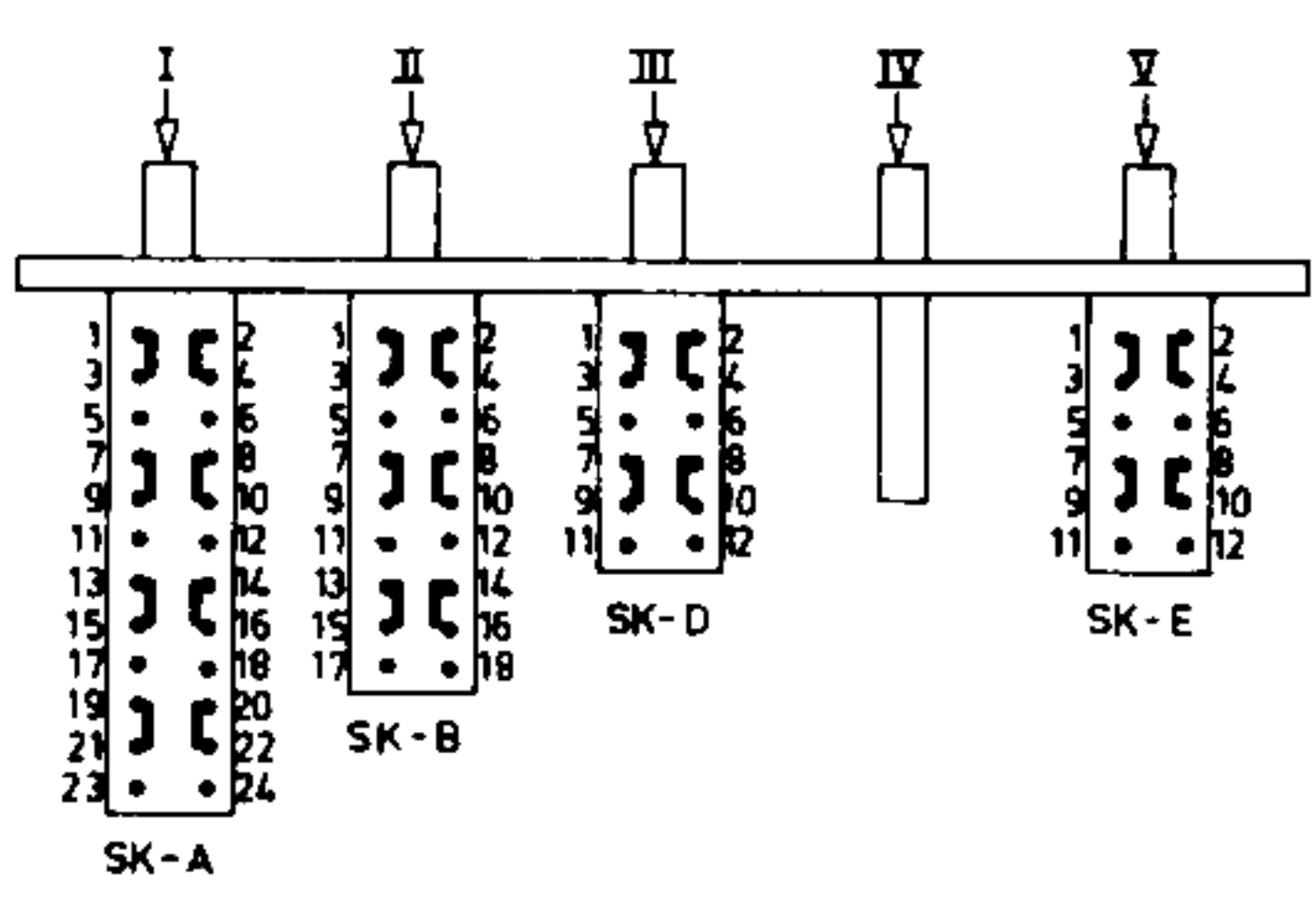
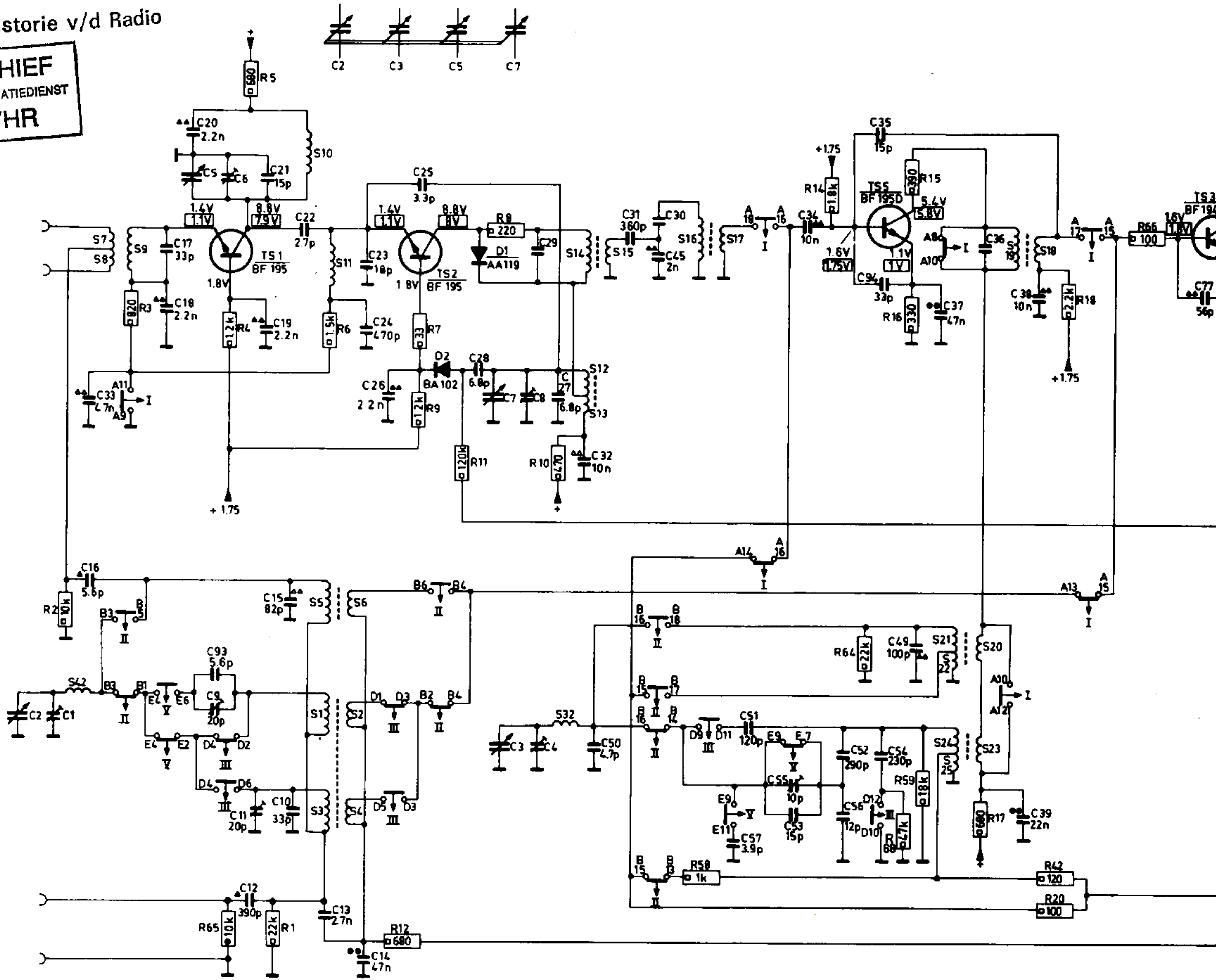


S	42. 7. 8. 9.	5.1.3.10.11.6.2.4.	32.14. 12.13.15.	16. 17.	21.22.24.25.20.23. 19. 18.
C	33. 17.18. 20.5. 6. 21.19. 22.	23.24.26. 25. 28. 7. 8.29.27	32. 31. 30.45.	34.	35.94. 37. 36. 38. 77.
C 2.	1. 16.	93.9. 11.12. 15.10. 13. 14.	3. 4. 50.	51.57. 55.53. 52.56. 54.49.	39.
R	3.	4. 5. 6. 7.9. 11. 8. 10.		14. 16. 15.	18. 66.
R	2.	65. 1. 12.	58.	64. 68.59.	17. 42.20.

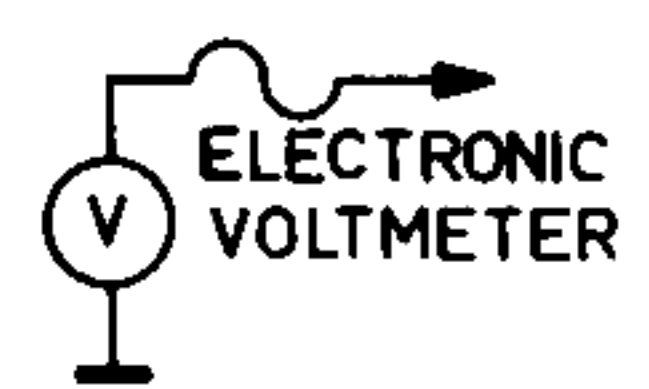
Historie v/d Radio

ARCHIEF
DOCUMENTATIEDIENST
NVHR



- I - FM -
- II - SW -
- III - LW -
- IV - MW1 -
- V - MW2 -
- VI - ON/OFF

THE CIRCUIT DIAGRAM SHOWS POSITION MW I



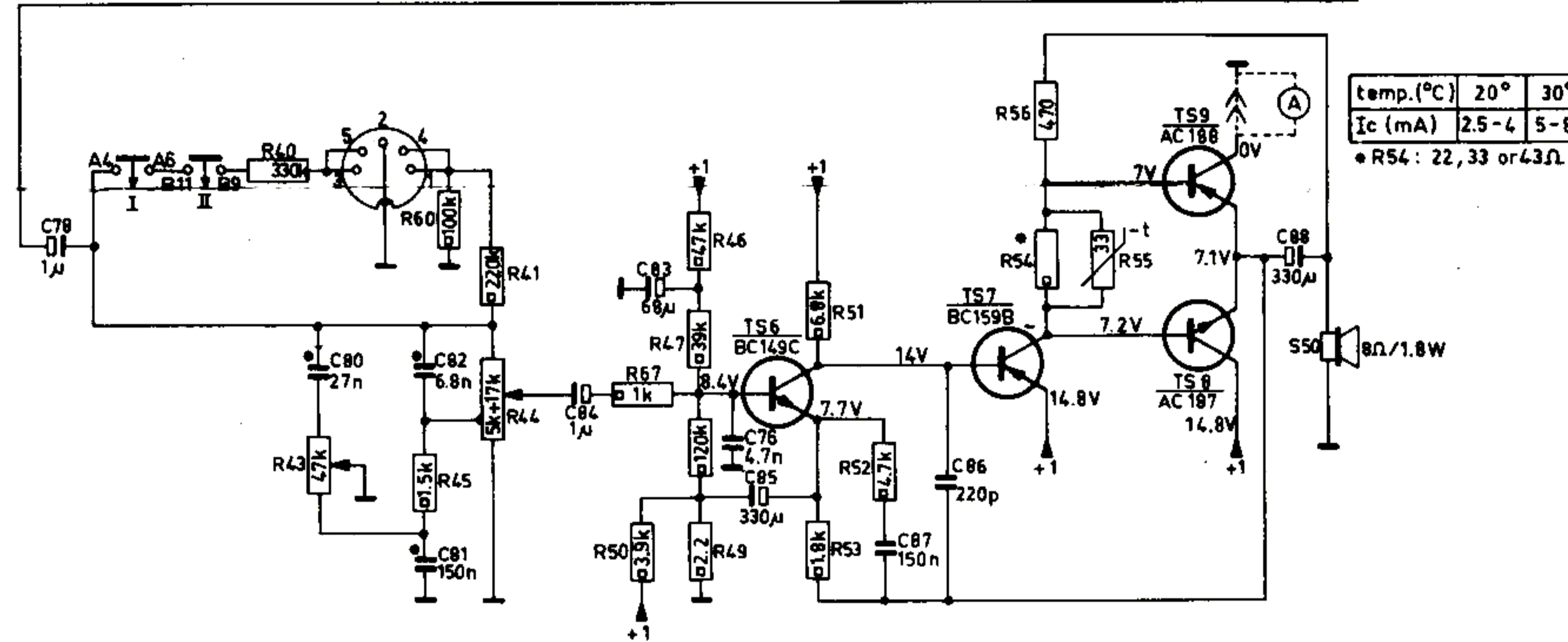
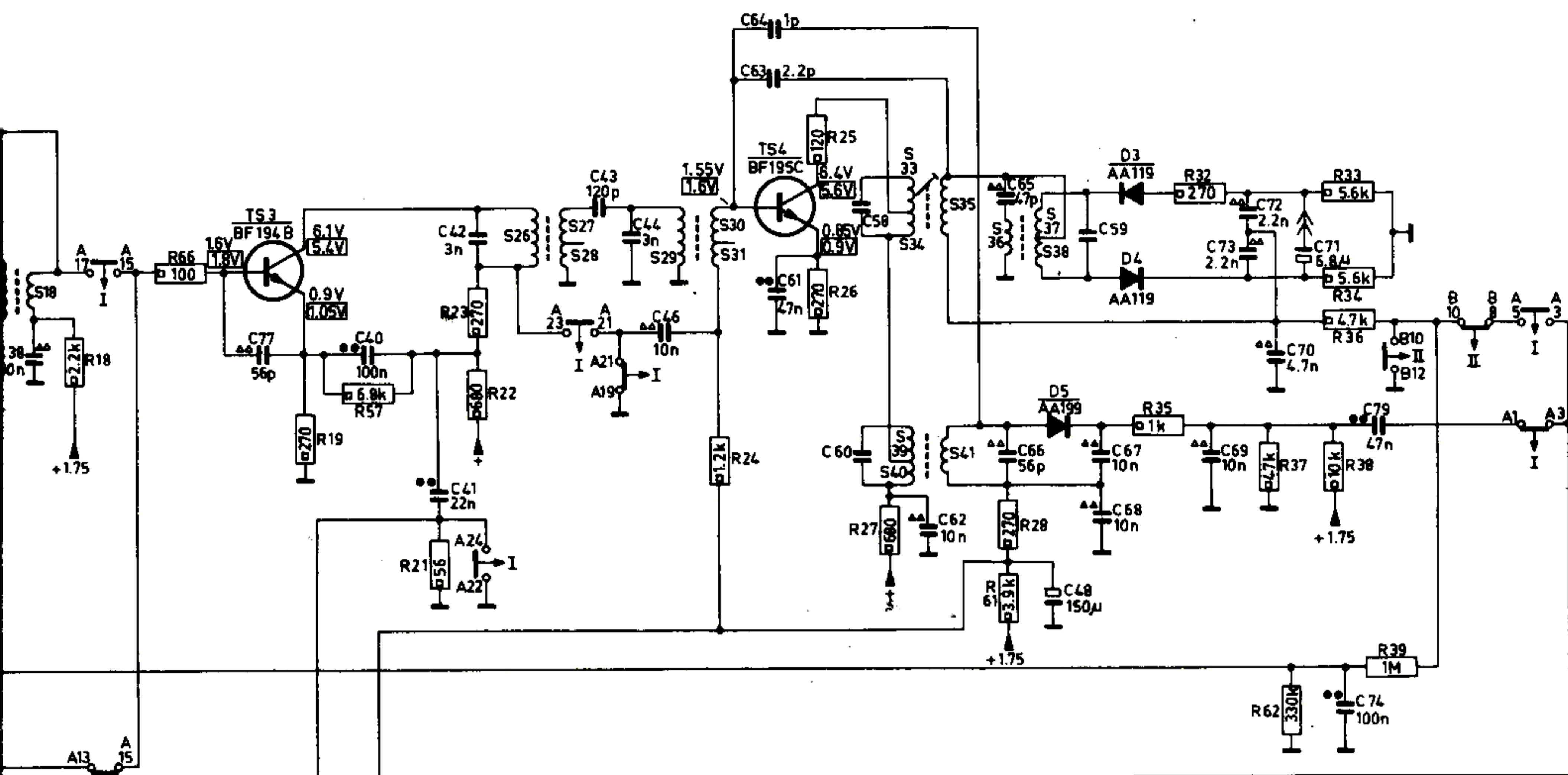
.....V → FM
.....V → MW

+	R31	1.75
7.8 - 8.1V	240	1.65
8.1 - 8.4V	180	—
8.4 - 8.7V	120	2.05

+ Measured << A op

- Carbon resistor E24 series 0.125 W 5%
- Carbon resistor E12 series 0.25 W < 1 MΩ 5% > 1 MΩ 10%
- Tubular ceramic capacitor 500 V
- Plate ceramic capacitor
- Polyester capacitor 400 V
- Flat-foil polyester capacitor

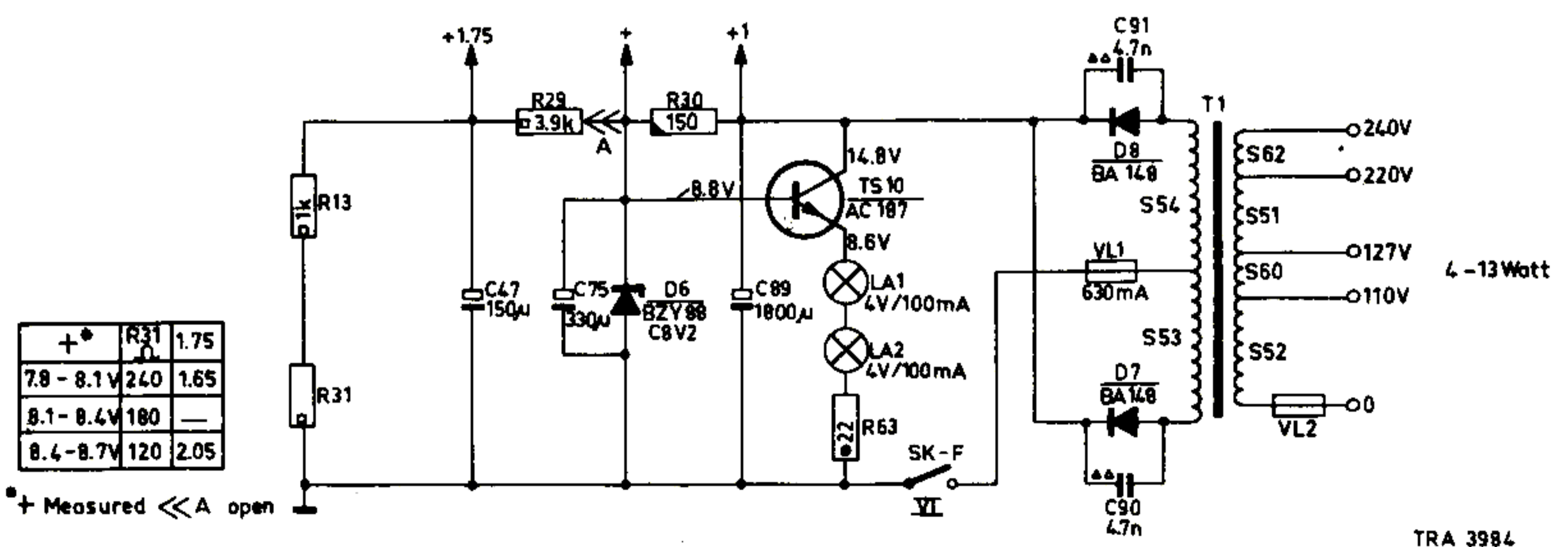
18.			26.	27.28.	29.	30.31.	33.39.34.40.35.41.36.	37.38.54.53.62.51.60.52.	50.	S
77.	40.	41.42.	43.	44.46.	64.63.61.	60.58.	62.	65.66.48.59.67.68.	73.69.72.70.71.74.79.	C
39.		78.47.	75.		90.89.	82.81.	84.83.90.91.	85.76.	87.86.	C
18.	66.	19.57.21.23.22.			24.	25.26.27.	61.28.	35.32.	62.37.33.36.39.38.	R
42.20.		13.31.	29.	30.40.43.	60.63.45.41.44.	50.67.47.46.48.49.	53.51.52.	54.56.	55.	R



temp.(°C)	20°	30°
I _c (mA)	2.5-4	5-8

* R54: 22, 33 or 43Ω.

	V _{open}
S53	12.1V
S54	12.1V



+	R31	1.75
7.9 - 8.1V	240	1.65
8.1 - 8.4V	180	—
8.4 - 8.7V	120	2.05

* Measured << A open

TRA 3984

SUBJECT TO MODIFICATION

4822 725 15141