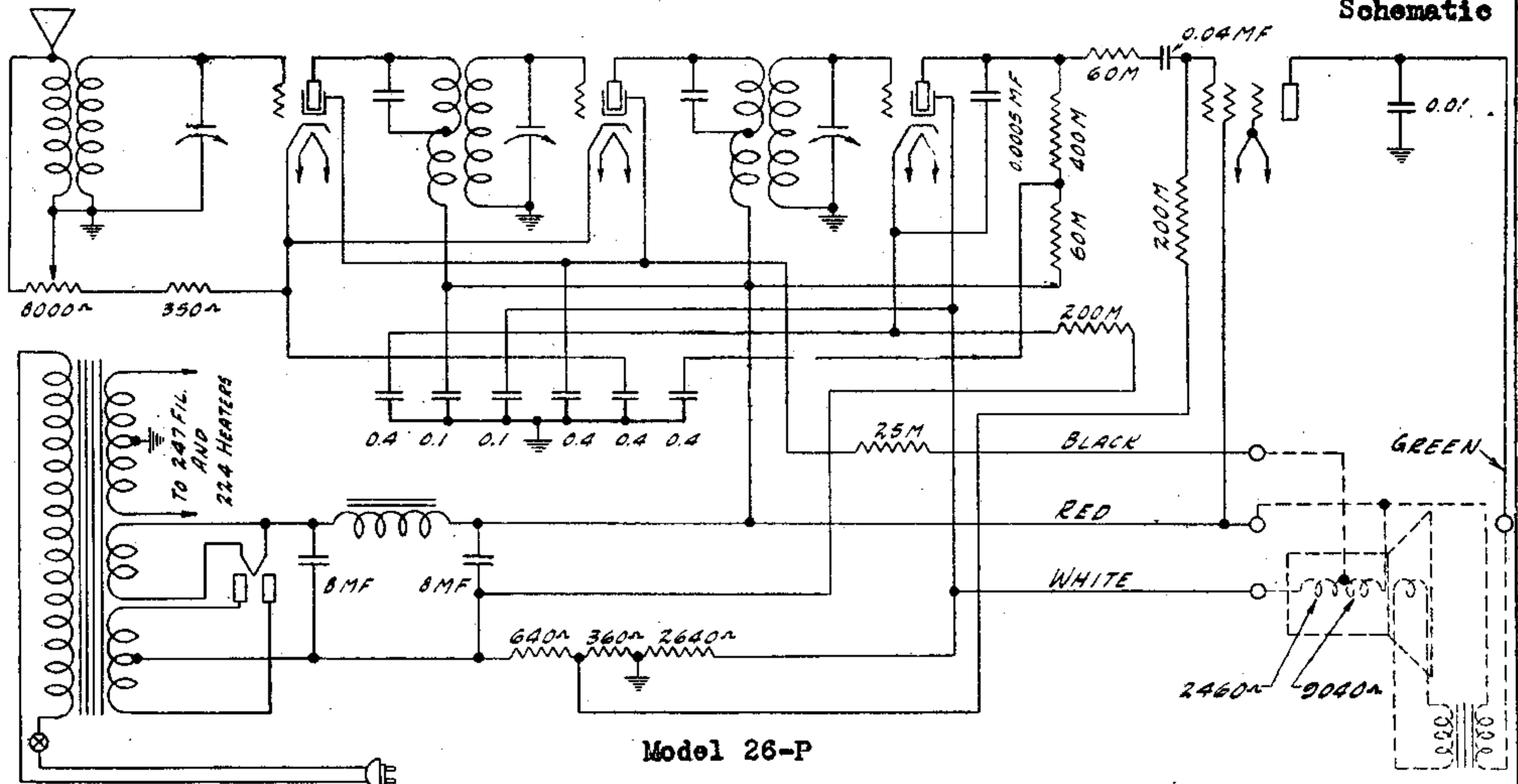


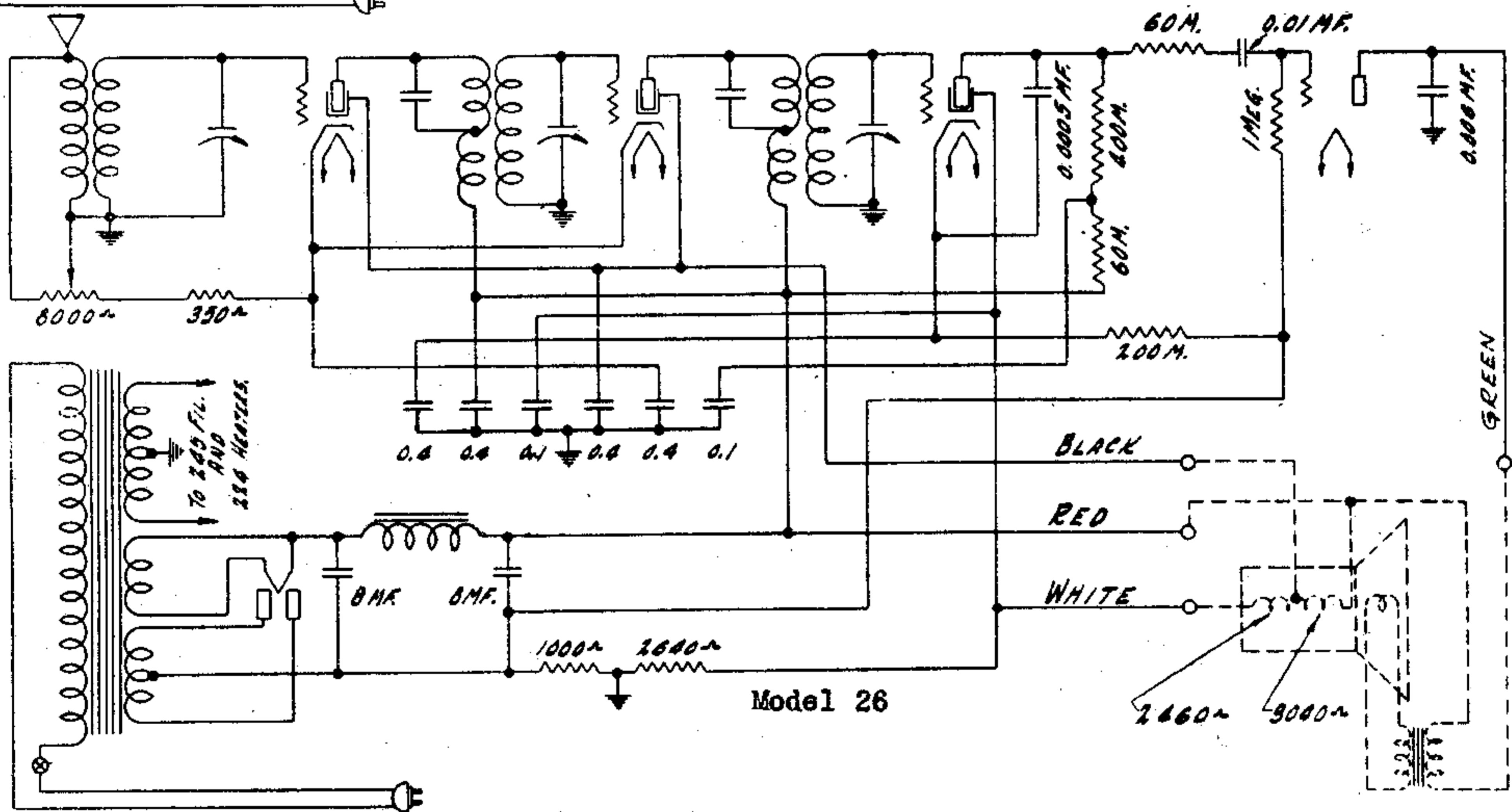


U. S. RADIO & TELEVISION CORP.

MODEL 26  
Schematic  
MODEL 26-P  
Schematic



Model 26-P



Model 26

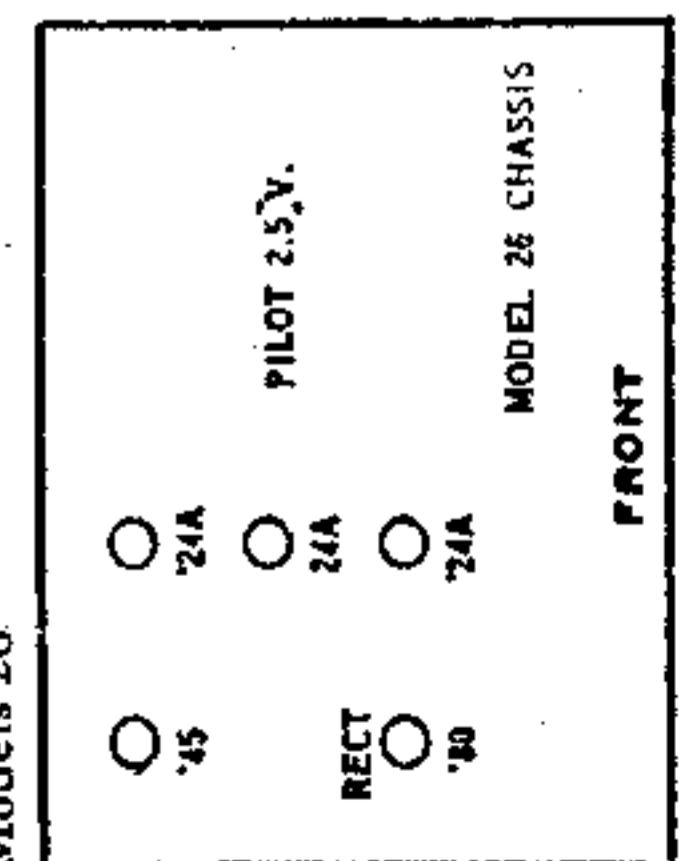
| Type | Function | A    | B   | C   | Screen | Plate Crnt. |
|------|----------|------|-----|-----|--------|-------------|
| 224  | 1st RF   | 2.2  | 245 | 2.5 | 80     | 2.9 ma      |
| 224  | 2nd RF   | 2.2  | 245 | 2.5 | 80     | 2.9         |
| 224  | Det      | 2.2  | 130 | 3.  | 40     | .25         |
| 245  | Audio    | 2.35 | 245 | 50. |        | 28.         |
| 280  | Rect.    | 4.6  |     |     |        | 25.*        |

\* Per anode. Line voltage 115 . V.C.Max.

|     |        |      |     |       |      |       |
|-----|--------|------|-----|-------|------|-------|
| 224 | 1st RF | 2.2  | 250 | 2.    | 55." | 2.1   |
| 224 | 2nd RF | 2.2  | 250 | 2.    | 55." | 2.1   |
| 224 | Det.   | 2.2  | 130 | 2.8   | 40." | .25   |
| 247 | Audio  | 2.3  | 238 | 18.** | 250  | 27.   |
| 280 | Rect.  | 4.65 |     |       |      | 28. * |

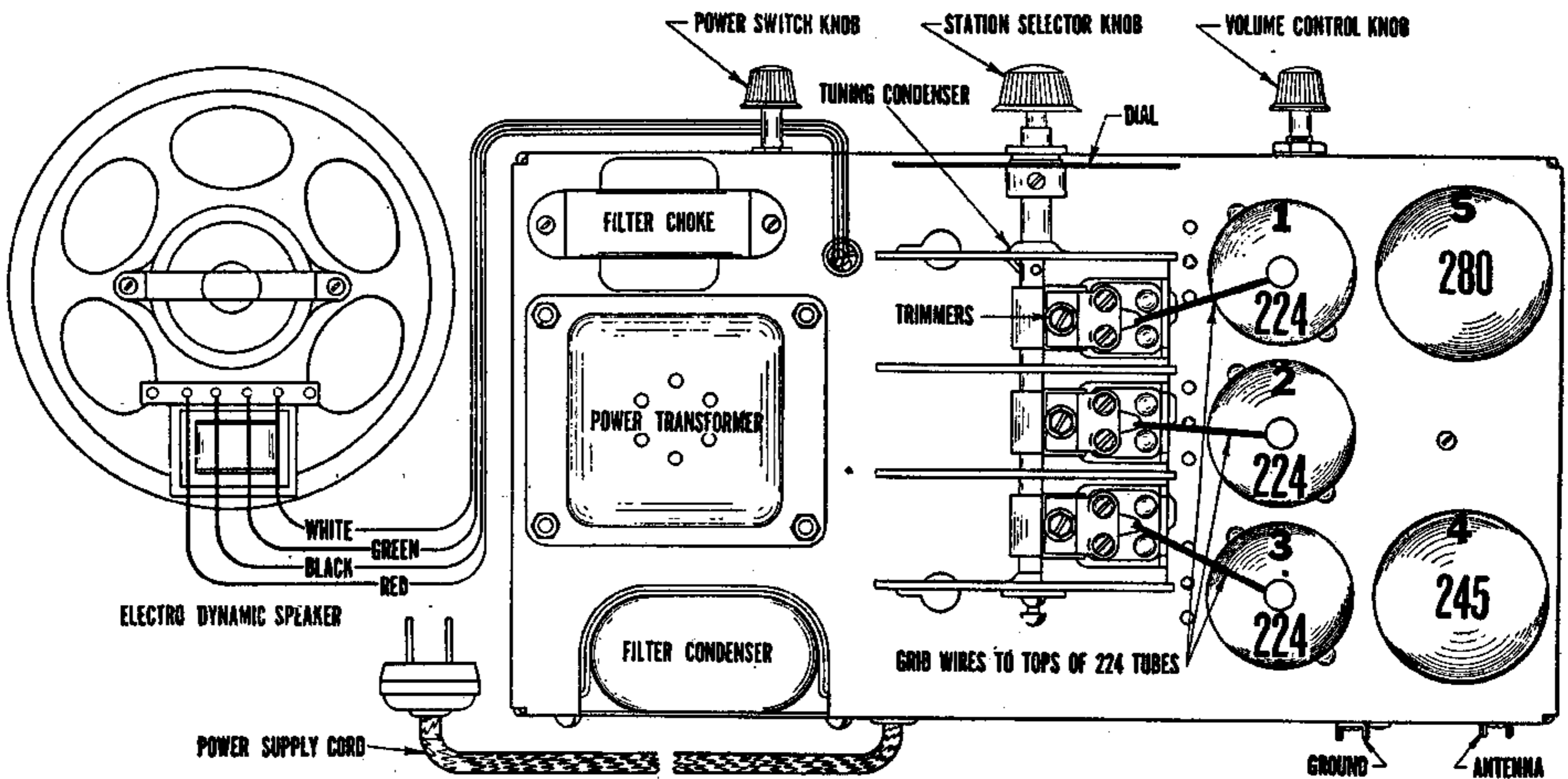
\*\* Read across 360 ohms section of shunt resistor.

" Read with 250,000 ohm meter.



MODEL 26 Chassis  
MODEL 26-P Parts List

U. S. RADIO & TELEVISION CORP.



--Top View of No. 26 Chassis showing Tube Sequence and Speaker Connections

**No. 26P Chassis Replacement Parts (Supplementing No. 26 List)**

The following parts are used in addition to the parts listed for the No. 26 chassis.

| Part No. | Description   | No. Used in Set | List Price Each |
|----------|---|-----------------|-----------------|
| 2757     | Tube Socket—247.....  | 1               | .35             |
| 705      | 25,000 ohm Series Resistor, Carbon.....                                   | 1               | .50             |
| 1358     | .04 Mfd. Coupling Condenser.....  | 1               | .60             |
| 1751     | 200,000 ohm Grid Leak Resistor, Carbon.....                               | 1               | .50             |
| 2303A    | Shunt Resistor, 640—360—2640 ohms.....                                    | 1               | .60             |
| 2767     | Resistor & Condenser Panel Assembly complete.....                         | 1               | 3.00            |
| 2678     | 8 Mfd. Electrolytic Condenser Unit complete, Dry type.....                | 2               | 2.25            |
| 2752     | Chassis Cover Plate for Electrolytic Condensers.....                      | 1               | .15             |
| 2691     | Mounting Plate for Electrolytic Condensers.....                           | 1               | .15             |
| 2763     | Electrolytic Condenser Assembly complete, 2 Units and Mounting Plate..... | 1               | 4.65            |
| 2756     | Power Transformer, 115 Volt, 60 Cycles.....                               | 1               | 7.50            |
| 2768     | Chassis Harness.....  | 1               | 1.00            |
| 2771     | Bottom Plate.....   | 1               | .40             |
| 2758     | Baffle Mtg. D.C. Electrodynamic Speaker for No. 26P Chassis.....          | 1               | 8.50            |
| 2796     | Transformer for Speaker.....  | 1               | 3.50            |

The following parts listed for the No. 26 Chassis are not used in the No. 26P Chassis:

|      |   |   |      |
|------|---|---|------|
| 685  | Tube Socket—245.....  | 1 | .35  |
| 1612 | .006 Mfd. Audio Plate By-pass Condenser.....                | 1 | .80  |
| 2266 | 1 Megohm Grid Leak Resistor.....                            | 1 | .45  |
| 2303 | Shunt Resistor, 1000—2640 ohms.....                         | 1 | .60  |
| 2316 | Resistor & Condenser Panel Assy. complete.....              | 1 | 3.00 |
| 1942 | 8 Mfd. Electrolytic Condenser Unit.....                     | 2 | 2.50 |
| 2223 | Mounting Clamp for Electrolytic Condensers.....             | 1 | .20  |
| 2328 | Metal Cap for Electrolytic Condensers.....                  | 1 | .15  |
| 2251 | Power Transformer, 115 Volts, 60 Cycles.....                | 1 | 7.50 |
| 2238 | Cover Plate for Power Transformer.....                      | 1 | .30  |
| 2318 | Chassis Harness.....  | 1 | 1.20 |
| 2467 | Baffle Mtg. D.C. Electrodynamic Speaker No. 26 Chassis..... | 1 | 8.50 |
| 2555 | Transformer for Speaker.....                                | 1 | 3.50 |

**Making Pentode Current and Voltage Readings**

| Reading      | Terminals                               | Meter                  |
|--------------|---|------------------------|
| A Volts      | Across filament terminals               | 0-4 A.C. Voltmeter     |
| B Volts      | Plate terminal to subpanel              | 0-300 D.C. Voltmeter   |
| C Volts      | Across 360 ohm resistor                 | 0-50 D.C. Voltmeter    |
| Screen Volts | Screen grid terminal to subpanel        | 0-300 D.C. Voltmeter   |
| Screen M.A.  | Insert milliammeter in screen grid line | 0-25 D.C. Milliammeter |
| Plate M.A.   | Insert milliammeter in plate line       | 0-50 D.C. Milliammeter |

**CAUTION:**—Never operate the Pentode tube under any circumstances without plate voltage. This condition may arise if one of the speaker leads is disconnected opening the line to the primary of the output transformer. Without plate voltage the screen grid will become white hot due to the excessive current flowing through it and may become distorted or may evolve gas. Care should be taken, therefore, in servicing the No. 26P chassis or conducting experiments with the Pentode never to have this condition arise.