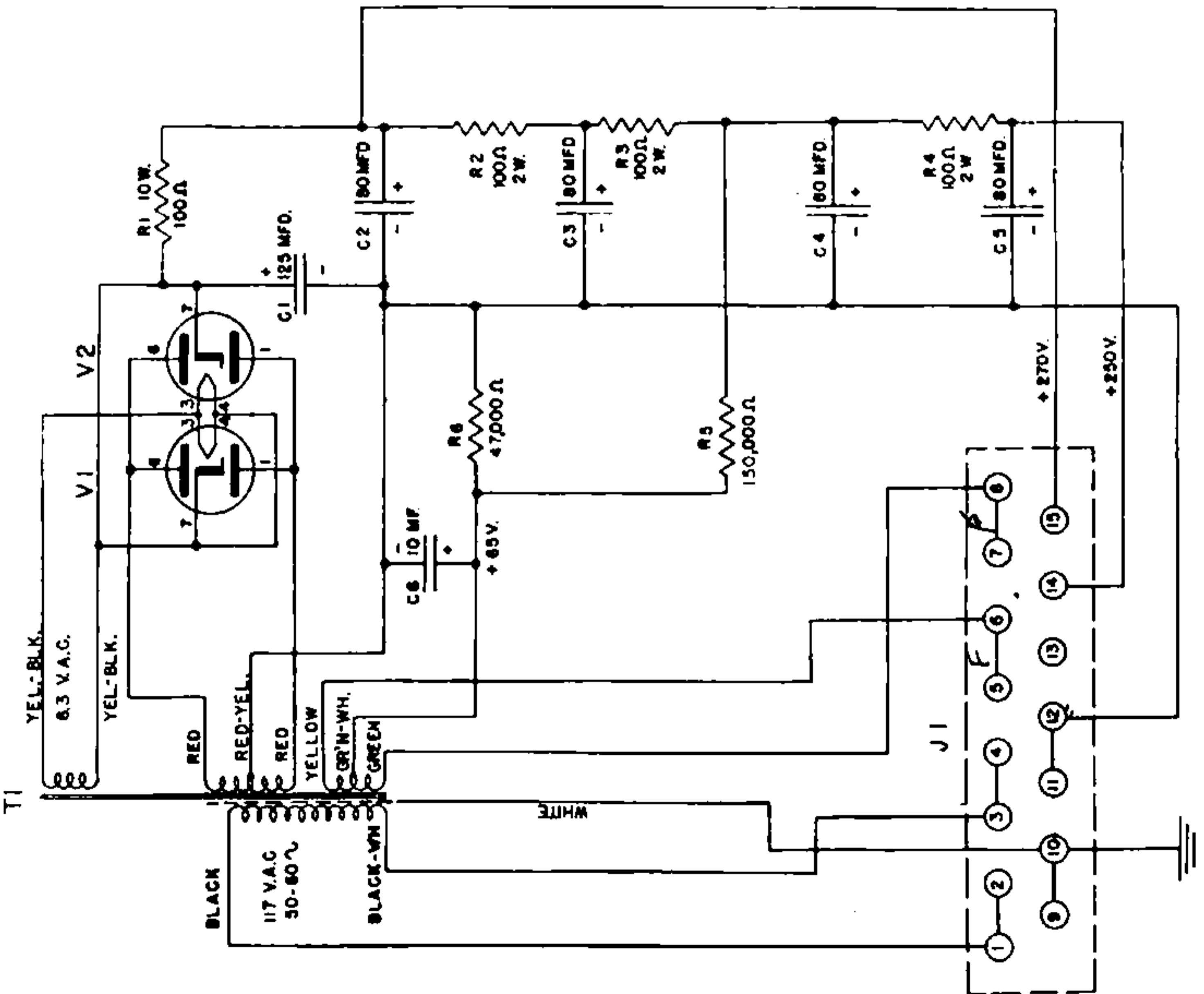


PARTS LIST	
YL 2	6X4
Y1	PEERLESS 600I
C1	125 MFD 350V MALLORY FP-140
C2, C3, C4, 5	80X80 MFD 300V CD-UP8830
C6	10 MFD, 150V CD-8R1015
R1	100 OHMS 10W OHMITE B.D.
R2, 3, 4	100 " 2W
R5	150,000 OHMS 1W
R6	47,000 "
J1	CANNON DA-19-34P

- J1 PIN CONNECTIONS
- 1, 2 117 VAC 50-60 \sim
 - 3, 4 HEATER
 - 5 HEATER
 - 6 6.3 V AC AT 4.9 AMP
 - 7 HEATER
 - 8 BIASED +65 VDC
 - 9 CHASSIS GROUND
 - 10 CIRCUIT GROUND
 - 11 CIRCUIT GROUND
 - 12
 - 14 +250 V AT 65 MA MAX CONDITION 1
 - 15 +270 V AT 75 MA MAX
 - 16 +270 V AT 135 MA MAX CONDITION 2
- ◆ CONNECTED LOAD 135 MA MAX.



ALTEC LANSING P522B POWER SUPPLY