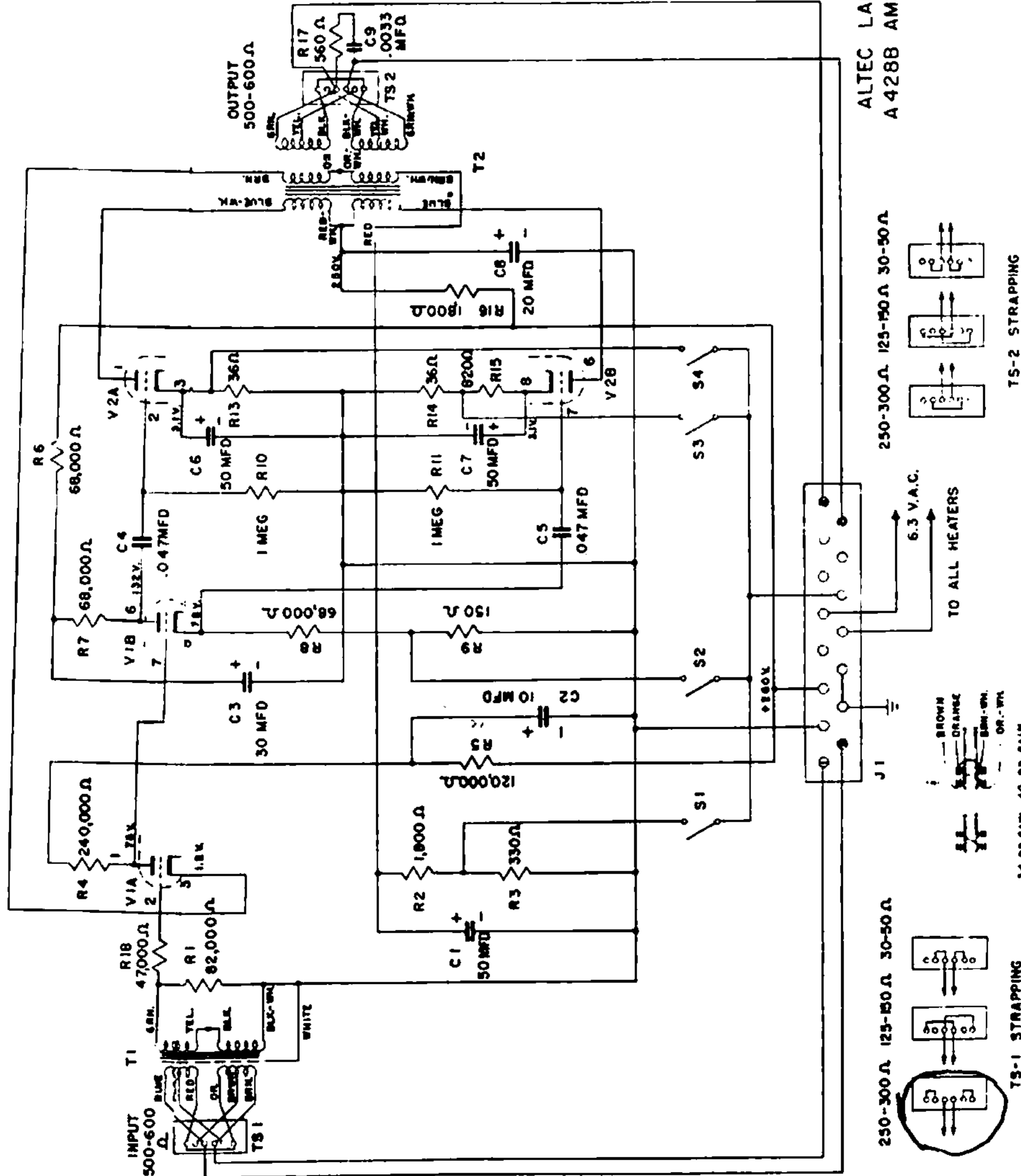


PARTS LIST	
W1,2	12 AY7
T1	PERALERA 4527
T2	18287
C1,2,7	30MFDAY 50V 30-50
C3,6	(2) 10-150 350V 30-50
C4,8	0.01MFD 400V MICAMOLD
C9	0.003MFD 300V ERIC 872433003660
R1	82,000Ω 1/2W ±10%
R2	1,800Ω
R3	330Ω
R4	240,000Ω 1W ±10%
R5	120,000Ω
R6	50,000Ω 1/2W ±10%
R7	68,000Ω
R8	68,000Ω 1/2W ±10%
R9	50,000Ω 1/2W ±10%
R10	1MΩ
R11	1MΩ
R12	150Ω
R13	36Ω
R14	36Ω
R15	820Ω
R16	1,800Ω
R17	560Ω
J1	CARRON DA-15-24P
S1,3,4	GRAYMILL 6000 SWITCH
R18	47,000 OHMS 1/2 WATT ±10%

OPERATING DATA	
GAIN	40 DB (OR 34DB WITH SERIES CONNECTION OF FEEDBACK COIL)
FREQ. RESPONSE	±1DB 20-20,000 Hz
POWER OUTPUT	+80DB 50-15,000 Hz
AT 1/2% THD.	+20DB 30-15,000 Hz
AT 1% THD.	LOWER THAN -120DBM
NOISE LEVEL	EQUIVALENT INPUT NOISE LEVEL (20,000 Hz BANDWIDTH)
POWER REQ'D.	0.50 AMP/4.5V A.C. @ 10MA. AT 250 V.A.C.

- J1 PIN CONNECTIONS
- 1,9 INPUT (BALANCED)
  - 2 B- (CIRCUIT COMMON)
  - 3 B+ (6.3V)
  - 10,11 CHASSIS GROUND
  - 8,12 HEATERS
  - 6,18 OUTPUT (BALANCED)
  - 13 METERING BUS FOR COMMON METER CIRCUIT



ALTEC LANSING  
A 4288 AMPLIFIER

