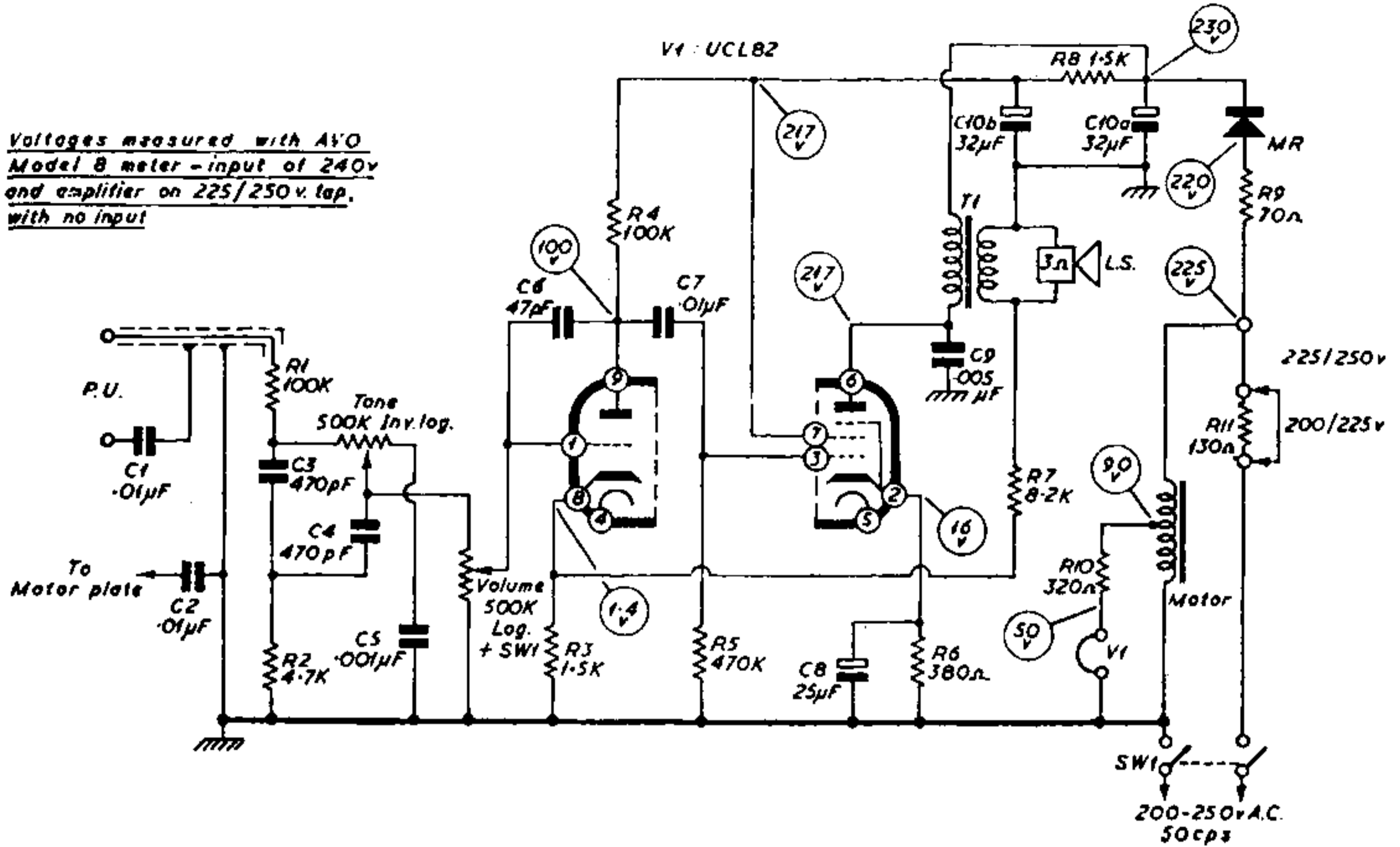
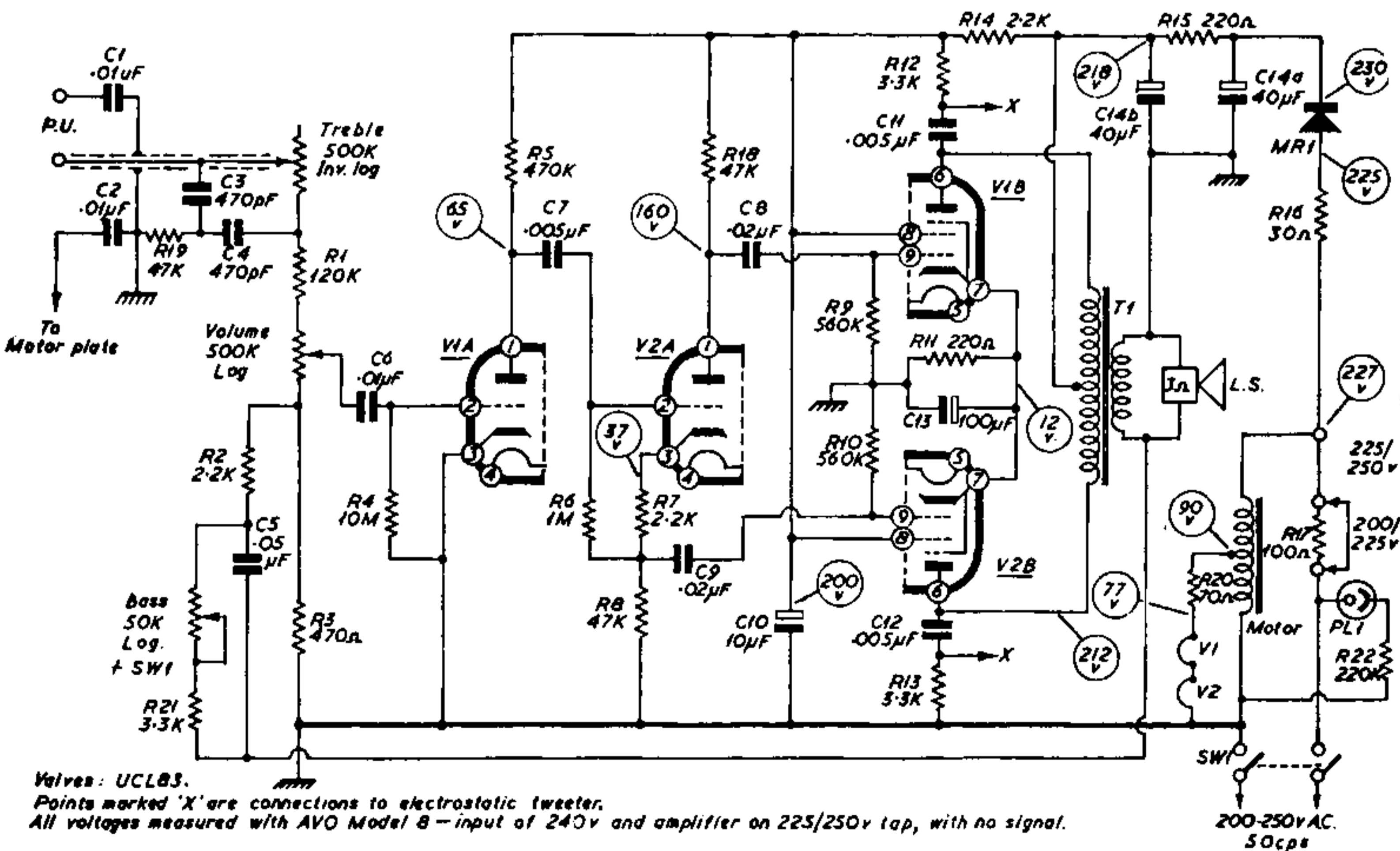


Voltages measured with AVO Model 8 meter - input of 240v and amplifier on 225/250v tap, with no input



CIRCUIT DIAGRAM—ALBA MODEL 991



Valves: UCL83.
Points marked 'X' are connections to electrostatic tweeter.
All voltages measured with AVO Model 8 - input of 240v and amplifier on 225/250v tap, with no signal.

CIRCUIT DIAGRAM—ALBA MODEL 996