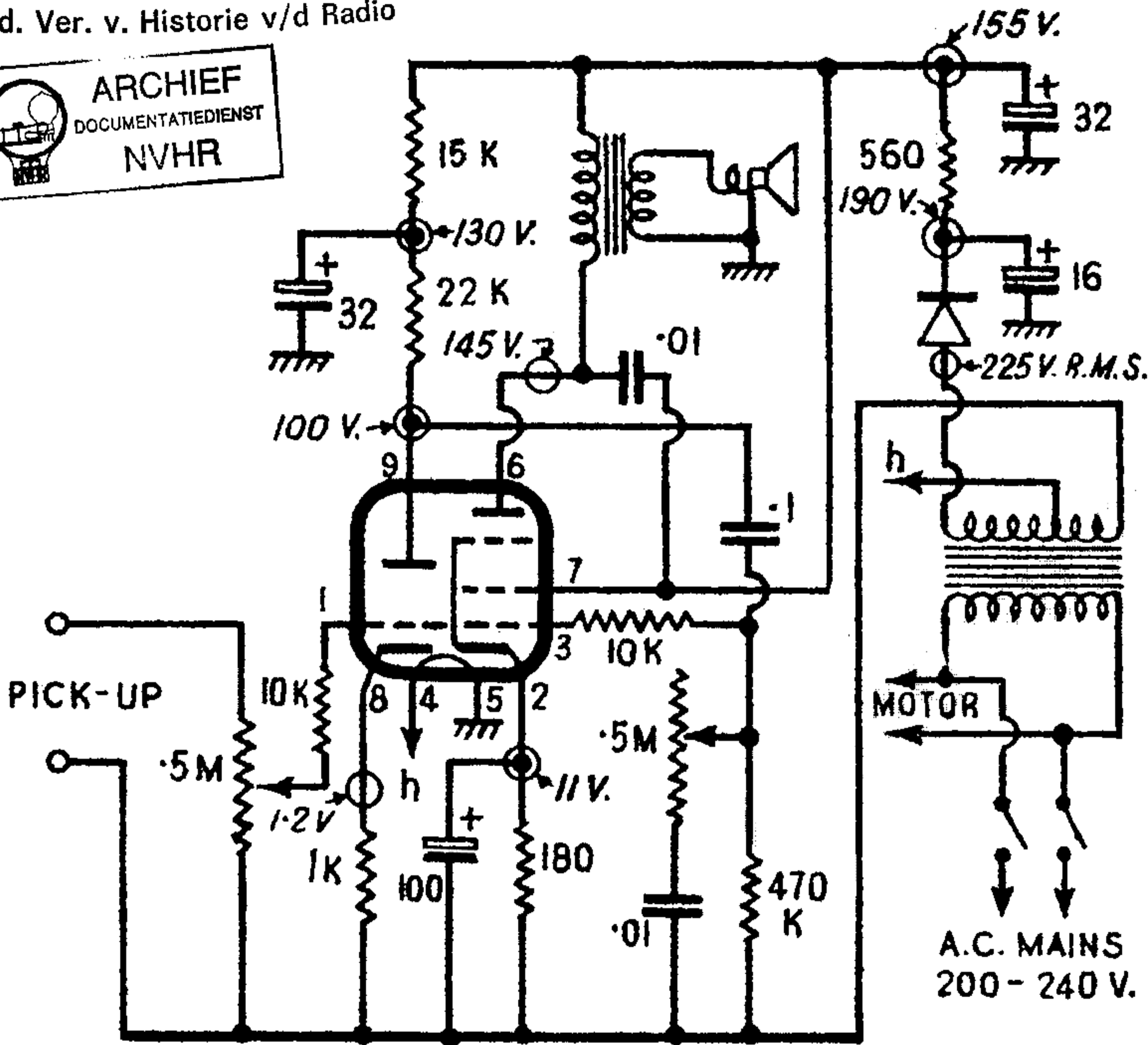
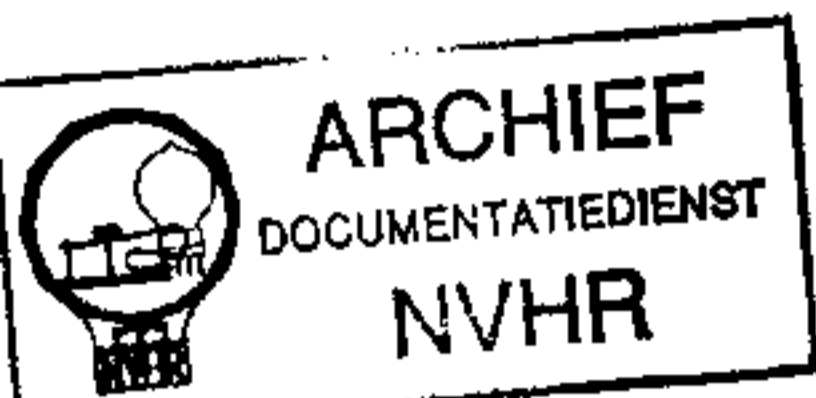


"CADET-AUTO" 881

ed. Ver. v. Historie v/d Radio



VALVE-MULLARD PCL.82

RECTIFIER-WESTINGHOUSE B. & S. 18.RA-1-1-16-1.