



SERVICE BULLETIN

MANUFACTURER & EXPORTER:
TAPE RECORDERS/TAPE DECKS
TUNERS & AMPLIFIERS/SPEAKER SYSTEMS
VIDEO TAPE RECORDERS

RE: Model

SUBJECT: Advice of Misc. Changes (Video)

1. Change in Servo Circuit of VT-110

- i) Resistor R6007 68 kΩ in Multi-Vibrator circuit of C.C.I.R. type Servo P.C. Board has been changed to 82 kΩ.

Explanation: Because there were cases in which the tracking pulse width could not be adjusted.

Change from: Serial No. 81120-0001

- ii) Condenser C6037 10 μF/6.3V has been supplemented in transistor TR6002 Base circuit of U.S. type Servo P.C. Board.

Explanation: To eliminate a swaying picture.

Change from: Serial No. 90115-0001

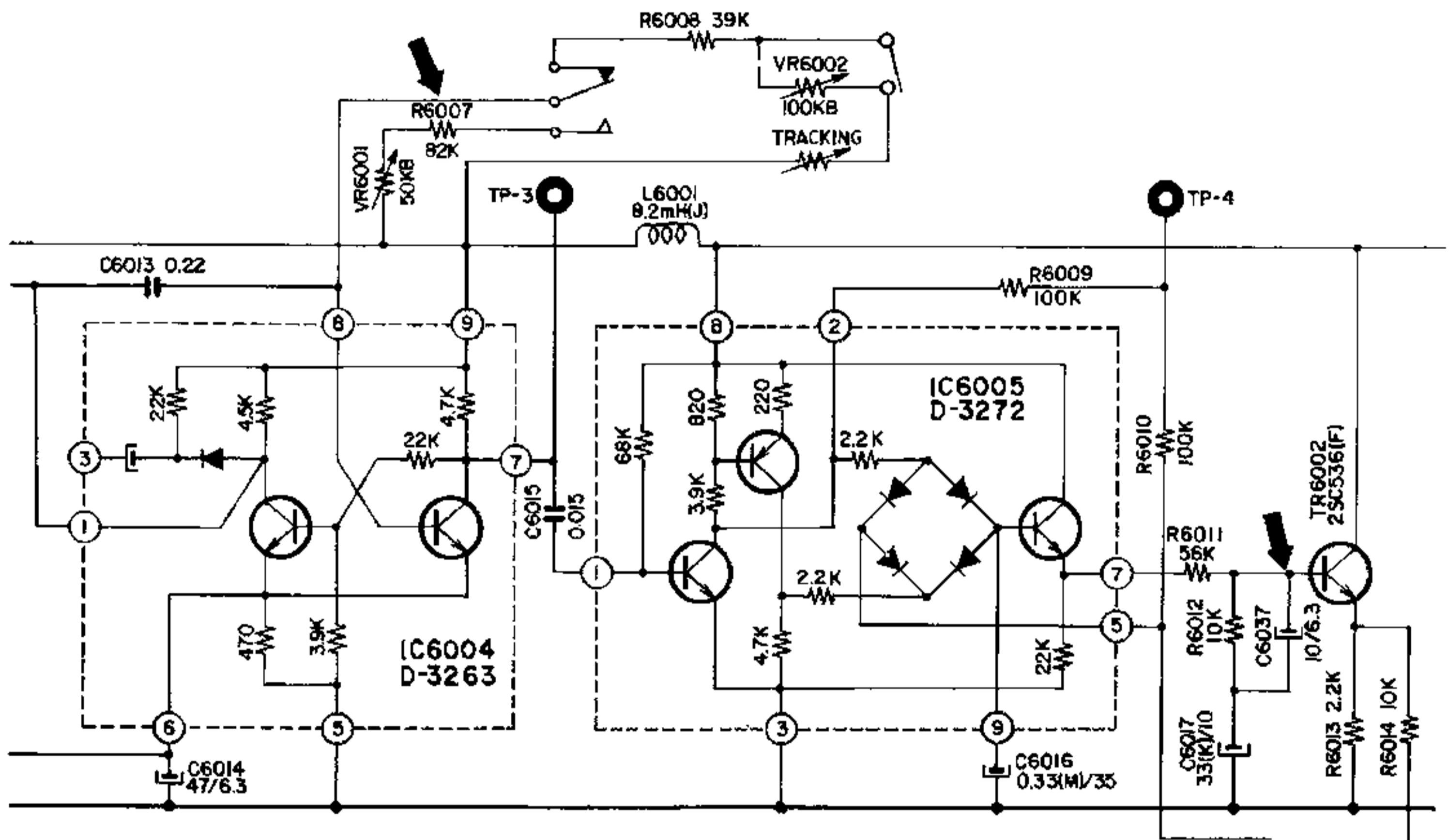
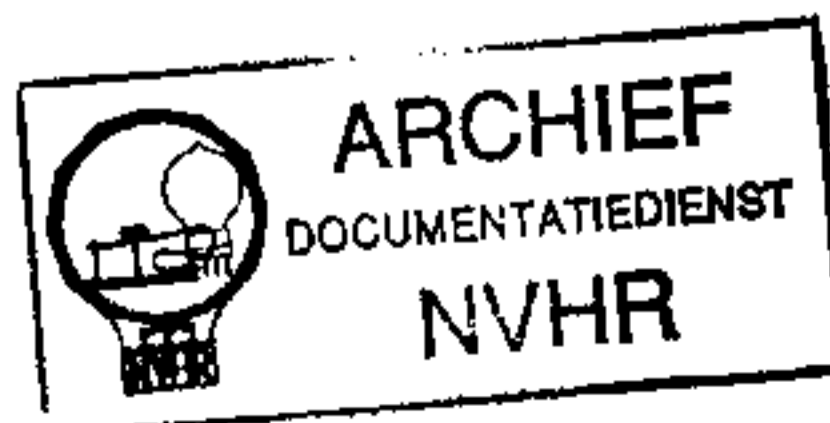


Fig. 1

Ned. Ver. v. Historie v/d Radio



2. Change in 9V Regulator circuit of VT-110

Resistor R8001 2.2 k Ω in 9V Regulator circuit of Motor Drive & Power Supply P.C. Board has been changed to 510 Ω , and Resistor R8021 510 Ω and Condenser C1086 10 μ F/16V have been supplemented.

Explanation: To eliminate flickering on Monitor screen during recording mode at lower voltage.

Change from: Serial No. 90114-0001

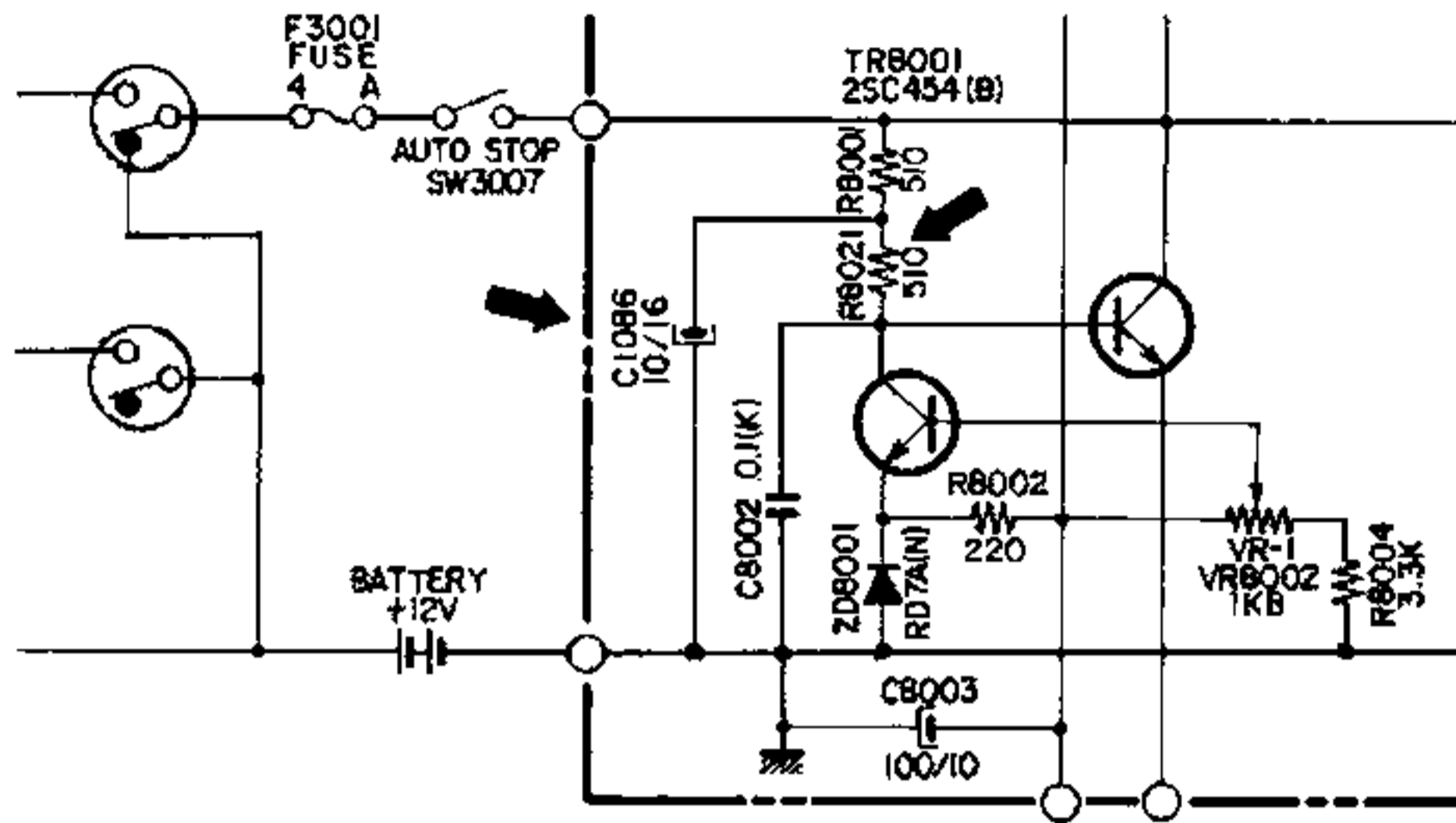


Fig. 2

3. Change in S.S.G. P.C. Board of VT-110

To improve stability of video switching point when dubbing or when recording with T.V. Tuner Adaptor, the Sync. Signal Separator circuit has been changed as shown in the diagram below.

Change from: Serial No. 90720-0001

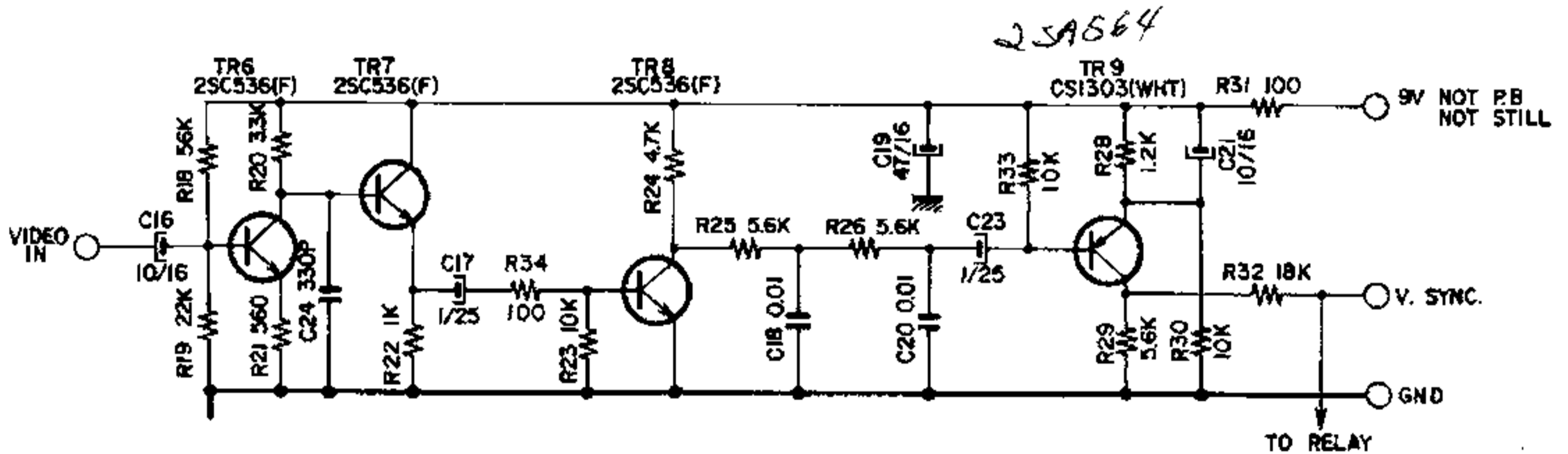


Fig. 3

4. Change in Video Camera VC-115

- i) To prevent the vidicon tube from protruding due to shock or the picture become out of focus, a Vidicon tube holding plate has been supplemented on the face of the Vidicon Coil Ass'y.

Change from: Oct., 1973

(When replacing Vidicon, remove coil assembly and take out Vidicon after removing the 3 Vidicon holding plate fixation screws.)

- ii) To eliminate oscillation of the Pre-Amplifier, Condenser C1 0.22 μ F/100V has been changed to a shield type condenser. At the same time Resistor R4, R8 and R36 were changed as follows:

R4 1.5 k Ω changed to 1.0 k Ω

R8 33.0 k Ω changed to 22.0 k Ω

R36 5.6 k Ω changed to 6.2 k Ω

Change from: Middle of Lot No. 90223