



PHOTOFACT[®] with

CIRCUITRACE[®]

Met dank aan Jef Bos

TRADE NAME: Airline Model GEN-1229A
 SUPPLIER: Montgomery Ward & Company
 619 Chicago Ave. Chicago 7, Illinois
 TYPE SET: 10 Transistor AM Receiver
 POWER SUPPLY: 6 Volt DC
 RATING: 8MA @ 6VDC (No Signal, Min. Volume)
 50MA @ 6VDC (Loud Signal, Max. Volume)
 TUNING RANGE: BROADCAST 540 -1640KC



Ver. v. Historie v/d Radio

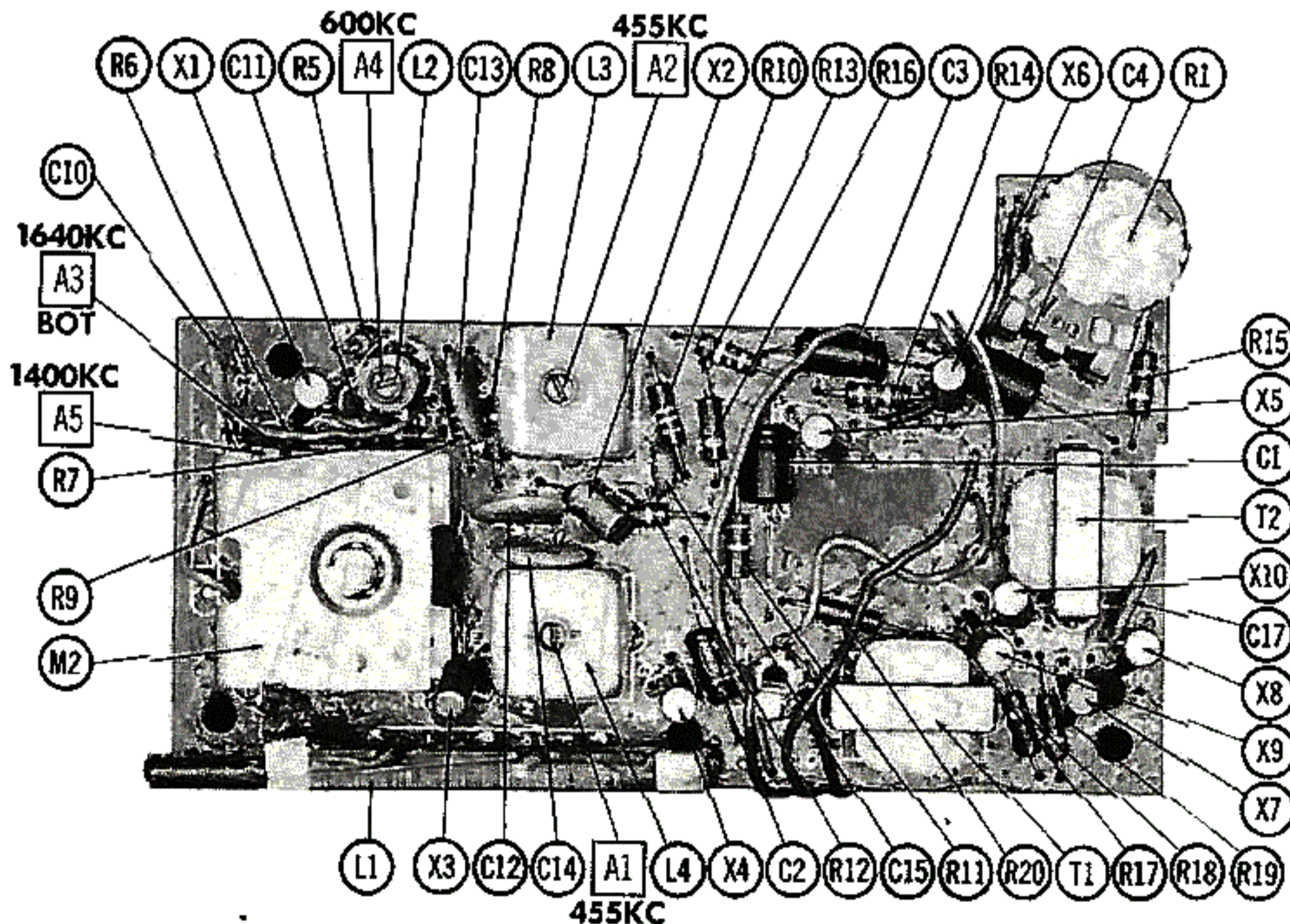


ALIGNMENT INSTRUCTIONS

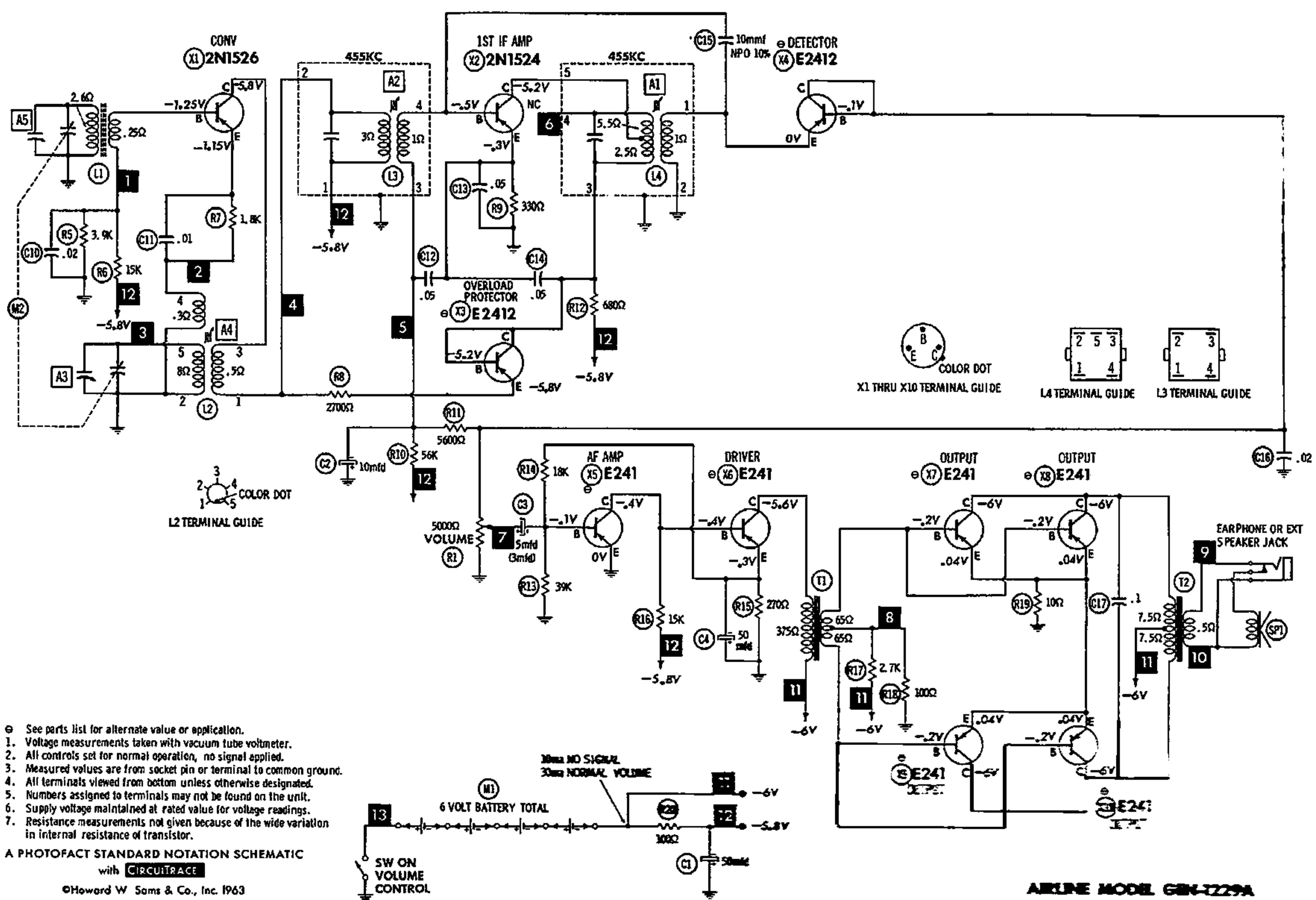
Check for specified source voltage.
 Fashion loop of several turns of wire and connect generator across loop.
 Adjust output of generator to radiate only enough signal into receiver to obtain a suitable indication.
 Suggested Alignment Tools:

- A1, A2, A4..... GENERAL CEMENT #5067, 8282, 8606
 WALSCO #2526, 2543
- A3, A5..... GENERAL CEMENT #5000, 5066, 8290
 WALSCO #2512, 2525, 2528

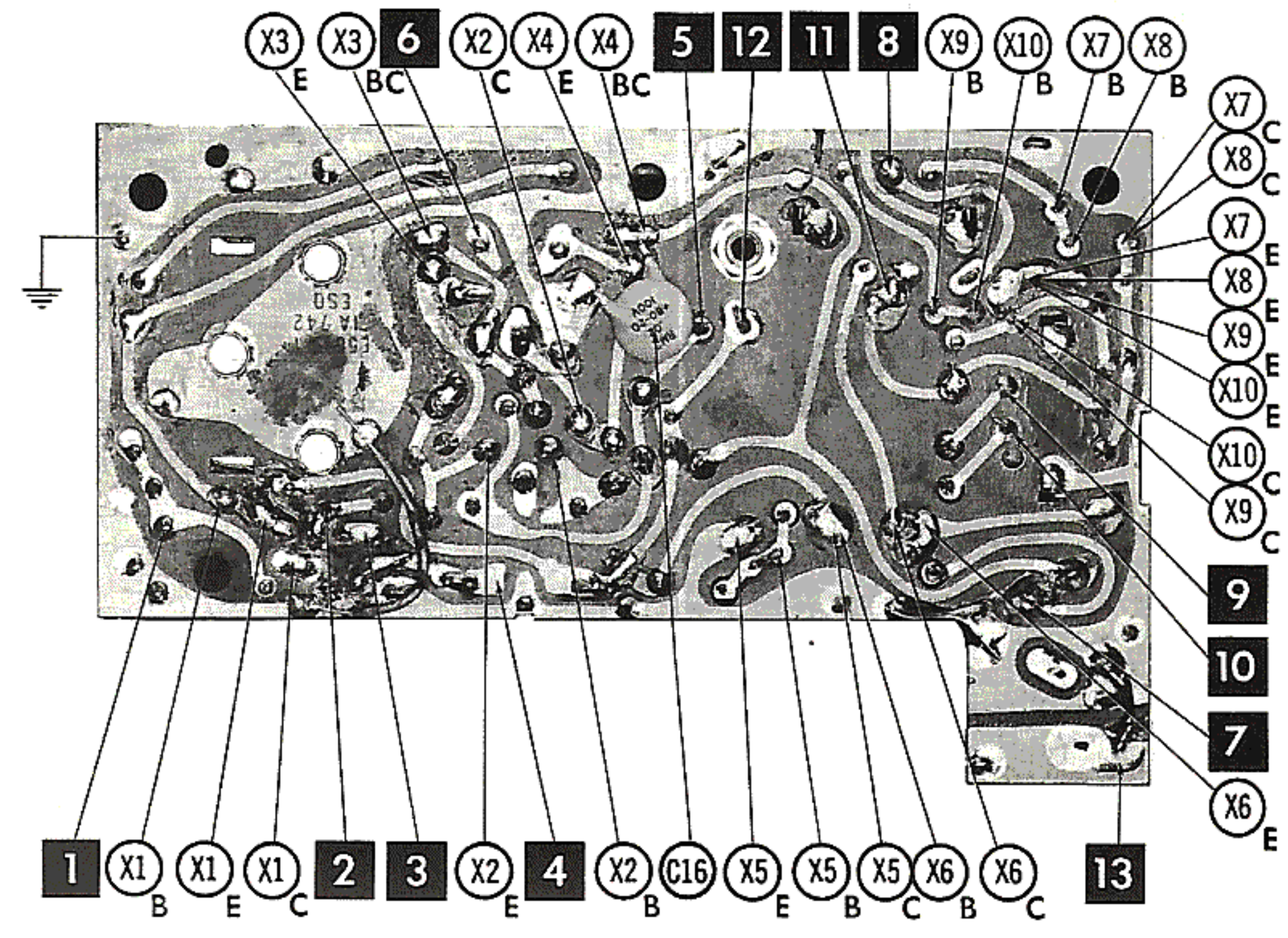
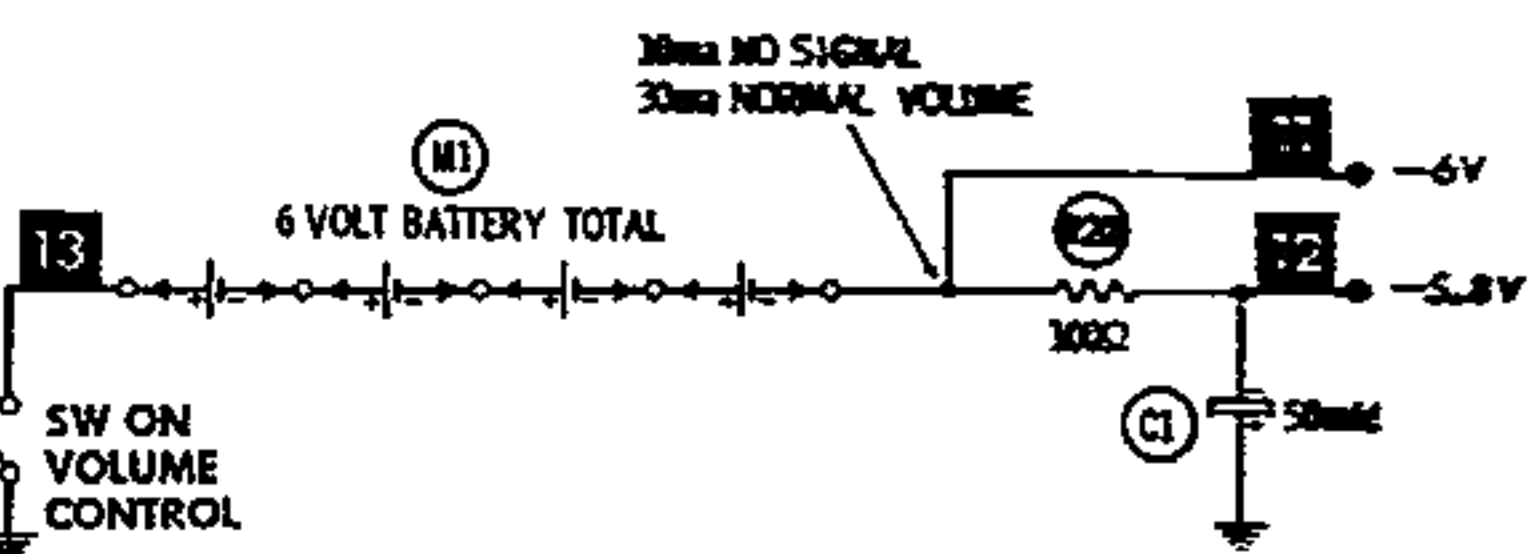
SIGNAL GENERATOR FREQUENCY	RADIO DIAL SETTING	INDICATOR	ADJUST	REMARKS
1. 455KC (400 μ Mod.)	Tuning gang fully open.	Output Meter across voice coil.	A1, A2,	Adjust for maximum. Repeat as required.
2. 1640KC	"	"	A3	Adjust for maximum.
3. 600KC	Tune to Signal.	"	A4	Rock tuning gang and adjust for maximum. Repeat steps 2 and 3.
4. 1400KC	"	"	A5	Adjust for maximum.



HOWARD W. SAMS & CO., INC. Indianapolis 6, Indiana



- ⊖ See parts list for alternate value or application.
- 1. Voltage measurements taken with vacuum tube voltmeter.
- 2. All controls set for normal operation, no signal applied.
- 3. Measured values are from socket pin or terminal to common ground.
- 4. All terminals viewed from bottom unless otherwise designated.
- 5. Numbers assigned to terminals may not be found on the unit.
- 6. Supply voltage maintained at rated value for voltage readings.
- 7. Resistance measurements not given because of the wide variation in internal resistance of transistor.



AIRLINE MODEL GEN-1229A

TRANSISTORS

ITEM No.	ORIG. TYPE	USE	REPLACEMENT DATA			NOTES
			DELCO PART No.	GENERAL ELECTRIC PART No.	RCA PART No.	
X1	2N1526	Converter	DS-25	GE-1	2N1527	PNP
X2	2N1524	IF Amp.	DS-25	GE-1	2N1524	PNP
X3	E2412 ①	Overload	DS-25	GE-1		PNP
X4	E2412 ①	Detector	DS-25	GE-1		PNP
X5	E241 ②	AF Amp.	DS-26	GE-2	2N406	PNP
X6	E241 ②	Driver	DS-26	GE-2	2N406	PNP
X7	E241 ③	Output	DS-26	GE-2	2N408	PNP
X8	E241 ③	Output	DS-26	GE-2	2N408	PNP
X9	E241 ③	Output	DS-26	GE-2	2N408	PNP
X10	E241 ③	Output	DS-26	GE-2	2N408	PNP

① Alt. E3458

② Alt. 2N406

③ Alt. 2N408

FIXED CAPACITORS

ITEM No.	RATING	REMARKS	REPLACEMENT DATA					
			AEROVOX PART No.	CENTRALAB PART No.	CORNELL-DUBILIER PART No.	ELMENCO PART No.	MALLORY PART No.	SPRAGUE PART No.
C10	.02 100V		TTD-02	CK-203	H3		TA-120	TG-S20
C11	.01 100V		TTD-01	CK-103	H2		TA-110	TG-S10
C12	.05 100V		TTD-05	CK-503	H5		TA-150	TG-S50
C13	.05 100V		TTD-05	CK-503	H5		TA-150	TG-S50
C14	.05 100V		TTD-05	CK-503	H5		TA-150	TG-S50
C15	10 NPO 10%		NPO-DI 10	DTZ-10	C10Q1C	CCTO-100	CNO-410	10TCC-Q10
C16	.02 100V		TTD-02	CK-203	H3		TA-120	TG-S20
C17	.1 100V		TTD-1	CK-104	H6		TA-010	TG-P10

ELECTROLYTIC CAPACITORS

ITEM No.	RATING		REPLACEMENT DATA						
	CAP.	VOLT.	AIRLINE PART No.	AEROVOX PART No.	CORNELL-DUBILIER PART No.	GENERAL ELECTRIC PART No.	GENERAL INSTRUMENT PART No.	MALLORY PART No.	SPRAGUE PART No.
C1	50	10	E3240	PTT45	NLW50-10	MT1-16	MLV50-10	TT10X50	TL-1133
C2	10	10	E3238	PTT39	NLW10-15	MT1-5	MLV10-10	TT12X10	TL-1128
C3	5	10	E3227 ①	PTT37	NLW5-15	MT1-3	MLV5-12	TT12X5	TL-1127
C4	50	10	E3240	PTT45	NLW50-10	MT1-16	MLV50-10	TT10X50	TL-1133

① Some versions may use 3mfd 7V in this application.

CONTROLS

All wattages 1/2 watt, or less, unless otherwise listed.

ITEM No.	USE	RESISTANCE	REPLACEMENT DATA					
			AIRLINE PART No.	CENTRALAB PART No.	CLAROSTAT PART No.	CTS-IRC PART No.	MALLORY PART No.	
R1	Volume & Switch	5000Ω	E2558A	F2-5000, SU204, KR-1, AK-38			RU53A, SL37, SK750	

D DESCRIPTION

COILS (RF-IF)

ITEM No.	USE	REPLACEMENT DATA					NOTES
		AIRLINE PART No.	MERIT PART No.	MILLER PART No.	STANCOR PART No.	WORKMAN PART No.	
L1	Loopstick Osc. 1st IF 2nd IF	E6047B					
L2		E6150A					
L3		E6262A					
L4		E6263A					

TRANSFORMER (AUDIO OUTPUT)

ITEM No.	IMPEDANCE		REPLACEMENT DATA					NOTES
			AIRLINE PART No.	MERIT PART No.	STANCOR PART No.	THORDARSON PART No.	TRIAD PART No.	
	PRI.	SEC.						
T2	350Ω CT	3-4Ω	E1133B					

TRANSFORMER (DRIVER)

ITEM No.	TURNS RATIO		REPLACEMENT DATA					NOTES
			AIRLINE PART No.	MERIT PART No.	STANCOR PART No.	THORDARSON PART No.	TRIAD PART No.	
	PRI.	SEC.						
T1	2	1	E1132B					

SPEAKER

ITEM No.	TYPE	REPLACEMENT DATA		NOTES
		AIRLINE PART No.	QUAM PART No.	
SP1	3 1/2" PM 3-4Ω	E1059	3A07 ①	① Cut Corner to fit.

BATTERIES

ITEM No.	VOLTAGE	AIRLINE PART No.	REPLACEMENT DATA			NOTES
			BURGESS	EVEREADY	MALLORY	
M1	6	62-21	930 (or AL-9, Hg-9)	1015 (or E91, E9)	M-15R (or MNI500, ZM-9)	4 Required

MISCELLANEOUS

ITEM No.	PART NAME	AIRLINE PART No.	NOTES
M2	Tuning Cap.	E3538B	2 Gang

CABINETS & CABINET PARTS

(When Ordering Specify Model, Chassis & Color)

ITEM	PART No.	ITEM	PART No.
Knob - Tuning	E50175C	Cabinet Front	E70344C
Knob - Volume	E50153B	Cabinet Back	E70343D

WIRING DATA

General-use Unshielded Hook-up Wire Use BELDEN No. 8530 (Solid 22AWG) Available
 8524 (Stranded 22AWG) in
 8570 (Stranded 26AWG) 12 Colors