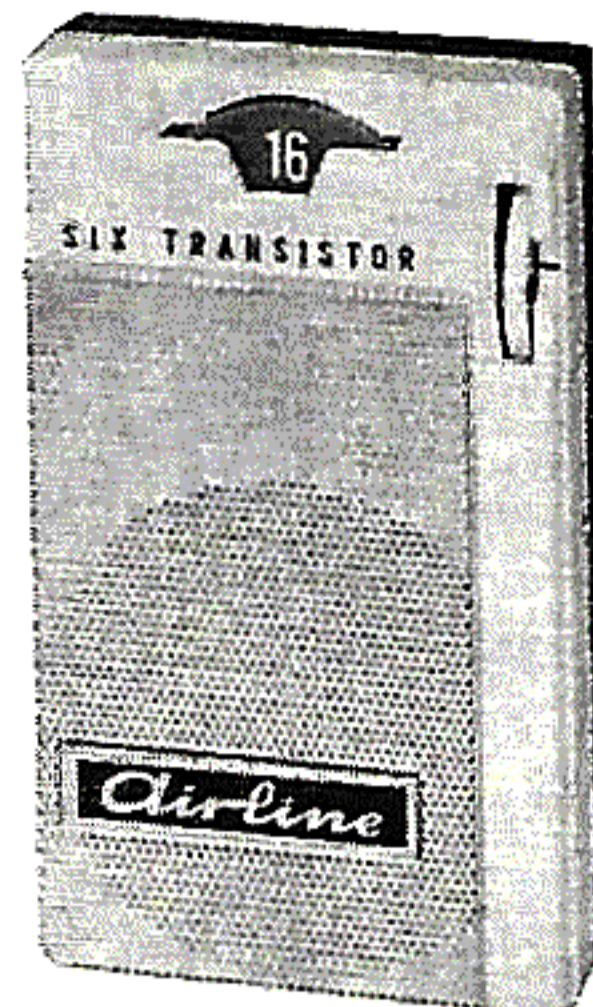


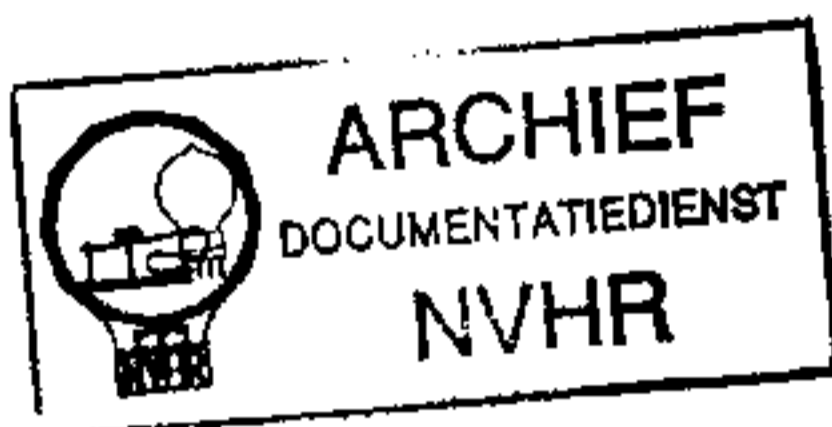


Met dank aan Jef Bos



TRADE NAME: Airline Model GEN-1213A
 SUPPLIER: Montgomery Ward & Co.,
 619 Chicago Ave., Chicago 7, Illinois
 TYPE SET: 6 Transistor AM Receiver
 POWER SUPPLY: 9 Volts DC
 RATING: 6MA @ 9 VDC (No Signal, Min. Volume)
 12MA @ 9 VDC (Signal, Normal Volume)
 TUNING RANGE: BROADCAST 540 - 1640KC

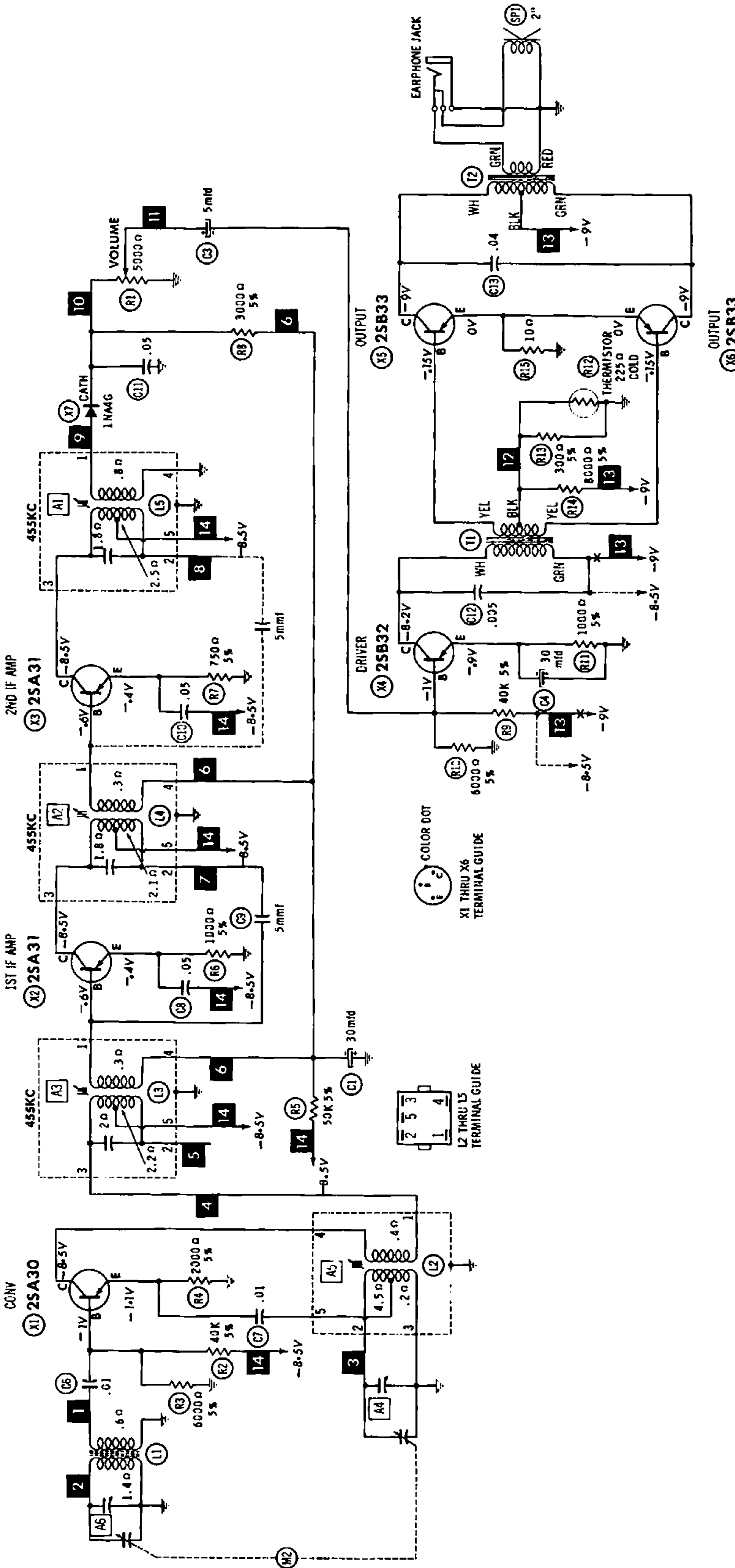
Ned. Ver. v. Historie v/d Radio



ALIGNMENT INSTRUCTIONS

Check for specified source voltage.
 Fashion loop of several turns of wire and connect generator across loop.
 Adjust output of generator to radiate only enough signal into receiver to obtain a suitable indication.
 Suggested Alignment Tools:
 A1 thru A6..... GENERAL CEMENT #5009, 8195, 8274, 8275, 8728, 8729, 8987
 WALSCO #2515, 2531, 2532

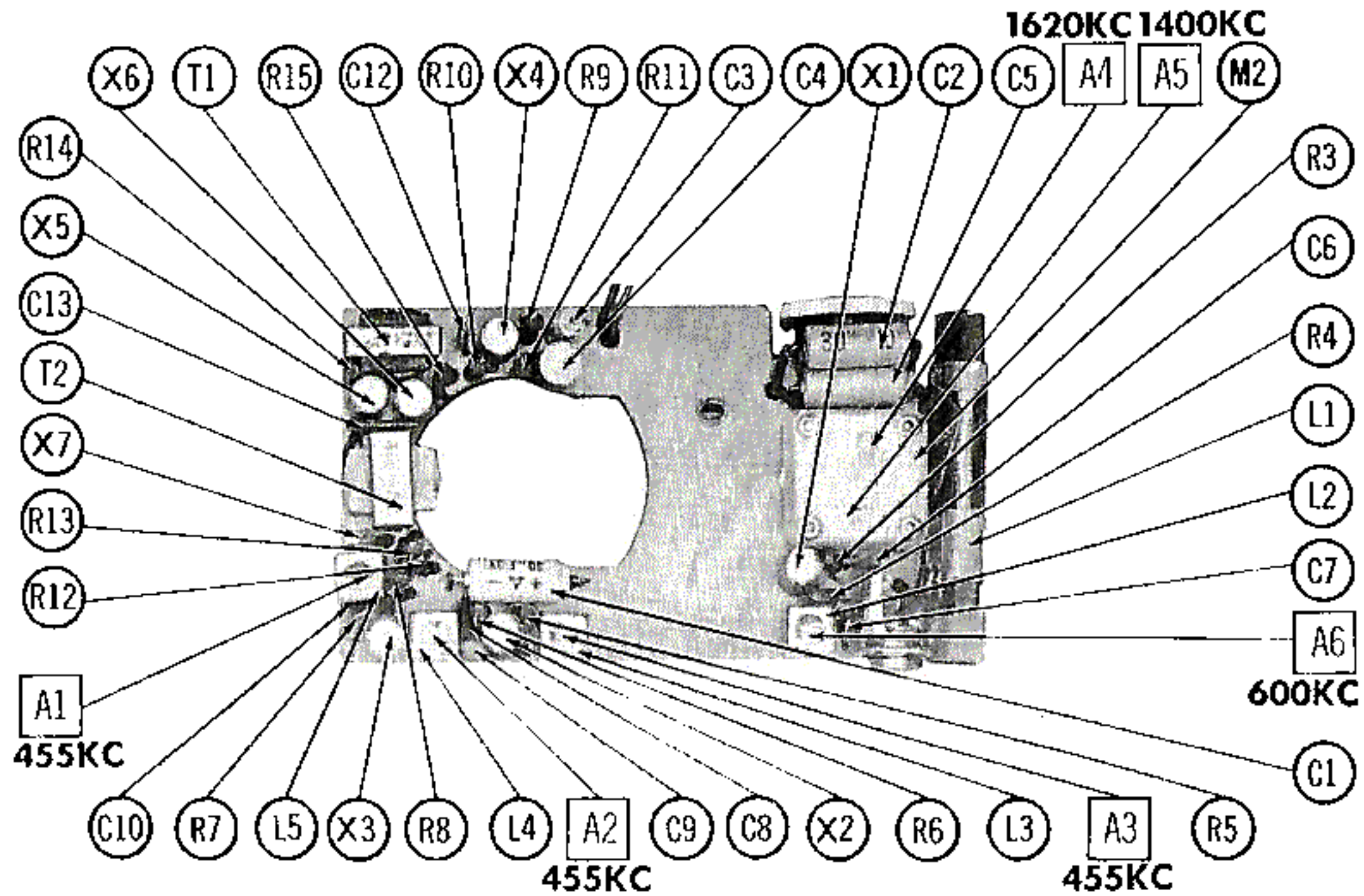
	SIGNAL GENERATOR FREQUENCY	RADIO DIAL SETTING	INDICATOR	ADJUST	REMARKS
1.	455KC (400v Mod.)	Tuning gang fully open.	Output Meter across voice coil.	A1, A2, A3	Adjust for maximum. Repeat as required.
2.	1620KC	"	"	A4	Adjust for maximum.
3.	600KC	Tune to Signal.	"	A5	Rock tuning gang and adjust for maximum. Repeat steps 2 and 3.
4.	1400KC	"	"	A6	Adjust for maximum.

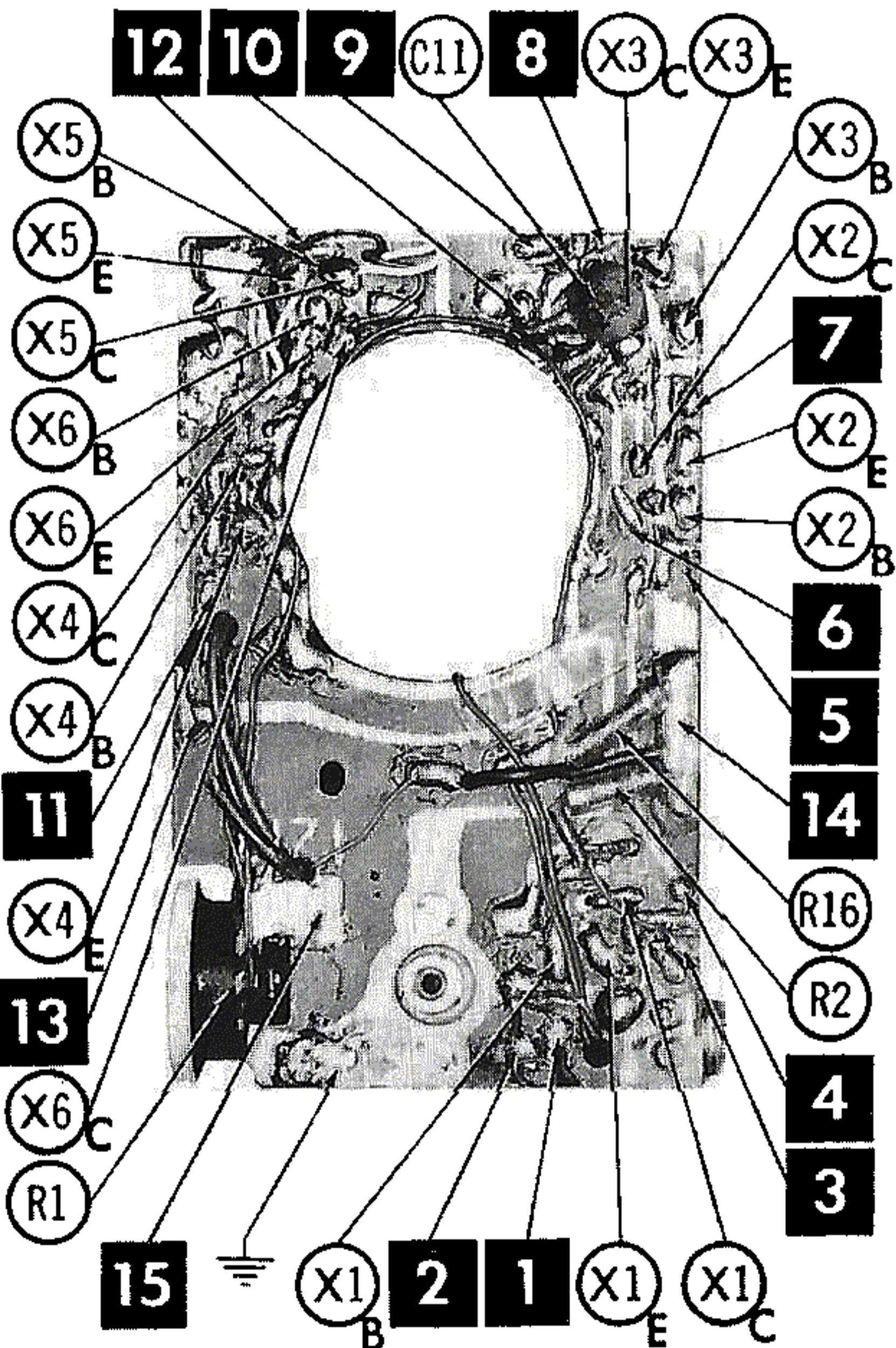


1. Voltage measurements taken with vacuum tube voltmeter.
2. All controls set for normal operation, no signal applied.
3. Measured values are from socket pin or terminal to common ground.
4. All terminals viewed from bottom unless otherwise designated.
5. Numbers assigned to terminals may not be found on the unit.
6. Supply voltage maintained at rated value for voltage readings.
7. Resistance measurements not given because of the wide variation in internal resistance of transistor.

A PHOTOFAC STANDARD NOTATION SCHEMATIC
with **CIRCUITRACE**
©Howard W. Sams & Co., Inc. 1963

AIRLINE MODEL
GEN-1213A





E-EMITTER B-BASE C-COLLECTOR

TRANSISTORS

ITEM No.	ORIG. TYPE	USE	REPLACEMENT DATA			NOTES
			DELCO PART No.	GENERAL ELECTRIC PART No.	RCA PART No.	
X1	2SA30	Converter	DS25	GE-1		PNP PNP PNP PNP PNP } Matched Pair
X2	2SA31	1st IF Amplifier	DS25	GE-1		
X3	2SA31	2nd IF Amplifier	DS25	GE-1		
X4	2SB32	Driver	DS26	GE-2	2N408	
X5	2SB33	Output	DS26	GE-2	2N408	
X6	2SB33	Output	DS26	GE-2	2N408	

POWER RECTIFIERS & SIGNAL DIODES

ITEM No.	CURRENT RATING (Measured)	ORIGINAL Part or Type No.	RECTIFIERS		DIODES	NOTES
			RCA PART No.	SARKES TARZIAN PART No.		
X7		J2447				Detector (INA4G)

ELECTROLYTIC CAPACITORS

ITEM No.	RATING		AIRLINE PART No.	REPLACEMENT DATA					
	CAP.	VOLT.		AEROVOX PART No.	CORNELL-DUBILIER PART No.	GENERAL ELECTRIC PART No.	MALLORY PART No.	PYRAMID PART No.	SPRAGUE PART No.
C1	30	3	J3236	PTT10	NLW25-3	MT1-10	TT3X25	MLV30-6	TE-1055
C2	30	10	J322	PTT43	NLW25-10	MT1-10	TT10X30	MLV25-10	TE-1118
C3	5	6	J3212	PTT21	NLW5-15	MT1-3	TT8X5	MLV5-6	TE-1084
C4	30	3	J3236	BCD3025	ECPB412	MT1-10	TT3X25	MLV30-8	TE-1055
C5	30	10	J322	PTT43	NLW25-10	MT1-10	TT10X30	MLV25-10	TE-1118

FIXED CAPACITORS

ITEM No.	RATING	REMARKS	REPLACEMENT DATA					
			AEROVOX PART No.	CENTRALAB PART No.	CORNELL-DUBILIER PART No.	ELMENCO PART No.	MALLORY PART No.	SPRAGUE PART No.
C6	.01		TTD-01	DM-103	H05S1	CCD-103	TA-110	TG-S10
C7	.01		TTD-01	DM-103	H05S1	CCD-103	TA-110	TG-S10
C8	.05		TTD-05	DDA-503	H05S5			TG-S50
C9	5		DI-5	DD-050	L10V5	CCD-050	GP550	10TS-V50
C10	.05		TTD-05	DDA-503	H05S5			TG-S50
C11	.05		TTD-05	DDA-503	H05S5			TG-S50
C12	.005		TTD-005	DM-502	H05D5	CCD-502	TA-250	TG-D50
C13	.04	#J332						

Airline Part Number.

CONTROLS

All wattages 1/2 watt, or less, unless otherwise listed.

ITEM No.	USE	RESIST-ANCE	REPLACEMENT DATA				
			AIRLINE PART No.	CENTRALAB PART No.	CLAROSTAT PART No.	CTS-IRC PART No.	MALLORY PART No.
R1	Volume & Switch	5000Ω	J2512				

RESISTORS

All wattages 1/2 watt, or less, unless otherwise listed.

ITEM No.	RATING	REPLACEMENT DATA			ITEM No.	RATING	REPLACEMENT DATA		
		IRC PART No.	WORKMAN PART No.	REMARKS			IRC PART No.	WORKMAN PART No.	REMARKS
R2	40K 5%				R9	40K 5%			#J2448
R3	6000Ω 5%				R10	6000Ω 5%			
R4	2000Ω 5%				R11	1000Ω 5%			
R5	50K 5%				R12	225Ω Cold			
R6	1000Ω 5%				R13	300Ω 5%			
R7	750Ω 5%				R14	8000Ω 5%			
R8	3000Ω 5%				R15	10Ω			
					R16	150Ω 5%			

Airline Part Number.

D DESCRIPTION

COILS (RF-IF)

ITEM No.	USE	REPLACEMENT DATA					NOTES
		AIRLINE PART No.	Merit PART No.	Miller PART No.	Stancor PART No.	Workman PART No.	
L1	Loop Bar	J6014					
L2	Osc.	J6132					
L3	1st IF	J6231					
L4	2nd IF	J6232					
L5	3rd IF	J6233	BC-571				

TRANSFORMER (DRIVER)

ITEM No.	TURNS RATIO		REPLACEMENT DATA				NOTES
	PRI.	SEC.	AIRLINE PART No.	MERIT PART No.	STANCOR PART No.	THORDARSON PART No.	
T1			J1121				

TRANSFORMER (AUDIO OUTPUT)

ITEM No.	IMPEDANCE		REPLACEMENT DATA					NOTES
	PRI.	SEC.	AIRLINE PART No.	Merit PART No.	Stancor PART No.	Thordarson PART No.	Triad PART No.	
T2	800Ω CT	6-8Ω	J1122					

SPEAKER

ITEM No.	TYPE			REPLACEMENT DATA		NOTES
	SIZE	FIELD	V. C. IMP.	AIRLINE PART No.	QUAM PART No.	
SP1	2"	PM	6-8Ω	J1013		

BATTERIES

ITEM No.	VOLTAGE	AIRLINE PART No.	REPLACEMENT DATA			NOTES
			BURGESS	EVEREADY	MALLORY	
M1	9V	124	2U6	216	M-1604	

MISCELLANEOUS

ITEM No.	PART NAME	AIRLINE PART No.	NOTES
M2	Tuning Cap.	J3517	2 Gang

CABINETS & CABINET PARTS

(When Ordering Cabinets & Cabinet Parts, Specify Model, Chassis & Color)

NAME	PART NO.	DESCRIPTION
Knob	J5032	Dial
Knob	J5033	Volume
Cabinet	J981	Complete
Cabinet	J7045	Back

WIRING DATA

General-use Unshielded Hook-up Wire	Use BELDEN No.	8530 (Solid 22AWG)	Available
		8524 (Stranded 22AWG)	in
		8570 (Stranded 26AWG)	12 Colors